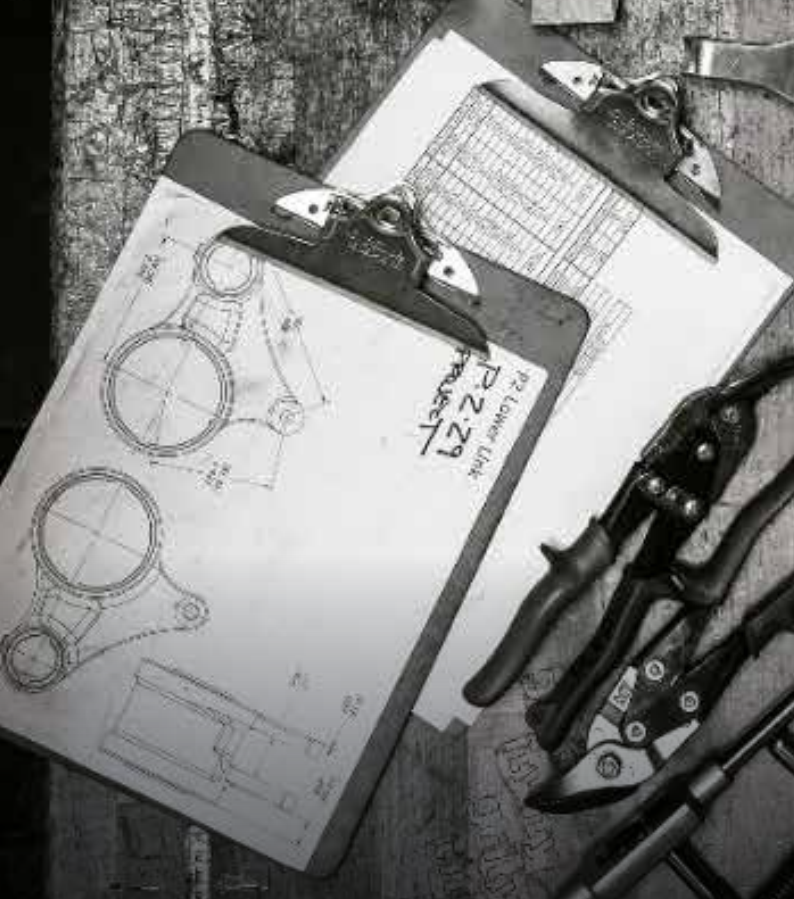


**INTENSE**  
**TAZER MX**

**PARTS**  
**EUROPE**



**E-BIKE**  
**SPARE PARTS**



# TAZER MX PRO CF

## DARK GREY



## FULL BUILD SPECS

<b>Frame</b>	Tazer Performance E Monocoque Carbon Frame. Optimized Layup Carbon
<b>Travel</b>	155 mm (6,1")
<b>Motor</b>	Shimano Steps EP8
<b>Battery</b>	BT-E8010, for Steps, 504 Wh. Battery Lock w/2 Keys
<b>Display</b>	Shimano Steps LCD, Bluetooth Compatible
<b>Fork</b>	Öhlins DH38 Race Fork, 170 mm Travel
<b>Shock</b>	Öhlins TTX22M Coil
<b>Headset</b>	zs49/28,6 Top zs56/30
<b>Shifters</b>	Shimano SLX, 12 -speed
<b>Derailleur</b>	Shimano SLX, 12 -speed
<b>Crankset</b>	E*Thirteen E*spec 34T 165 mm Boost
<b>Pedals</b>	Black Wellgo
<b>Chain</b>	Shimano Deore, 12 speed
<b>Cassette</b>	Shimano Deore10-51, 12 -speed
<b>Brakes</b>	Magura MT7 Pro (4 Piston) Hydraulic Disc, 203 mm Front and Rear
<b>Wheelset</b>	E*Thirteen E*spec Alloy Rim 30 mm Rim Width x 29" Front / 35 mm Rim Width x 27,5" Rear
<b>Tires</b>	29 x 2,60, Minion DHR II, 120TPI, 3CMAXX Terra/EXO+/TR Front 27,5 x 2,8, Minion DHR II, 120TPI, 3CMAXX Terra/EXO+/TR Rear
<b>Handlebar</b>	Intense Recon 35 mm OD x 800 mm Wide, 30 mm Rise
<b>Stem</b>	Intense Direct Mount 35 mm OD x 50 mm Length
<b>Grips</b>	Odi Elite Flow
<b>Seatpost</b>	Intense Recon Dropper Post - 125 mm Length (S/M), 150 mm Length (L/XL)
<b>Seat</b>	SDG Bel-Air w/ Cr-Mo Rails
<b>Color</b>	Grey (Gloss Finish)
<b>Sizes</b>	S/M, L/XL
<b>Weight (Med)</b>	20,45 kg / 45,08 lbs w/o Battery • 23,1 kg / 50,9 lbs Inc. Battery

# TAZER MX PRO CF // DARK GREY

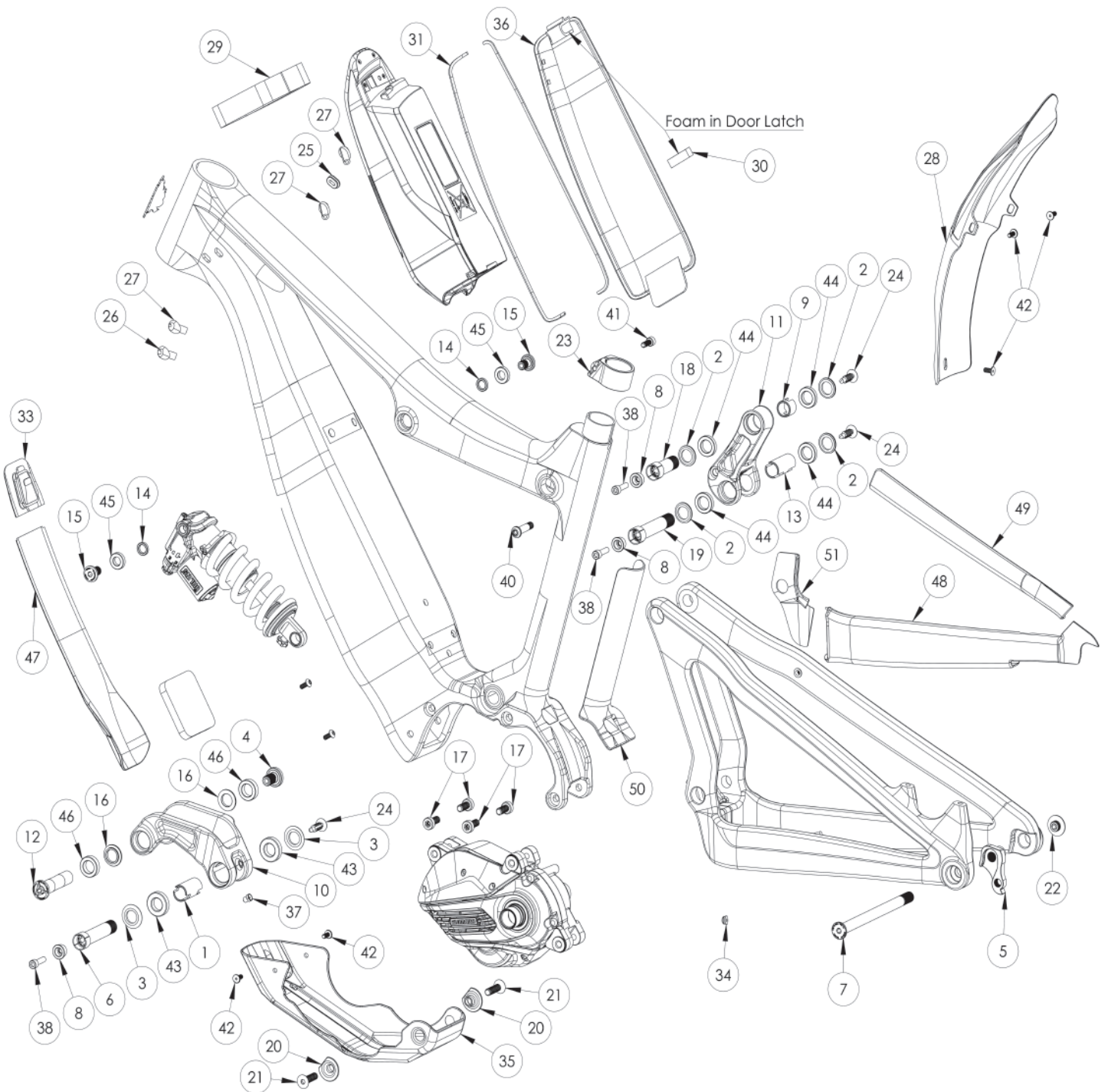
DESCRIPTION	OEM		ALTERNATIVES	
	DESCRIPTION	PART NUMBER	DESCRIPTION	PART NUMBER
Handlbar 800 mm	-	-	Renthal FatBar 35; Rise 30 mm	<b>0601-5414</b>
Stem	-	-	Renthal Integra 35 - 50 mm	<b>0630-2792</b>
Grip	ODI Elite Motion Lock-On	<b>0630-3064</b>	Renthal Ultra Tacky Lock-On	<b>0630-2708</b>
Saddle	-	-	Selle Royal ON	<b>0814-0013</b>
Seatpost 125 mm S/M	-	-	Crankbrothers Highline 7	<b>0820-0172</b>
Seatpost 150 mm L/XL	-	-	Crankbrothers Highline 7	<b>0820-0173</b>
Seatpost Remote	-	-	Crankbrothers Highline	<b>0820-0174</b>
Brake Kit Left	-	-	Shimano XTR	<b>4950-0091</b>
Brake Kit Right	-	-	Shimano XTR	<b>4950-0092</b>
Brake disc front/Rear 203 mm - 6 bolts	-	-	Galfer Shark	<b>1711-2008</b>
Brake Pads Front/Rear	-	-	Galfer E-Bike	<b>1720-0780</b>
Shifter	Shimano SLX	<b>4950-0069</b>	-	-
Cable shifter Kit	-	-	Shimano XTR	<b>4950-0078</b>
Derailleur	-	-	Shimano XT	<b>1270-0002</b>
Cassette 12S - 11-51T	Shimano SLX	<b>1215-0006</b>	Shimano XT	<b>1215-0007</b>
Chain ring	E-Thirteen 34T	<b>1214-0009</b>	-	-
Chain	Shimano SLX	<b>1220-0467</b>	-	-
Crank 165 mm	E-Thirteen E-Spec Plus	<b>4950-0054</b>	E-Thirteen E-Spec Plus Carbon	<b>4950-0058</b>
Motor cover left	Shimano	<b>0506-1902</b>	-	-
Motor cover bottom	Shimano	<b>0506-1903</b>	-	-
Display	Shimano	<b>2210-0624</b>	-	-
Switch riding mode	Shimano	<b>2210-0623</b>	-	-
Speed Sensor	Shimano	<b>2210-0626</b>	-	-
Battery	Shimano 504 Wh	<b>2113-0891</b>	-	-
Wheel Front 29"	-	-	-	-
Wheel Rear 27,5"	-	-	Crankbrother Synthesis E-MTB	<b>0241-0004</b>
Tire Front 29 x 2,60	-	-	Michelin E-Wild	<b>0344-0001</b>
Tire Rear 27,5 x 2,80	-	-	Michelin E-Wild	<b>0344-0002</b>
Shock Spring S/M	Öhlins 480 LBS	<b>1312-0932</b>	-	-
Shock Spring L/XL	Öhlins 548 LBS	<b>1312-0935</b>	-	-

# TAZER MX PRO CF

DARK GREY



## EXPLODED VIEW AND PARTS



ITEM NO.	DESCRIPTION	PART NUMBER	WHAT IS INCLUDED
1	Bearing Spacer	4950-0006	1; 43; 46
2	Bearing Cap	4950-0014	2; 8; 18; 19; 24; 38
3	Bearing Cap	4950-0013	3; 4; 6; 8; 12; 16; 24; 37; 38
4	Pivot Bolt	4950-0013	3; 4; 6; 8; 12; 16; 24; 37; 38
5	Hanger	4950-0012	5; 22
6	Pivot Bolt	4950-0013	3; 4; 6; 8; 12; 16; 24; 37; 38
7	Rear Axle	4950-0003	7
8	Cone Adjuster	4950-0013	3; 4; 6; 8; 12; 16; 24; 37; 38
		4950-0014	2; 8; 18; 19; 24; 38
9	Bearing Spacer	4950-0007	9; 13; 44; 45
10	Lower Link	4950-0015	10 + bearings
11	Upper Link	4950-0016	11 + bearings
12	Axle Lower	4950-0013	3; 4; 6; 8; 12; 16; 24; 37; 38
13	Bearing Spacer	4950-0007	9; 13; 44; 45
14,1	Spacer S/M	4950-0020	14; 15; 40
14,2	Spacer L/XL	4950-0028	14; 15; 40
15,1	Shock Bolt S/M	4950-0020	14; 15; 40
15,2	Shock Bolt L/XL	4950-0028	14; 15; 40
16	Bearing Spacer	4950-0013	3; 4; 6; 8; 12; 16; 24; 37; 38
17	Drive Unit Bolt	4950-0017	17; 20; 21
18	Pivot Bolt	4950-0014	2; 8; 18; 19; 24; 38
19	Pivot Bolt	4950-0014	2; 8; 18; 19; 24; 38
20	Spacer	4950-0017	17; 20; 21
21	FHCS M8 x 30	4950-0017	17; 20; 21
22	Hanger Bolt	4950-0012	5; 22
23	Seat Clamp	4950-0019	23; 41
24	Plug	4950-0013	3; 4; 6; 8; 12; 16; 24; 37; 38
		4950-0014	2; 8; 18; 19; 24; 38
25	Cable Guide Plug	4950-0008	25; 26; 27
26	Cable Guide Plug	4950-0008	25; 26; 27
27	Cable Guide Plug	4950-0008	25; 26; 27
28	Rear Fender	4950-0009	28; 42
29	Battery Pull Strap	4950-0005	29
30	Foam Pad	4950-0509	30; 31; 36
31	Gasket	4950-0509	30; 31; 36
33	Battery Charge Window	4950-0010	33; 34; 47; 48; 49; 50; 51
34	Grommet	4950-0010	33; 34; 47; 48; 49; 50; 51
35	Skid Plate	4950-0022	35
36	Battery Door	4950-0509	30; 31; 36
37	Zerk Fitting	4950-0013	3; 4; 6; 8; 12; 16; 24; 37; 38
38	SHCS M6 x 22	4950-0013	3; 4; 6; 8; 12; 16; 24; 37; 38
		4950-0014	2; 8; 18; 19; 24; 38
40	SHCS M8 x 35	4950-0020	14; 15; 40
		4950-0028	14; 15; 40
41	SHCS M6 x 18	4950-0019	23; 41
42	M5 X 11	4950-0009	28; 42
43	Bearing 7902	4950-0006	1; 43; 46
44	Bearing 6802	4950-0007	9; 13; 44; 45
45	Bearing 6800	4950-0007	9; 13; 44; 45
46	Bearing 3802	4950-0006	1; 43; 46
47	Flak Guard	4950-0010	33; 34; 47; 48; 49; 50; 51
48	Flak Guard	4950-0010	33; 34; 47; 48; 49; 50; 51
49	Flak Guard	4950-0010	33; 34; 47; 48; 49; 50; 51
50	Flak Guard	4950-0010	33; 34; 47; 48; 49; 50; 51
51	Flak Guard	4950-0010	33; 34; 47; 48; 49; 50; 51



# TAZER MX PRO CF

## WHITE



## FULL BUILD SPECS

<b>Frame</b>	Carbon Fiber Front and Rear Triangle with Internal Cable Routing
<b>Fork</b>	Öhlins DH38 Race Fork, Dual Crown, 170 mm Travel, Air Spring System
<b>Shock</b>	Öhlins TTX22M Coil, 155 mm Travel, high/low Speed Compression Adjustment, Rebound Adjustment – Spring 480 lb (S/M size) 548 lb (L/XL size)
<b>Motor</b>	Shimano Steps EP8
<b>Battery</b>	BT-E8010, for Steps, 504Wh. Battery Lock w/2 Keys
<b>Display</b>	Shimano Steps LCD, Bluetooth Compatible
<b>Brakes</b>	Magura MT7 with 203 mm Storm HC Rotors Front and Back
<b>Shifter</b>	Shimano SLX 12-speed
<b>Derailleur</b>	Shimano SLX 12-speed
<b>Cranks</b>	E*thirteen E*spec 34 Tooth Chainring 165 mm Length
<b>Cassette</b>	Shimano Deore 12-speed 11-51 Tooth
<b>Chain</b>	Shimano Deore 12-speed
<b>Wheelset</b>	E*thirteen E*spec Alloy Rim 30 mm Rim Width x 29" Front / 35 mm Rim Width x 27,5" Rear
<b>Hubs</b>	Intense E-specific Alloy Hubs
<b>Tires</b>	Maxxis Minion DHR II Maxx Terra 3C EXO+ 29" x 2,60" Front / 27,5" x 2,8" Rear
<b>Seatpost</b>	Intense Recon Dropper Post – 125 mm Length (S/M) 150 mm Length (L/XL)
<b>Saddle</b>	SDG Bel-Air Saddle
<b>Handlebar</b>	Renthal Fatbar 35, 800 mm Width, 30 mm Rise
<b>Stem</b>	Intense Direct Mount 35 mm OD x 50 mm Length
<b>Grips</b>	Odi Elite Flow
<b>Weight</b>	23,9 kg / 52 lbs 11 oz (Size S/M, Tubeless, with Pedals)

# TAZER MX PRO CF // WHITE

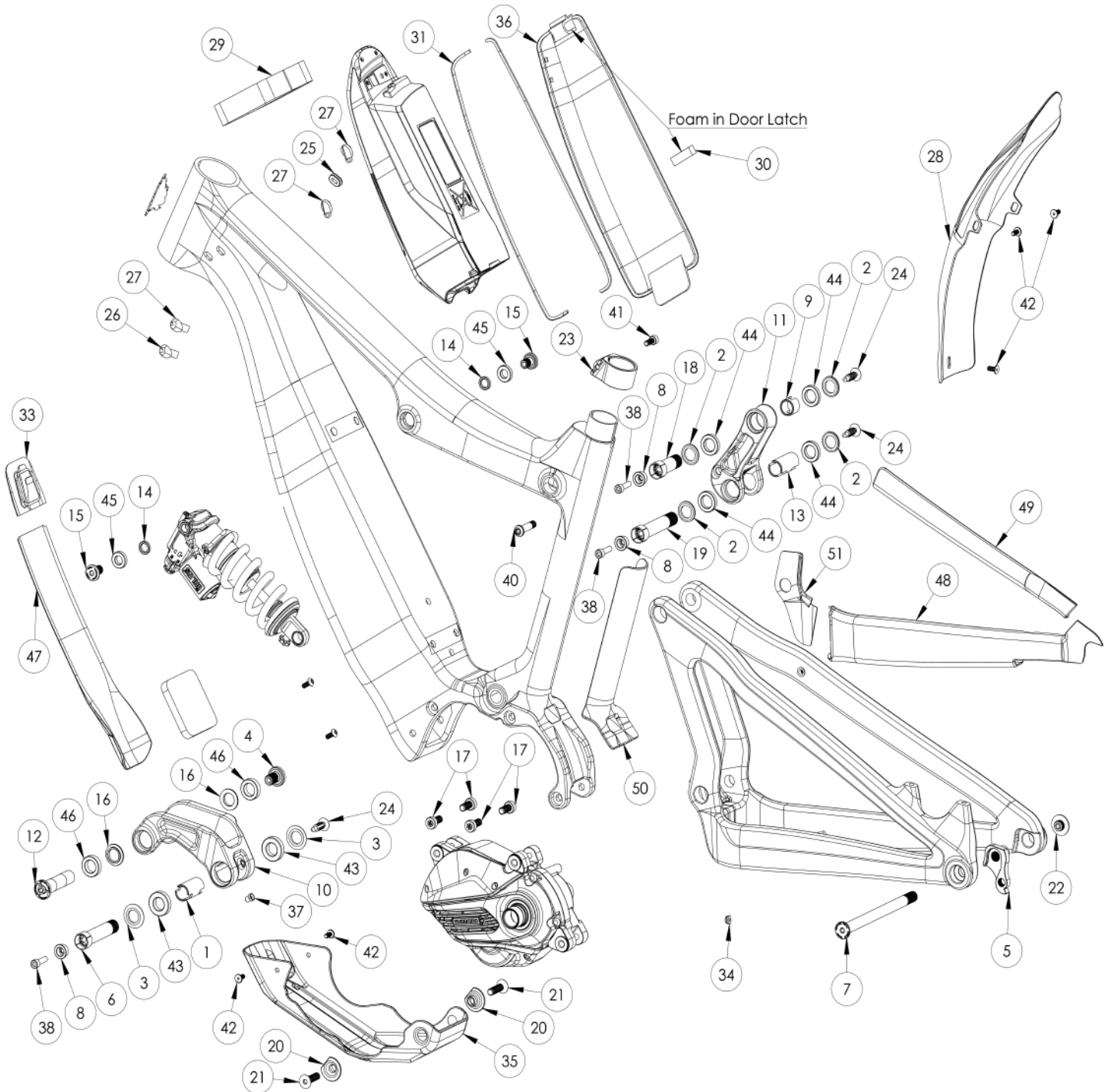
DESCRIPTION	OEM		ALTERNATIVES	
	DESCRIPTION	PART NUMBER	DESCRIPTION	PART NUMBER
Handlbar 800 mm	Renthal FatBar 35; Rise 30 mm	<b>0601-5414</b>	E-Thirteen Race Carbon; Rise 20 mm	<b>0601-5757</b>
Stem	-	-	Renthal Integra 35 - 50 mm	<b>0630-2792</b>
Grip	ODI Elite Motion Lock-On	<b>0630-3064</b>	Renthal Ultra Tacky Lock-On	<b>0630-2708</b>
Saddle	-	-	Selle Royal ON	<b>0814-0013</b>
Seatpost 125 mm S/M	-	-	Crankbrothers Highline 7	<b>0820-0172</b>
Seatpost 150 mm L/XL	-	-	Crankbrothers Highline 7	<b>0820-0173</b>
Seatpost Remote	-	-	Crankbrothers Highline	<b>0820-0174</b>
Brake Kit Left	-	-	Shimano XTR	<b>4950-0091</b>
Brake Kit Right	-	-	Shimano XTR	<b>4950-0092</b>
Brake disc front/Rear 203 mm - 6 bolts	-	-	Galfer Shark	<b>1711-2008</b>
Brake Pads Front/Rear	-	-	Galfer E-Bike	<b>1720-0780</b>
Shifter	Shimano SLX	<b>4950-0069</b>	-	-
Cable shifter Kit	-	-	Shimano XTR	<b>4950-0078</b>
Derailleur	-	-	Shimano XT	<b>1270-0002</b>
Cassette 12S - 11-51T	Shimano SLX	<b>1215-0006</b>	Shimano XT	<b>1215-0007</b>
Chain ring	E-Thirteen 34T	<b>1214-0009</b>	-	-
Chain	Shimano SLX	<b>1220-0467</b>	-	-
Crank 165 mm	E-Thirteen E-Spec Plus	<b>4950-0054</b>	E-Thirteen E-Spec Plus Carbon	<b>4950-0058</b>
Motor cover left	Shimano	<b>0506-1902</b>	-	-
Motor cover bottom	Shimano	<b>0506-1903</b>	-	-
Display	Shimano	<b>2210-0624</b>	-	-
Switch riding mode	Shimano	<b>2210-0623</b>	-	-
Speed Sensor	Shimano	<b>2210-0626</b>	-	-
Battery	Shimano 504 Wh	<b>2113-0891</b>	-	-
Wheel Front 29"	-	-	-	-
Wheel Rear 27,5"	-	-	Crankbrother Synthesis E-MTB	<b>0241-0004</b>
Tire Front 29 x 2,60	-	-	Michelin E-Wild	<b>0344-0001</b>
Tire Rear 27,5 x 2,80	-	-	Michelin E-Wild	<b>0344-0002</b>
Shock Spring S/M	Öhlins 480 LBS	<b>1312-0932</b>	-	-
Shock Spring L/XL	Öhlins 548 LBS	<b>1312-0935</b>	-	-

# TAZER MX PRO CF

## WHITE



# EXPLODED VIEW AND PARTS





ITEM NO.	DESCRIPTION	PART NUMBER	WHAT IS INCLUDED
1	Bearing Spacer	4950-0006	1; 43; 46
2	Bearing Cap	4950-0014	2; 8; 18; 19; 24; 38
3	Bearing Cap	4950-0013	3; 4; 6; 8; 12; 16; 24; 37; 38
4	Pivot Bolt	4950-0013	3; 4; 6; 8; 12; 16; 24; 37; 38
5	Hanger	4950-0012	5; 22
6	Pivot Bolt	4950-0013	3; 4; 6; 8; 12; 16; 24; 37; 38
7	Rear Axle	4950-0003	7
8	Cone Adjuster	4950-0013	3; 4; 6; 8; 12; 16; 24; 37; 38
		4950-0014	2; 8; 18; 19; 24; 38
9	Bearing Spacer	4950-0007	9; 13; 44; 45
10	Lower Link	4950-0015	10 + bearings
11	Upper Link	4950-0016	11 + bearings
12	Axle Lower	4950-0013	3; 4; 6; 8; 12; 16; 24; 37; 38
13	Bearing Spacer	4950-0007	9; 13; 44; 45
14,1	Spacer S/M	4950-0020	14; 15; 40
14,2	Spacer L/XL	4950-0028	14; 15; 40
15,1	Shock Bolt S/M	4950-0020	14; 15; 40
15,2	Shock Bolt L/XL	4950-0028	14; 15; 40
16	Bearing Spacer	4950-0013	3; 4; 6; 8; 12; 16; 24; 37; 38
17	Drive Unit Bolt	4950-0017	17; 20; 21
18	Pivot Bolt	4950-0014	2; 8; 18; 19; 24; 38
19	Pivot Bolt	4950-0014	2; 8; 18; 19; 24; 38
20	Spacer	4950-0017	17; 20; 21
21	FHCS M8 x 30	4950-0017	17; 20; 21
22	Hanger Bolt	4950-0012	5; 22
23	Seat Clamp	4950-0019	23; 41
24	Plug	4950-0013	3; 4; 6; 8; 12; 16; 24; 37; 38
		4950-0014	2; 8; 18; 19; 24; 38
25	Cable Guide Plug	4950-0008	25; 26; 27
26	Cable Guide Plug	4950-0008	25; 26; 27
27	Cable Guide Plug	4950-0008	25; 26; 27
28	Rear Fender	4950-0009	28; 42
29	Battery Pull Strap	4950-0005	29
30	Foam Pad	4950-0510	30; 31; 36
31	Gasket	4950-0510	30; 31; 36
33	Battery Charge Window	4950-0010	33; 34; 47; 48; 49; 50; 51
34	Grommet	4950-0010	33; 34; 47; 48; 49; 50; 51
35	Skid Plate	4950-0022	35
36	Battery Door	4950-0510	30; 31; 36
37	Zerk Fitting	4950-0013	3; 4; 6; 8; 12; 16; 24; 37; 38
38	SHCS M6 x 22	4950-0013	3; 4; 6; 8; 12; 16; 24; 37; 38
		4950-0014	2; 8; 18; 19; 24; 38
40	SHCS M8 x 35	4950-0020	14; 15; 40
		4950-0028	14; 15; 40
41	SHCS M6 x 18	4950-0019	23; 41
42	M5 X 11	4950-0009	28; 42
43	Bearing 7902	4950-0006	1; 43; 46
44	Bearing 6802	4950-0007	9; 13; 44; 45
45	Bearing 6800	4950-0007	9; 13; 44; 45
46	Bearing 3802	4950-0006	1; 43; 46
47	Flak Guard	4950-0010	33; 34; 47; 48; 49; 50; 51
48	Flak Guard	4950-0010	33; 34; 47; 48; 49; 50; 51
49	Flak Guard	4950-0010	33; 34; 47; 48; 49; 50; 51
50	Flak Guard	4950-0010	33; 34; 47; 48; 49; 50; 51
51	Flak Guard	4950-0010	33; 34; 47; 48; 49; 50; 51

# TAZER MX PRO AF

## DARK GREY



## FULL BUILD SPECS

<b>Frame</b>	6061-T6 Alloy Front and Rear Triangle with Internal Cable Routing
<b>Fork</b>	Öhlins RXF 38 M2 FORK, Single Crown, 170 mm Travel, Air Spring System
<b>Shock</b>	Öhlins TTX22M Coil, 155 mm Travel, high/low Speed Compression Adjustment, Rebound Adjustment - Spring 480 lb (S/M) and 548 lb (L/XL)
<b>Motor</b>	Shimano Steps EP800
<b>Battery</b>	Shimano BT-E8036 - 630 WH Battery Lock w/2 Keys
<b>Display</b>	Shimano Steps LCD, Bluetooth Compatible
<b>Brakes</b>	TRP Trail EVO HD-M843
<b>Shifter</b>	TRP EVO 12 12 sp
<b>Derailleur</b>	TRP EVO 12 12 sp
<b>Cranks</b>	E*THIRTEEN E*spec Plus 165 mm, 34T
<b>Cassette</b>	Shimano Deore CS-6100, 12-SPEED (Hyperglide+), 10-51 Tooth
<b>Chain</b>	KMC E12 12 sp
<b>Wheelset</b>	E*Thirteen E*spec Alloy Rim 30 mm Rim Width x 29" Front / 35 mm Rim Width x 27,5" Rear
<b>Hubs</b>	Intense E-specific Alloy Hubs
<b>Tires</b>	Pirelli Scorpion™ E-MTB S 29 x 2,60" / Pirelli Scorpion™ E-MTB R 27,5 x 2,80"
<b>Seatpost</b>	Intense Recon Dropper Post - 125 mm Length (S/M) 150 mm Length (L/XL)
<b>Saddle</b>	SDG Bel-Air V3
<b>Handlebar</b>	Renthal Fatbar 35 800 mm, 30 mm, Rise
<b>Stem</b>	Intense Recon 35 mm OD x 45 mm Length
<b>Grips</b>	Odi Elite Flow
<b>Weight</b>	26,4 kg / 52 lb 91 oz (Size S/M, Tubeless, with Pedals)

# TAZER MX PRO AF // DARK GREY

DESCRIPTION	OEM		ALTERNATIVES	
	DESCRIPTION	PART NUMBER	DESCRIPTION	PART NUMBER
Handlbar 800 mm	Renthal FatBar 35; Rise 30 mm	<b>0601-5414</b>	E-Thirteen Race Carbon; Rise 20 mm	<b>0601-5757</b>
Stem	-	-	Renthal Apex 35 - 40 mm	<b>0630-2747</b>
Grip	ODI Elite Motion Lock-On	<b>0630-3064</b>	Renthal Ultra Tacky Lock-On	<b>0630-2708</b>
Saddle	-	-	Selle Royal ON	<b>0814-0013</b>
Seatpost 125 mm S/M	-	-	Crankbrothers Highline 7	<b>0820-0172</b>
Seatpost 150 mm L/XL	-	-	Crankbrothers Highline 7	<b>0820-0173</b>
Seatpost Remote	-	-	Crankbrothers Highline	<b>0820-0174</b>
Brake Kit Left	TRP Trail Evo	<b>1701-0765</b>	Shimano XTR	<b>4950-0091</b>
Brake Kit Right	TRP Trail Evo	<b>1701-0766</b>	Shimano XTR	<b>4950-0092</b>
Brake disc front/Rear 203 mm - 6 bolts	-	-	Galfer Shark	<b>1711-2008</b>
Brake Pads Front/Rear	-	-	Galfer E-Bike	<b>1720-0766</b>
Shifter	-	-	Shimano SLX	<b>4950-0069</b>
Cable shifter Kit	-	-	Shimano XTR	<b>4950-0078</b>
Derailleur	-	-	Shimano XT	<b>1270-0002</b>
Cassette 12S - 11-51T	Shimano SLX	<b>1215-0006</b>	Shimano XT	<b>1215-0007</b>
Chain ring	E-Thirteen 34T	<b>1214-0009</b>	-	-
Chain	-	-	Shimano SLX	<b>1220-0467</b>
Crank 165 mm	E-Thirteen E-Spec Plus	<b>4950-0054</b>	E-Thirteen E-Spec Plus Carbon	<b>4950-0058</b>
Motor cover left	Shimano	<b>0506-1902</b>	-	-
Motor cover bottom	Shimano	<b>0506-1903</b>	-	-
Display	Shimano	<b>2210-0624</b>	-	-
Switch ON/OFF	Shimano	<b>2210-0627</b>	-	-
Switch riding mode	Shimano	<b>2210-0623</b>	-	-
Speed Sensor	Shimano	<b>2210-0625</b>	-	-
Battery	Shimano 630 Wh	<b>2113-0892</b>	-	-
Wheel Front 29"	-	-	Crankbrother Synthesis E-MTB	<b>0241-0005</b>
Wheel Rear 27,5"	-	-	Crankbrother Synthesis E-MTB	<b>0241-0004</b>
Tire Front 29 x 2,60	Pirelli Scorpion S	<b>0344-0109</b>	Michelin E-Wild	<b>0344-0001</b>
Tire Rear 27,5 x 2,80	Pirelli Scorpion R	<b>0344-0113</b>	Michelin E-Wild	<b>0344-0002</b>
Shock Spring S/M	Öhlins 480 LBS	<b>1312-0932</b>	-	-
Shock Spring L/XL	Öhlins 548 LBS	<b>1312-0935</b>	-	-

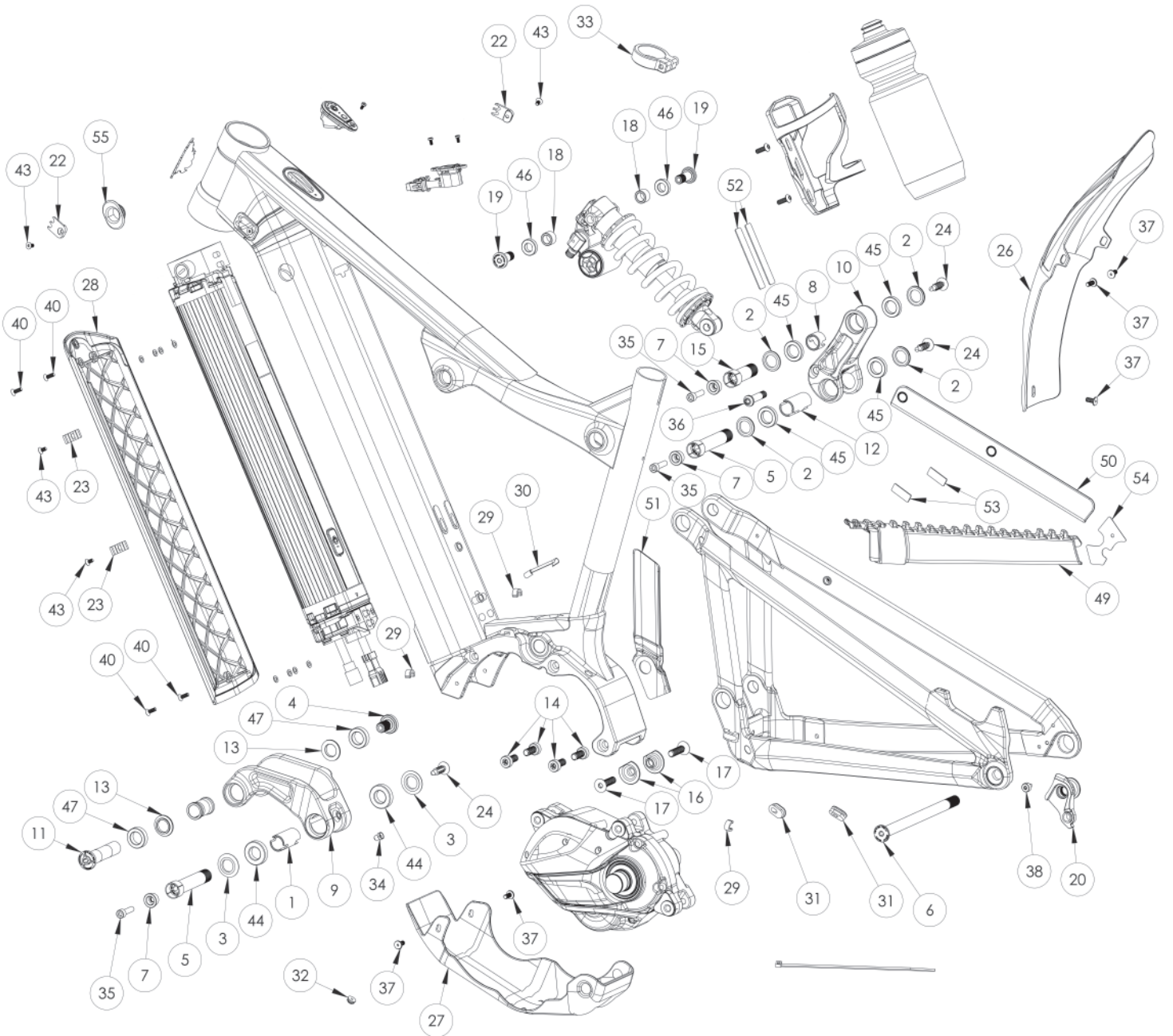


# TAZER MX PRO AF

## DARK GREY



# EXPLODED VIEW AND PARTS



ITEM NO.	DESCRIPTION	PART NUMBER	WHAT IS INCLUDED
1	Crush tube	4950-0006	1; 44; 47
2	Bearing Cap 24 mm OD	4950-0014	2; 5; 7; 15; 24; 35
3	Bearing Cap	4950-0013	3; 4; 5; 7; 11; 13; 24; 34; 35
4	Bolt Shoulder	4950-0013	3; 4; 5; 7; 11; 13; 24; 34; 35
5	Bolt Main Pivot	4950-0013 4950-0014	3; 4; 5; 7; 11; 13; 24; 34; 35 2; 5; 7; 15; 24; 35
6	Rear Axle	4950-0003	6
7	Cone Adjuster	4950-0013 4950-0014	3; 4; 5; 7; 11; 13; 24; 34; 35 2; 5; 7; 15; 24; 35
8	Crush Tube M29/Tazer	4950-0007	8; 12; 45; 46
9	Forged Lower Link Tazer	4950-0015	9 + bearings
10	Forged Top Link Tazer	4950-0016	10 + bearings
11	Axle Lower	4950-0013	3; 4; 5; 7; 11; 13; 24; 34; 35
12	Crush Tube Tazer	4950-0007	8; 12; 45; 46
13	Pivot Axle Spacer	4950-0013	3; 4; 5; 7; 11; 13; 24; 34; 35
14	Drive Unit Bolt	4950-0017	14; 16; 17
15	Collet Bolt Top Link	4950-0014	2; 5; 7; 15; 24; 35
16	Skidplate Spacer	4950-0017	14; 16; 17
17	Skidplate Motor Bolt	4950-0017	14; 16; 17
18	Spacer Trunnion Mount	4950-0028	18; 19; 36
19	Trunnion Bolt	4950-0028	18; 19; 36
20	Derailleur Hanger	4930-0005	20; 38
22	Guide Plate	4950-0505	22; 23; 29; 30; 31; 32; 43; 55
23	Cable Guide Clamp	4950-0505	22; 23; 29; 30; 31; 32; 43; 55
24	Push Rivet	4950-0013 4950-0014	3; 4; 5; 7; 11; 13; 24; 34; 35 2; 5; 7; 15; 24; 35
26	Rear Fender	4950-0009	26; 37
27	Skid Plate	4950-0507	27; 37
28	Battery Door	On Demand	
29	Clip Plastic	4950-0505	22; 23; 29; 30; 31; 32; 43; 55
30	Jagwire cable guide	4950-0505	22; 23; 29; 30; 31; 32; 43; 55
31	Cap W/Hole	4950-0505	22; 23; 29; 30; 31; 32; 43; 55
32	Grommet	4950-0505	22; 23; 29; 30; 31; 32; 43; 55
33	Seat Clamp	4950-0508	33
34	Zerk Fitting M6 x 1.0	4950-0013 4950-0014	3; 4; 5; 7; 11; 13; 24; 34; 35 3; 4; 5; 7; 11; 13; 24; 34; 35 2; 5; 7; 15; 24; 35
35	SHCS M6 x 22	4950-0013 4950-0014	3; 4; 5; 7; 11; 13; 24; 34; 35 3; 4; 5; 7; 11; 13; 24; 34; 35 2; 5; 7; 15; 24; 35
36	SHCS M8 x 35	4950-0028	18; 19; 36
38	Hanger Hardware	4930-0005	20; 38
43	FHCS M4 x 0.7	4950-0505	22; 23; 29; 30; 31; 32; 43; 55
44	Bearing 7902	4950-0246	44
45	Bearing 6802	4950-0227	45
46	Bearing 6800	4950-0225	46
47	Bearing 3802	4950-0215	47
49	Flack Guard Chainstay	4950-0506	49; 50; 51; 52; 53; 54
50	Flack Guard Seatstay	4950-0506	49; 50; 51; 52; 53; 54
51	Flack Guard RT. Vert. Strut	4950-0506	49; 50; 51; 52; 53; 54
52	Clear Protector DT Cable	4950-0506	49; 50; 51; 52; 53; 54
53	Clear Protector, RT Cable	4950-0506	49; 50; 51; 52; 53; 54
54	Flack Guard CS	4950-0506	49; 50; 51; 52; 53; 54
55	Key Plug Grommet	4950-0505	22; 23; 29; 30; 31; 32; 43; 55

# TAZER MX PRO AF

## BLACK



## FULL BUILD SPECS

<b>Frame</b>	6061-T6 Alloy Front and Rear Triangle with Internal Cable Routing
<b>Fork</b>	Öhlins RXF 38 M2 FORK, Single Crown, 170 mm Travel, Air Spring System
<b>Shock</b>	Öhlins TTX22M Coil, 155 mm Travel, high/low Speed Compression Adjustment, Rebound Adjustment - Spring 480 lb (S/M) and 548 lb (L/XL)
<b>Motor</b>	Shimano Steps EP800
<b>Battery</b>	Shimano BT-E8036 - 630 WH Battery Lock w/2 Keys
<b>Display</b>	Shimano Steps LCD, Bluetooth Compatible
<b>Brakes</b>	TRP DH-R EVO
<b>Shifter</b>	TRP EVO 12 12 sp
<b>Derailleur</b>	TRP EVO 12 12 sp
<b>Cranks</b>	E*Thirteen E*spec Plus 165 mm, 34T
<b>Cassette</b>	Shimano Deore CS-6100, 12-SPEED (Hyperglide+), 10-51 Tooth
<b>Chain</b>	KMC E12 12 sp
<b>Wheelset</b>	E*Thirteen E*spec Alloy Rim 30 mm Rim Width x 29" Front / 35 mm Rim Width x 27,5" Rear
<b>Hubs</b>	Intense E-specific Alloy Hubs
<b>Tires</b>	Pirelli Scorpion™ E-MTB S 29 x 2,60" / Pirelli Scorpion™ E-MTB R 27,5 x 2,80"
<b>Seatpost</b>	Intense Recon Dropper Post - 125 mm Length (S/M) 150 mm Length (L/XL)
<b>Saddle</b>	SDG Bel-Air V3
<b>Handlebar</b>	Renthal Fatbar 35 800 mm, 30 mm, Rise
<b>Stem</b>	Intense Recon 35 mm OD x 45 mm Length
<b>Grips</b>	Odi Elite Flow
<b>Weight</b>	26,4 kg / 52 lb 91 oz (Size S/M, Tubeless, with Pedals)



# TAZER MX PRO AF // BLACK

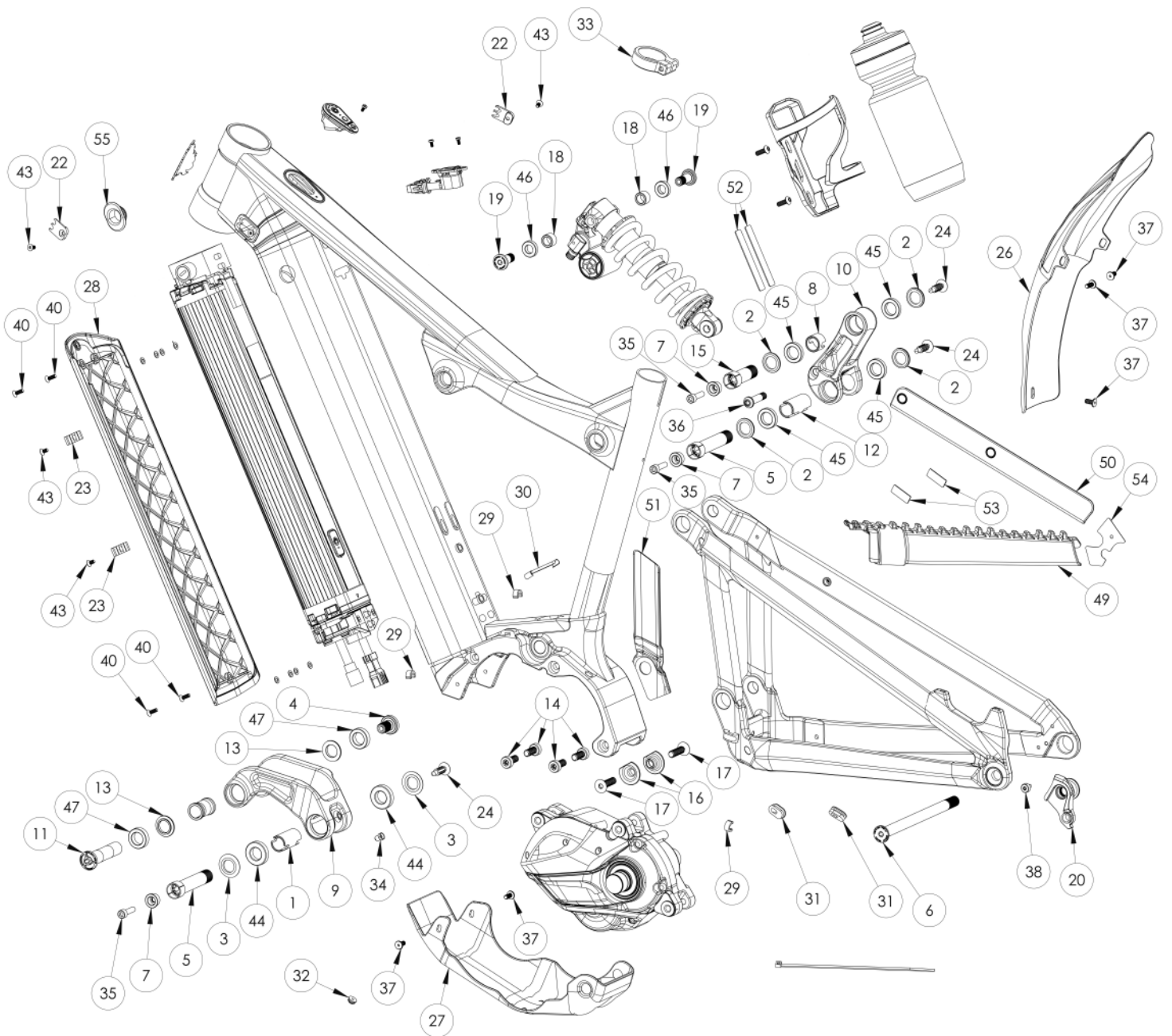
DESCRIPTION	OEM		ALTERNATIVES	
	DESCRIPTION	PART NUMBER	DESCRIPTION	PART NUMBER
Handlbar 800 mm	Renthal FatBar 35; Rise 30 mm	<b>0601-5414</b>	E-Thirteen Race Carbon; Rise 20 mm	<b>0601-5757</b>
Stem	-	-	Renthal Apex 35 - 40 mm	<b>0630-2747</b>
Grip	ODI Elite Motion Lock-On	<b>0630-3064</b>	Renthal Ultra Tacky Lock-On	<b>0630-2708</b>
Saddle	-	-	Selle Royal ON	<b>0814-0013</b>
Seatpost 125 mm S/M	-	-	Crankbrothers Highline 7	<b>0820-0172</b>
Seatpost 150 mm L/XL	-	-	Crankbrothers Highline 7	<b>0820-0173</b>
Seatpost Remote	-	-	Crankbrothers Highline	<b>0820-0174</b>
Brake Kit Left	TRP DH-R Evo	<b>1701-0763</b>	Shimano XTR	<b>4950-0091</b>
Brake Kit Right	TRP DH-R Evo	<b>1701-0764</b>	Shimano XTR	<b>4950-0092</b>
Brake disc front/Rear 203 mm - 6 bolts	-	-	Galfer Shark	<b>1711-2008</b>
Brake Pads Front/Rear	-	-	Galfer E-Bike	<b>1720-0766</b>
Shifter	-	-	Shimano SLX	<b>4950-0069</b>
Cable shifter Kit	-	-	Shimano XTR	<b>4950-0078</b>
Derailleur	-	-	Shimano XT	<b>1270-0002</b>
Cassette 12S - 11-51T	Shimano SLX	<b>1215-0006</b>	Shimano XT	<b>1215-0007</b>
Chain ring	E-Thirteen 34T	<b>1214-0009</b>	-	-
Chain	-	-	Shimano SLX	<b>1220-0467</b>
Crank 165 mm	E-Thirteen E-Spec Plus	<b>4950-0054</b>	E-Thirteen E-Spec Plus Carbon	<b>4950-0058</b>
Motor cover left	Shimano	<b>0506-1902</b>	-	-
Motor cover bottom	Shimano	<b>0506-1903</b>	-	-
Display	Shimano	<b>2210-0624</b>	-	-
Switch ON/OFF	Shimano	<b>2210-0627</b>	-	-
Switch riding mode	Shimano	<b>2210-0623</b>	-	-
Speed Sensor	Shimano	<b>2210-0625</b>	-	-
Battery	Shimano 630 Wh	<b>2113-0892</b>	-	-
Wheel Front 29"	-	-	Crankbrother Synthesis E-MTB	<b>0241-0005</b>
Wheel Rear 27,5"	-	-	Crankbrother Synthesis E-MTB	<b>0241-0004</b>
Tire Front 29 x 2,60	Pirelli Scorpion S	<b>0344-0109</b>	Michelin E-Wild	<b>0344-0001</b>
Tire Rear 27,5 x 2,80	Pirelli Scorpion R	<b>0344-0113</b>	Michelin E-Wild	<b>0344-0002</b>
Shock Spring S/M	Öhlins 480 LBS	<b>1312-0932</b>	-	-
Shock Spring L/XL	Öhlins 548 LBS	<b>1312-0935</b>	-	-

# TAZER MX PRO AF

## BLACK



## EXPLODED VIEW AND PARTS



ITEM NO.	DESCRIPTION	PART NUMBER	WHAT IS INCLUDED
1	Crush tube	4950-0006	1; 44; 47
2	Bearing Cap 24 mm OD	4950-0014	2; 5; 7; 15; 24; 35
3	Bearing Cap	4950-0013	3; 4; 5; 7; 11; 13; 24; 34; 35
4	Bolt Shoulder	4950-0013	3; 4; 5; 7; 11; 13; 24; 34; 35
5	Bolt Main Pivot	4950-0013 4950-0014	3; 4; 5; 7; 11; 13; 24; 34; 35 2; 5; 7; 15; 24; 35
6	Rear Axle	4950-0003	6
7	Cone Adjuster	4950-0013 4950-0014	3; 4; 5; 7; 11; 13; 24; 34; 35 2; 5; 7; 15; 24; 35
8	Crush Tube M29/Tazer	4950-0007	8; 12; 45; 46
9	Forged Lower Link Tazer	4950-0015	9 + bearings
10	Forged Top Link Tazer	4950-0016	10 + bearings
11	Axle Lower	4950-0013	3; 4; 5; 7; 11; 13; 24; 34; 35
12	Crush Tube Tazer	4950-0007	8; 12; 45; 46
13	Pivot Axle Spacer	4950-0013	3; 4; 5; 7; 11; 13; 24; 34; 35
14	Drive Unit Bolt	4950-0017	14; 16; 17
15	Collet Bolt Top Link	4950-0014	2; 5; 7; 15; 24; 35
16	Skidplate Spacer	4950-0017	14; 16; 17
17	Skidplate Motor Bolt	4950-0017	14; 16; 17
18	Spacer Trunnion Mount	4950-0028	18; 19; 36
19	Trunnion Bolt	4950-0028	18; 19; 36
20	Derailleur Hanger	4930-0005	20; 38
22	Guide Plate	4950-0505	22; 23; 29; 30; 31; 32; 43; 55
23	Cable Guide Clamp	4950-0505	22; 23; 29; 30; 31; 32; 43; 55
24	Push Rivet	4950-0013 4950-0014	3; 4; 5; 7; 11; 13; 24; 34; 35 2; 5; 7; 15; 24; 35
26	Rear Fender	4950-0009	26; 37
27	Skid Plate	4950-0507	27; 37
28	Battery Door	On Demand	
29	Clip Plastic	4950-0505	22; 23; 29; 30; 31; 32; 43; 55
30	Jagwire cable guide	4950-0505	22; 23; 29; 30; 31; 32; 43; 55
31	Cap W/Hole	4950-0505	22; 23; 29; 30; 31; 32; 43; 55
32	Grommet	4950-0505	22; 23; 29; 30; 31; 32; 43; 55
33	Seat Clamp	4950-0508	33
34	Zerk Fitting M6 x 1.0	4950-0013 4950-0014	3; 4; 5; 7; 11; 13; 24; 34; 35 3; 4; 5; 7; 11; 13; 24; 34; 35 2; 5; 7; 15; 24; 35
35	SHCS M6 x 22	4950-0013 4950-0014	3; 4; 5; 7; 11; 13; 24; 34; 35 3; 4; 5; 7; 11; 13; 24; 34; 35 2; 5; 7; 15; 24; 35
36	SHCS M8 x 35	4950-0028	18; 19; 36
38	Hanger Hardware	4930-0005	20; 38
43	FHCS M4 x 0.7	4950-0505	22; 23; 29; 30; 31; 32; 43; 55
44	Bearing 7902	4950-0246	44
45	Bearing 6802	4950-0227	45
46	Bearing 6800	4950-0225	46
47	Bearing 3802	4950-0215	47
49	Flack Guard Chainstay	4950-0506	49; 50; 51; 52; 53; 54
50	Flack Guard Seatstay	4950-0506	49; 50; 51; 52; 53; 54
51	Flack Guard RT. Vert. Strut	4950-0506	49; 50; 51; 52; 53; 54
52	Clear Protector DT Cable	4950-0506	49; 50; 51; 52; 53; 54
53	Clear Protector, RT Cable	4950-0506	49; 50; 51; 52; 53; 54
54	Flack Guard CS	4950-0506	49; 50; 51; 52; 53; 54
55	Key Plug Grommet	4950-0505	22; 23; 29; 30; 31; 32; 43; 55





DISTRIBUTED BY

**PARTS  
EUROPE**

PARTS EUROPE GMBH  
CONRAD-RÖNTGEN-STRASSE 2  
54332 WASSERLIESCH/TRIER  
GERMANY

TEL.: +49 (0) 6501 9695 - 2000  
FAX.: +49 (0) 6501 9695 - 2650

INTENSE@PARTSEUROPE.EU

**WWW.PARTSEUROPE.EU**