



SLIM HANDLEBAR BAG

- Offers slim storage with the ability to expand to fit a variety of items
- Mount on the front or rear of risers to provide a clean profile between fairings and gas tanks
- Constructed from durable 1680D ballistic nylon
- High-viz orange interior lining
- Front microfiber-lined pocket is perfect for sunglasses or electronics
- MOLLE webbing on front pocket
- Multiple possible mounting configurations for different size risers
- Measures 23 cm (9") H x 20 cm (8") W x 5 cm (2") D



PART #
3510-0180

DESCRIPTION
Slim handlebar bag

BILLET BRAKE ARMS

- Increased possible lean angle vs. stock arms
- Billet 6061 aluminum construction
- Triple nickel-plated chrome or black anodized finish
- Integrated durable scrape plate



1610-0696



1610-0697

PART #	DESCRIPTION
FOR 18-23 SOFTAIL MODELS W/ MID CONTROLS	
1610-0696	Black

PART #	DESCRIPTION
FOR 18-23 SOFTAIL MODELS W/ MID CONTROLS (CONT)	
1610-0697	Chrome

APEX MINI FLOORBOARDS

- Billet 6061 aircraft-grade aluminum construction
- Driver floorboards for FXD/FXR/FXST/XL models include a stainless steel clevis
- Driver floorboards for M-Eight Softail models include an aluminum clevis
- Triple nickel-plated chrome or black anodized finish

NOTE: Installation of passenger floorboards for touring models may require factory passenger board mount kit (OEM #5050004).



1621-1145



1621-1151

PART #	DESCRIPTION
FOR 00-17 FXD/FXR/FXST/XL MODELS	
1621-1145	Driver, Black
1621-1149	Driver, Chrome
FOR 18-23 SOFTAIL MODELS	
1621-1146	Driver, Black
1621-1150	Driver, Chrome

PART #	DESCRIPTION
FOR 99-23 FLHT/FLHR/FLHX/FLTR/FLTRU/FLTRK/FLTRX, 09-13 H-D FL TRIKE, 00-17 FLST AND 12-16 FLD	
1621-1147	Passenger, Black
1621-1151	Passenger, Chrome



P-54 SHIFTER PEGS

- Billet 6061 aircraft-grade aluminum
- Comes with one 5/16"-24 x 7/8" SCHS
- Fits all HD models and Thrashin shift levers
- Triple nickel-plated chrome or black anodized finish

NOTE: Shifter pegs can also be used as a brake pedals on Thrashin Softail billet brake arms; PART #s 1610-0696 and 1610-0697.



1603-0398

PART #	DESCRIPTION	PART #	DESCRIPTION
1603-0397	Black	1603-0398	Chrome



TSC SHIFTER PEG

- 6061 aluminum construction
- Laser-etched
- Includes hardware
- Regular shifter pegs measure 2,125" L x 1" D
- Fits all HD models with 5/16"-24 thread
- Triple nickel-plated chrome finish
- Sold each

PART #	DESCRIPTION
1603-0399	TSC shifter peg



1603-0395



SPEEDWAY BILLET SHIFTER PEGS

- Billet 6061 aircraft-grade aluminum
- Comes with one 5/16"-24 x 7/8" SCHS
- Fits all HD models and Thrashin shift levers
- Triple nickel-plated chrome or black anodized finish

NOTE: Shifter pegs can also be used as a brake pedals on Thrashin Softail billet brake arms; PART #s 1610-0696 and 1610-0697.

PART #	DESCRIPTION	PART #	DESCRIPTION
1603-0394	Black	1603-0395	Chrome

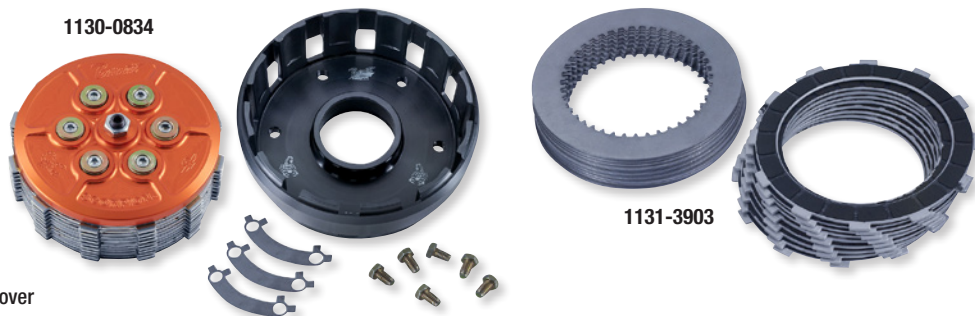


SADDLEBAG STABILIZER KIT

- CNC machined from 6061-T6 aluminum and hard anodized black for superior durability
- Creates a direct link between both bags and significantly strengthens the system, reducing the unwanted movement of the bags
- Included thumb screws allow for easy assembly and disassembly of the kit



PART #	DESCRIPTION
3550-0438	For 17-23 FXLRST



SCORPION BILLET CLUTCHES

- CNC-machined billet aluminum design features over twice the friction area of the stock clutch
- Provides positive engagement and release
- Incorporates six heavy-duty coil springs instead of the diaphragm spring; includes an extra heavy-duty set of springs for higher horsepower applications
- Friction plates are compatible with most primary oil
- Simple bolt-on installation; requires the original clutch shell; no machining is necessary

- Kits include clutch hub, drive plates, driven plates, two sets of clutch springs, pressure plate and necessary hardware
- Sets of replacement fiber and steel clutch plates available separately
- Optional clutch lock plates are specifically designed to be used to lock outer clutch basket to inner hub for removal and installation
- Optional clutch hub puller PART #1605-1270 fits all applications

DESCRIPTION

BIG TWIN APPLICATIONS

	SCORPION CLUTCH	REPL. CLUTCH PLATE SET
For 21-23 FLHT/FLHX/FLHR/FLTRX and 18-23 Softail models w/ mechanical clutch	1130-0834¹	-
For 17-20 FLHT/FLHX/FLHR/FLTRX w/ hydraulic clutch	1130-0835¹	-
For 14-16 FLHT/FLHX/FLTRX, 11-15 FLHRSE/FLHTCUSE/FLTRUSE/FLTRXSE/FLHXSE/FLSTSE/FLSTNSE/FXSBSE CVO models w/ hydraulic clutch (except assist & slip)	-	1131-3903
For 07-10 FLSTFSE/FXSTSSSE/FXDSE/FLHRSE (hydraulic clutch)	-	1131-3903
For 00-06 FLST/FXST models and 99-06 FLT models w/ Original Equipment hydraulic clutch	-	1131-3903

¹ Comes assembled with bearing included.



SCORPION LOW-PROFILE LOCK-UP CLUTCHES

- Features an all-new, redesigned billet aluminum lock-up pressure plate designed to fit under the stock primary cover
- No need to change or modify your cover
- Surface area is greatly increased and lever effort is kept to a minimum
- Three different coil spring sets included to provide a wide variety of spring pressure options, allowing you to tune the clutch for stock to 200+ HP applications
- A steel inner hub is also included to complete the unit
- Designed to fit into the stock-type basket
- Billet aluminum pressure plate
- Adjustable pressure arms increase spring pressure as rpm increase
- Can be run wet or dry
- Smooth, precise shifting
- Sets of replacement fiber and steel clutch plates available separately
- Made in the U.S.A.



DESCRIPTION

	SCORPION CLUTCH
For 21-23 FLHT/FLHR/FLHX/FLTR models w/ mechanical clutch	1130-0836¹
For 17-20 FLHT/FLHR/FLHX/FLTR models w/ hydraulic clutch	1130-0837¹

¹ Comes assembled with bearing included.



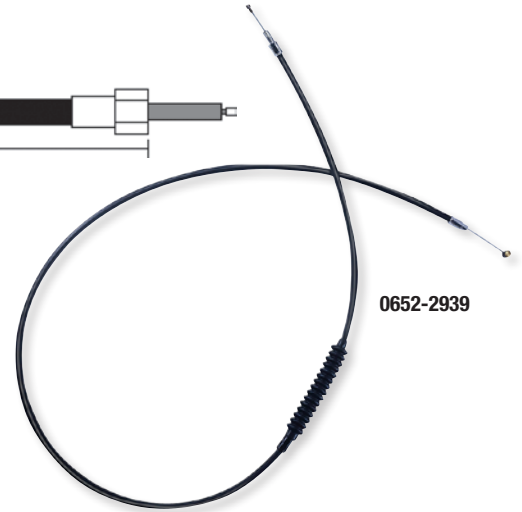
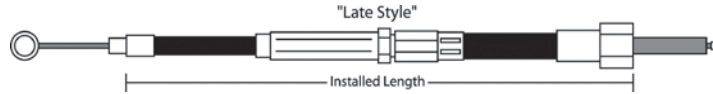
SCORPION LOW-PROFILE LOCK-UP PRESSURE PLATES

- Progressive pressure as rpms increase
- One-piece, no-flex billet aluminum pressure plate
- Hard anodized for optimal durability
- Multiple spring sets for optimal tuning
- Fits under stock primary cover
- Easy bolt-on installation
- Works great with stock clutch
- For maximum performance use Barnett replacement clutch PART #1131-3325 and Barnett extra plate clutch kit PART #1131-3905



PART #

PART #	DESCRIPTION
1131-3901	For 13-20 FLHT/FLHR/FLHX/FLTR models w/ hydraulic slipper/assist clutch (except Softail)
1131-3902	For 13-23 Big Twin w/ mechanical clutch



HIGH-EFFICIENCY BLACK VINYL CLUTCH CABLES

- Barnett cables are smooth-working, long-lasting and are made with the finest components available, making them virtually indestructible
- Available in easy-pull high-efficiency design in standard diameters
- High-efficiency clutch cables reduce lever effort by up to 40%
- Classic black vinyl cables feature a black vinyl casing with chrome elbows and hardware
- Available in OE length

PART #	DESCRIPTION
0652-2939	For 21-23 RA1250/S Pan America

PART #	DESCRIPTION
0652-2940	For 22-23 RH975/S Nightster/Nightster S



EXTRA PLATE CLUTCH KIT

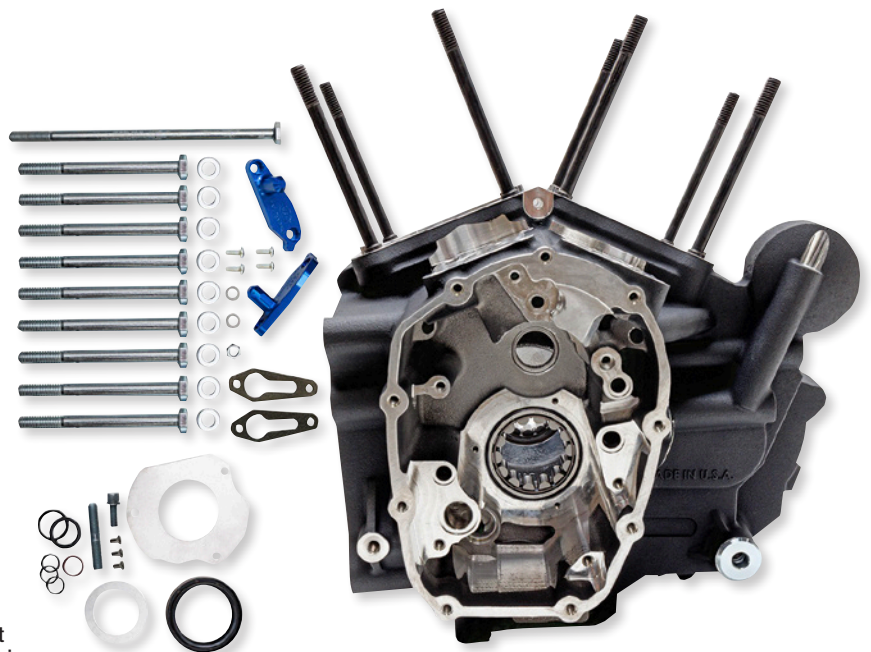
- Aramid fiber plates have high-density compound for increased durability
- Includes one extra friction and steel plate
- Adds 10% to clutch capacity
- Heavy-duty springs are included

PART #	DESCRIPTION
1131-3905	For 17-23 FLHT/FLHR/FLTR/FLHX and 18-23 Softail models



MK SERIES ENGINE CASE

- Aluminum construction
- Reinforced case prevents cracking in high-stress areas for improve reliability
- Machined oil scraper allows better oil scavenging; which results in lower temperatures in the flywheel cavity
- Designed to fit into the stock frame
- Stock deck height
- Large volume sump
- Accepts all OEM-style components
- Can accept larger bores than stock
- Includes crankcase assembly, main bearings (2), balancer shaft bearings (2), inner cam bearing, cylinder studs (8), magnetic drain plug, 1/4" pipe plugs (4), front and rear piston cooling jets and gaskets, and all necessary hardware, O-rings and seals for assembly
- Includes Manufacturers Statement of Origin (MSO) document

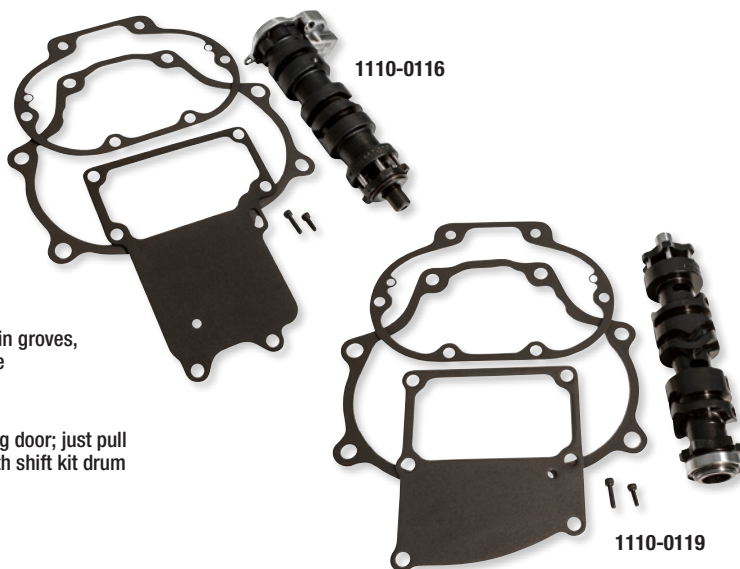


PART #	DESCRIPTION
0920-0239	For 17-23 M-Eight Touring models



CRUISE DRIVE SMOOTH SHIFT KITS

- Applied the design principles that made our six-speed overdrive shift so smooth, to create a shift drum/pillow block kit that will bolt onto any cruise drive 6-speed and give super smooth and precise shifting
- Included pillow block is machined from our 6061-T6 extrusion stock for a significant increase in strength over stock
- Redundant neutral feature and improved ratchet pawl geometry assist the rider in finding neutral the first time
- Smoother, positive shifting is achieved with advanced geometry in the fork pin grooves, and the integration of a linear detent bearing on the right side mounting plate
- Fixed spindle drum design offers lower friction as the drum rotates, reducing the effort required by the rider to complete a shift
- Easy Installation – no need to disassemble the stock gearset from the bearing door; just pull out the stock gearset, and swap out the stock shift drum for the Baker smooth shift kit drum
- No adjustments are needed for the shift drum; direct bolt in design
- Reuses stock shifter pawl, stock pawl centering pin, shift forks and fork rods
- Precision-machined spindle and drum for the most durable shift drum
- Gaskets and fasteners included



PART #	DESCRIPTION
1110-0116	For 06-17 Dyna, 07-17 Softail, 07-16 Touring
1110-0117	For 17-23 Touring (excluding 23 CVO), 18-23 Softail

PART #	DESCRIPTION
1110-0118	For 06-17 Dyna, 07-17 Softail, 07-16 Touring
1110-0119	For 17-23 Touring (excluding 23 CVO), 18-23 Softail



REAR DRIVE BELTS

- Carbon fiber-reinforced Goodyear engineered Falcon SPC™ belts offer up to 33 percent more tensile strength than conventional aramid reinforced belts
- High-temperature rubber compound offers excellent flex and long service life
- Fabric reinforced belt tooth surfaces improve wear resistance
- Durable material construction is designed to withstand belt-penetrating debris without breaking

NOTE: No warranty claims are made or implied.

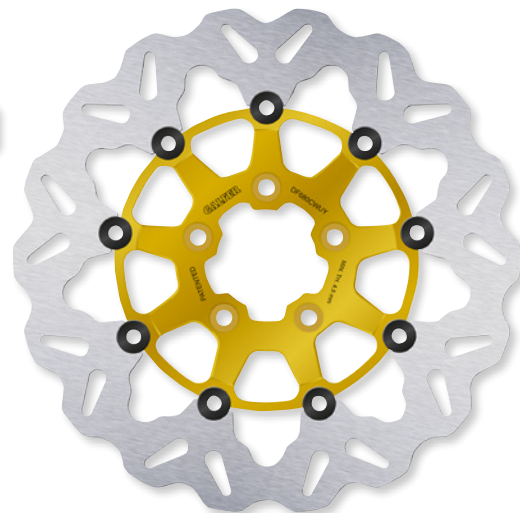


PART #	DESCRIPTION
1 1/2" BELTS	
1204-0041	128-tooth belt for 93 FLST (domestic), FXST 91-93 FXD/FXDWG (international); repl. OEM #40012-90
1204-0043	130-tooth belt for 95-99 FLST (domestic), FXST 94 FLST/FXST 94-95 FXD/FXDWG (Swiss); repl. OEM #40017-94
1204-0046	132-tooth belt for 86-92, 94 FLST (domestic), FXST 89-93 FLT/FXR (international); repl. OEM #40023-86
1204-0050	133-tooth belt for 99 FXD/FXDWG (domestic); repl. OEM #40015-90
1204-0058	136-tooth belt for 85-96 FLT/FLHT, 85-94 FXR (domestic); repl. OEM #40001-85
1204-0062	139-tooth belt for 99-03 FLT/FLHT/FLHR/FLTR (domestic); repl. OEM #40024-97
1 1/8" BELTS	
1204-0042	128-tooth belt for 91-03 XL, 94-02 Buell (except Blast) (domestic/international); repl. OEM #40022-91
1204-0047	132-tooth belt for 06 FXD/FXDWG (international); repl. OEM #40594-06
1204-0051	133-tooth belt for 00-06 FXD/FXDWG (domestic); repl. OEM #40015-00
1204-0055	135-tooth belt for 00-06 FLST, 00-05 FXST (domestic/international); repl. OEM #40307-00
1204-0059	136-tooth belt for 04-06 XL 883 (domestic/international); repl. OEM #40570-04
1204-0085	137-tooth belt for 04-06 XL1200C (domestic); repl. OEM #40571-04B
1" BELTS	
1204-0045	130-tooth belt for custom applications

PART #	DESCRIPTION
1" BELTS (CONT)	
1204-0112	131-tooth belt for 07-17 FXD/FXDWG (domestic); repl. OEM #40046-07
1204-0052	133-tooth belt for 07-11 FLST/C/N, FLSTSC/FXSTD, FXCW/C/FXS (domestic/international); repl. OEM #40058-07
1204-0060	136-tooth belt for 07-10 XL 883 (domestic/international); repl. OEM #40371-07
1204-0060	136-tooth belt for 07 FLHT/FLHR/FLHX/FLTR (Japan); repl. OEM #40056-07
1204-0061	137-tooth belt for 07-08 FLHT/R/X, FLTR (domestic); repl. OEM #40024-07
1204-0061	137-tooth belt for 11-21 XL883, 07-21 XL 1200 and XR1200 (domestic/international); repl. OEM #40591-07
1204-0064	139-tooth belt for custom applications
20 MM BELTS	
1204-0049	132-tooth belt for 07-15 FLST/FXST/FXCW (Japan); repl. OEM #40074-07
1204-0053	133-tooth belt for 07-11 FLSTF/FLSTSB, FXST/B/C (domestic/international); repl. OEM #40073-07
1204-0057	135-tooth belt for 06 FXST (domestic/international); repl. OEM #40655-06
24 MM BELTS	
1204-0092	133-tooth belt for 12-17 Softail (except FXSB/SE); repl. OEM #40000001
1204-0234	134-tooth belt for 18-21 Softail; repl. OEM #40000018
1204-0113	140-tooth belt for 09-21 FLHT/FLHX/FLTRX/FLTRU/FLTRK/FLHR; repl. OEM #40024-09A



1710-4594



1710-4595



WAVE® BRAKE ROTORS

- Made from 420 high-carbon stainless Tier-1 steel
- Laser-cut, never stamped
- Each rotor is individually heat-treated and double-disc parallel ground to ensure perfect flatness
- WAVE® design allows for lower operating temperatures at extreme conditions
- WAVE® design is much lighter than a stock rotor

NOTE: For maximum braking performance and rotor longevity, Galfer recommends using Galfer brake pads with Galfer rotors. See page ??? for Galfer brake pads.

DESCRIPTION	PART #	DIAMETER	STYLE
FRONT BRAKE ROTORS			
For 18-23 Big Twin, 14-18 XL (except RH Sportster), 14-15 XG 750	1710-4599	300 mm	Full-floating w/ black/bright carrier
	1710-4600	300 mm	Full-floating w/ black/contrast carrier
	1710-4601	300 mm	Full-floating w/ gold carrier
For 00-14 Big Twin, 00-13 XL, 16-20 XG 500/750 (except 08-14 FLHT/FLHR/FLTR/FLHX and H-D FL Trikes, Springer, V-Rod, 06-14 FXD)	1710-4593	292 mm	Full-floating w/ black/bright carrier
	1710-4594	292 mm	Full-floating w/ black/contrast carrier
	1710-4595	292 mm	Full-floating w/ gold carrier
REAR BRAKE ROTORS			
For 18-23 Big Twin, 14-18 XL (except RH Sportster), 14-15 XG 750	1710-4602	300 mm	Full-floating w/ black/bright carrier
	1710-4603	300 mm	Full-floating w/ black/contrast carrier
	1710-4604	300 mm	Full-floating w/ gold carrier
For 00-14 Big Twin, 00-13 XL (except 08-14 FLHT/FLHR/FLTR/FLHX and H-D FL Trikes, Springer, V-Rod, 06-14 FXD)	1710-4596	292 mm	Full-floating w/ black/bright carrier
	1710-4597	292 mm	Full-floating w/ black/contrast carrier
	1710-4598	292 mm	Full-floating w/ gold carrier



TRASK

AXLE ADJUSTER KIT

- Allows for utilization of full slot width in the swingarm
- Works great with chain conversion kits
- Allows you to keep your stock OEM axle (see note)
- Can be used with Trask 530 Chain Conversion Kits PART #s 1210-1851 and 1210-2458 (sold separately)

NOTE: OEM axle will need to be removed to allow new cam adjusters to be installed.



PART #	DESCRIPTION
0214-2817	For 20-23 FL models with OEM axle #43000207