

**VANCE
HINES**



1800-2565



1800-2568



1800-2569

BIG RADIUS EXHAUST SYSTEMS

- PCX™ (Power Chamber Exhaust) technology
- Chambered high-flow catalyst cartridge designed to increase torque
- Full coverage heat shields
Include mounting hardware and installation instructions

PART #	DESCRIPTION
18-23 FXBR/FLFB, 19-21 FXDR MODELS	
1800-2565	Chrome
1800-2566	Black
FOR 18-23 FXBB/FXLR/FXFB/FLSL/FLHC/FLDE/FLSB/FXST MODELS	
1800-2567 ¹	Chrome
1800-2568 ¹	Black

PART #	DESCRIPTION
FOR 00-17 FXS/FLS/FXST/FLST MODELS (EXCEPT 13-17 FXSB/FXSE, 08-11 FXCW/C, 09 FXSTSSE)	
1800-2569	Chrome

¹ FLHC/FLSB/FXLRST models require saddlebag support bracket kit PART #1861-1250 (sold separately)

**VANCE
HINES**

SHORTSHOTS STAGGERED EXHAUST SYSTEM

- PCX™ (Power Chamber Exhaust) technology
- Chambered high-flow catalyst cartridge designed to increase torque
- Full-coverage heat shields
- Includes mounting hardware and installation instructions

PART #
1800-2580
DESCRIPTION

For 14-22 XL (except RH Sportster)



UPSWEEP 2-INTO-1 EXHAUST SYSTEM

- PCX™ (Power Chamber Exhaust) Technology
- Chambered high-flow catalyst cartridge designed to increase torque (unless noted)
- Lightweight, high-grade 304 stainless steel construction
- Hand TIG welded
- Mounting and hardware instructions included
- Sold each

PART #
1800-2625
DESCRIPTION

For 04-13 XL models

VANCE HINES



BIG SHOTS STAGGERED 2-INTO-2 EXHAUST SYSTEM

- PCX™ (Power Chamber Exhaust) technology
- Chambered high-flow catalyst cartridge designed to increase torque
- Full coverage heat shields
- CNC-machined billet end caps
- Available in a black finish
- Include mounting hardware and installation instructions

PART

1800-2582

DESCRIPTION

For 18-23 FXBB/FXBBS/FXFB/FXLR/FXLRS/FLDE/FLHC/FLSB/FLSL/FXST models

PRO PIPE 2-INTO-1 EXHAUST SYSTEM

- PCX™ (Power Chamber Exhaust) technology
- Chambered high-flow catalyst cartridge designed to increase torque
- Full coverage heat shields
- Available in a chrome finish
- Include mounting hardware and installation instructions



PART

1800-2575¹

DESCRIPTION

For 18-23 FLFL/FLHC/FLDE/FXFB/FXLR/FXLRS/FXBB/FLSB/FXST models

¹ FLHC/FLSB require the use of saddlebag support kit, PART #1861-1250 (sold separately).

3" ELIMINATOR 300 SLIP-ON MUFFLERS

- PCX™ (Power Chamber Exhaust) technology
- Chambered high-flow catalyst cartridge designed to increase torque
- CNC-machined billet end caps
- Mounting hardware and instructions included
- Sold in pairs



PART

1801-1513

DESCRIPTION

For 18-22 FLFB/FXBB/FXLR/FXBR/FLSL/FXST models

VANCE HINES



1802-0408



1802-0409

DRESSER DUALS HEADER SYSTEMS

- PCX™ (Power Chamber Exhaust) Technology
- Chambered high-flow catalyst cartridge designed to increase torque
- Catalysts repositioned downstream for rider comfort
- Full-coverage heat shields
- Accept 17-23 style mufflers (sold separately)

PART #	DESCRIPTION
FOR 17-23 FLHT/FLHTK/FLHR/FLHX/FLTRX/FLTRU/FLTRK MODELS	
1802-0408	Chrome
1802-0409	Black

BACKSLASH 450 SLIP-ON MUFFLERS

- Designed specifically for the Milwaukee M8 Touring models
- 4,5" mild-steel spin-formed round muffler bodies
- LS275 baffles designed for an intimidating, bold rumble
- Angle of the tips match the angle of the OEM saddlebags
- Matte black finish
- Mounting hardware and instructions included
- Sold in pairs



PART #	DESCRIPTION
1801-1500	For 17-22 FLHT/FLHX/FLTRX/FLHR models (except 17-22 H-D Trike)



VO2 FALCON RAIN SOCK

- Protective sock also shields against road debris clogging the pleats of your air filter, helping to maintain performance and increase service intervals
- Get added protection for your Vance & Hines VO2 Air Intake kit with a custom-fitted air filter rain sock
- Designed to guard your air filter from ingesting moisture while riding in rainy conditions
- Deflects debris particles as small as 0,005"

VO2 FALCON AIR REPLACEMENT AIR FILTER

- VO2 replacement filter for Falcon air cleaners
- High-capacity washable air filter element



1011-4635



1011-4718

PART #	DESCRIPTION
1011-4635	VO2 rain sock
1011-4718	VO2 Falcon replacement air filter



VO2 CAGE FIGHTER RAIN SOCK

- Protective sock also shields against road debris clogging the pleats of your air filter, helping to maintain performance and increase service intervals
- Get added protection for your Vance & Hines VO2 Air Intake kit with a custom-fitted air filter rain sock
- Designed to guard your air filter from ingesting moisture while riding in rainy conditions
- Deflects debris particles as small as 0,005"



PART #	DESCRIPTION
1011-4656	VO2 Cage Fighter rain sock



VO2 BLADE/ROGUE RAIN SOCK

- Protective sock also shields against road debris clogging the pleats of your air filter, helping to maintain performance and increase service intervals
- Get added protection for your Vance & Hines VO2 Air Intake kit with a custom-fitted air filter rain sock
- Designed to guard your air filter from ingesting moisture while riding in rainy conditions
- Deflects debris particles as small as 0,005"



PART #	DESCRIPTION
1011-4657	VO2 Blade/Rogue rain sock



1010-3011



1010-3020



AIR CLEANER KITS

- Flows better than stock or competing units, in large part because of its unique internal venturi design of the inner filter
- Optimizes overall performance
- Air Filter element ensures the maximum air intake and protection
- Slim profile keeps the unit away from the rider's leg
- The Cobra system consists of a laser-cut, formed steel cover, separate mounting ring, and all the fasteners, seals, backing plate and mounting hardware for easy installation
- Includes formed stainless steel mesh insert

PART #	DESCRIPTION
FOR 99-17 TWIN CAM W/ CV CARB/DELPHI EFI (EXCEPT 08-17 DRESSER, H-D FL TRIKE, 16-17 FXDLS, 16-17 SOFTAILS, 14-15 FLSTNSE, 13-14 FXSBSE AND 11-12 FLSTSE)	
1010-3011	Chrome cross air cleaner kit
FOR 04-22 XL W/ CV CARB/DELPHI EFI (EXCEPT RH SPORTSTER MODELS)	
1010-3020	Black cross air cleaner kit



CONE AIR INTAKE

- Utilizing a ram air style intake tube, this intake system is designed for performance
- The air filter allows for maximum amounts of air to enter the intake
- The Venturi, which is mounted to the throttle body, accelerates the air into the engine

PART #	DESCRIPTION
1010-3131	For 18-23 FLFB/FLHC/FLS/FXBB/FXBR/FXLR/FXST models



RECTIFIER/REGULATOR

- Built to OEM specifications for a high-quality, cost-effective replacement
- Come with the factory plug ends for an easy install

PART #	DESCRIPTION
2112-1733	For 94-03 XL; repl. OEM #74523-94/74523-94A





STEERING DAMPER MOUNTING KIT

- Mounting kit located on the right side of the frame
- Cutting frame cover required for installation
- Requires steering damper PART # 0604-0061 or 0604-0244 (sold separately) for a complete assembly

PART #	DESCRIPTION
0604-0257	Steering damper mount kit only (black) for 21-23 RH1250S Sportster S



TYPE 460 SHOCK ABSORBER

- High-performance, 7075-T6 aircraft aluminum construction; a wet born piston rod and self-adjusting bearing
- Radial piston with straight flow and preload through a pre-combustion oil chamber offers optimum response
- Anti-block system features a separate overpressure valve that prevents the shock from hydraulic lock
- Anti-fading damping system
- Rebound/compression adjuster; 50/30 clicks
- Feature progressive spring and threaded spring preload adjuster
- Adjusted for a solo rider and occasional two-up riding; spring load can be adjusted to personal preference



PART #	DESCRIPTION
1304-1114	For 21-23 RH1250S Sportster S



REAR SHOCK SPRING

- Designed to fit the OEM shock absorber
- Improves suspension performance and rider comfort
- Spring color is black
- Setup manual included

PART #	DESCRIPTION
1312-1086	For 21-23 RH1250S Sportster S



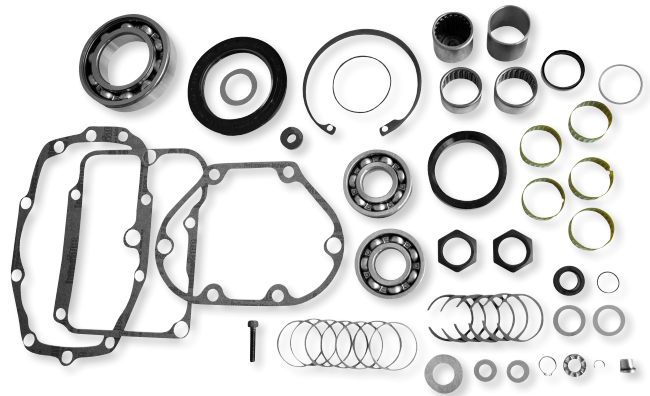
FRONT/REAR LOWERING KITS

- Front lowering kit substitutes shorter fork springs for the stock length springs
- Spring rate is designed to perform better than the original
- Rear kit is a suspension linkage and all necessary hardware for installation
- Linkage is made of lightweight CNC-machined aluminum

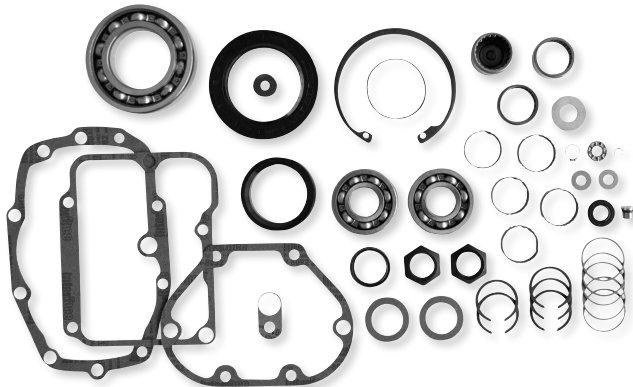
PART #	LOWERING DISTANCE	POSITION
FOR 21-23 RH1250 SPORTSTER S		
0416-0113	25 mm	Front
1304-1115	25 mm	Rear



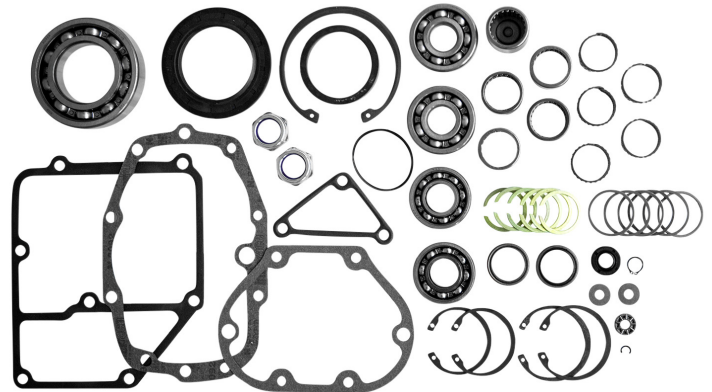
1104-0025



1104-0026



1104-0027



1104-0028



1104-0029



1104-0030

TRANSMISSION REBUILD KITS

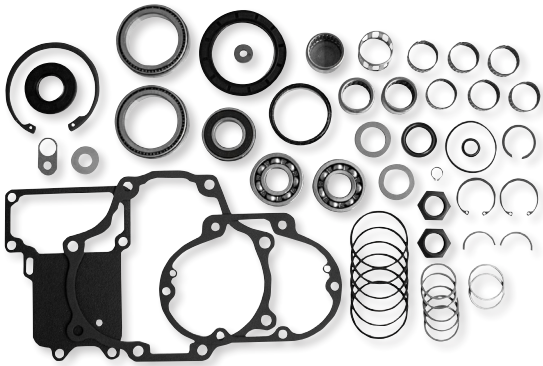
- All-inclusive kit to allow a full transmission rebuild
- Includes bearings, C-clips, seals, gaskets and all necessary hardware
- Can help reduce bearing noise

PART #	DESCRIPTION
1104-0025	For Baker Drivetrain OD6R only
1104-0026	For Baker Drivetrain OD6 only
1104-0027	For Baker Drivetrain DD6 only

PART #	DESCRIPTION
1104-0028	For 91-93 Dyna models
1104-0029	For 87-93 FLT/FLHT/Softail/FXR models
1104-0030	For Baker Drivetrain DD7 only



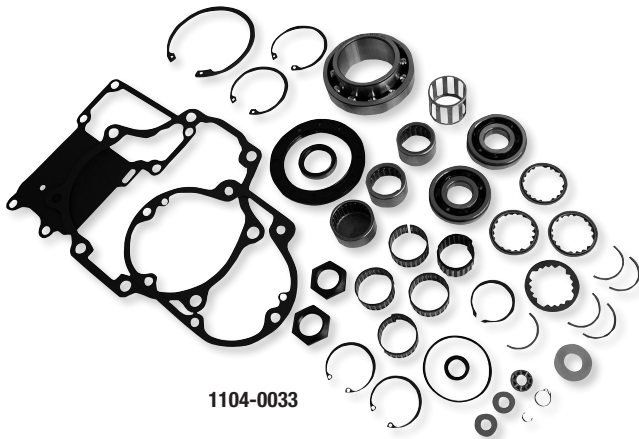
TRANSMISSION REBUILD KITS (CONT)



1104-0031



1104-0032



1104-0033

PART #	DESCRIPTION
1104-0031	For Baker Drivetrain DD7 with tapered roller main drive gear bearings
1104-0032	For Baker Drivetrain Cruise Drive with tapered roller main drive gear bearings
1104-0033	For Baker Drivetrain Cruise Drive



1107-0719



1107-0720



6-SPEED TRANSMISSION DOOR ASSEMBLIES

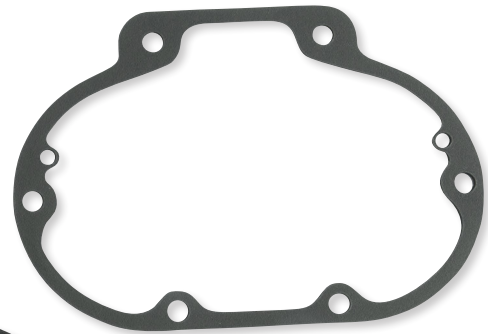
- Manufactured with 6061-T6 Aluminum
- 28% wider bearings when compared to stock
- The bearings are retained with a 6-bolt steel 1/8" plate, phantom clutch lever movement reduced by 90%
- Installs with no modifications and includes mainshaft and countershaft nuts
- A must have for any serious motor upgrade

PART #	DESCRIPTION
FOR 06-17 DYNA, 07-23 BIG TWIN MODELS	
1107-0719	Polished
1107-0720	Black

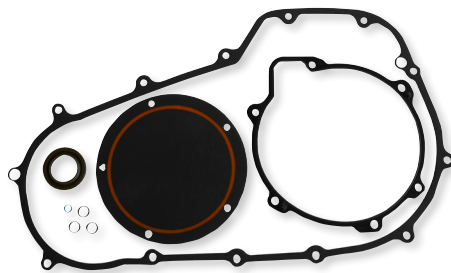


FUNCTION-FORMED™ TRANSMISSION SIDE COVER/ACTUATOR WITH FRONT FEED

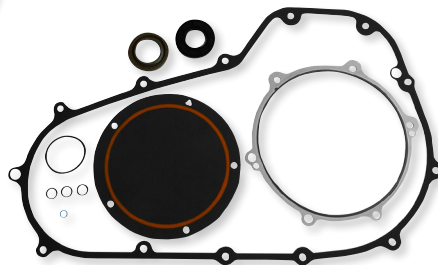
- Function-Formed™ style milled from 6061-T6 aluminum
- Low-profile external features allow maximum exhaust clearance
- 12-point stainless steel ARP bolts and gasket included
- Side cover has hydraulic feed and include 1,5" diameter piston; compatible with OEM or 1 1/16" hydraulic master cylinders
- Available with black finish



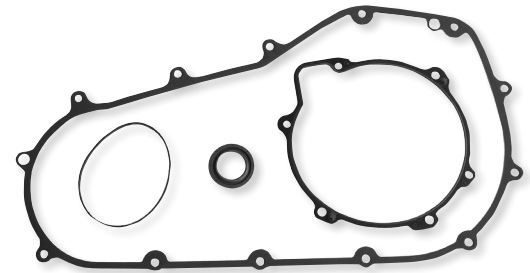
PART #	DESCRIPTION
1107-0721	For 06 FXD/FXDWG, 07-17 Twin Cam stock 6-speed, Baker DD7, Baker Grudgebox transmissions



1120-0443



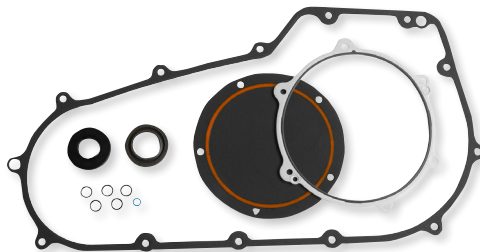
1120-0438



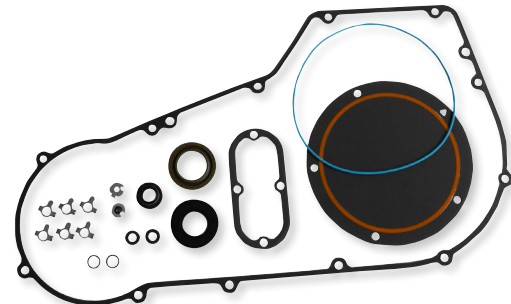
1120-0442

PRIMARY REBUILD KITS

- All-inclusive convenient kit is designed to freshen up those high mileage bikes, prevent leakage and includes everything you'll need after opening up your primary
- Includes gaskets, seals and O-rings



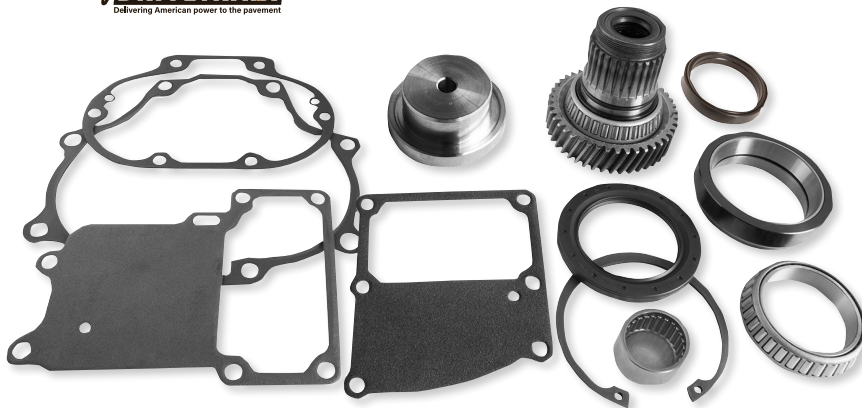
1120-0439



1120-0440

PART #	DESCRIPTION
1120-0443	For 17-23 M-Eight Touring
1120-0438	For 07-16 Touring
1120-0442	For 18-23 M-Eight Softails

PART #	DESCRIPTION
1120-0439	For 07-17 Softail, 06-17 Dyna
1120-0440	For 94-06 Softail, 94-05 Dyna



CRUISE DRIVE MAIN DRIVE GEAR TAPERED ROLLER BEARING KIT

- Kit provides everything you need to eliminate the all too common stock maindrive gear bearing failures
- Includes our exclusive Baker double tapered roller bearing assembly, a replacement cruise drive main drive gear and our new main drive gear/countershaft bearing installation and removal tool

PART #	DESCRIPTION
1110-0100	For 06-17 Dyna, 07-23 Softail and Touring models with stock cruise drive transmission

REPLACEMENT BEARINGS AND COMPONENTS FOR 5-SPEED BIG TWIN

- Sold individually



1106-0238



1106-0239



1106-0240



1106-0241



1106-0243

PART #	DESCRIPTION
1106-0238	Countershaft bearing (closed end) for 80-06 Big Twin
1106-0239	Mainshaft/countershaft split-cage needle bearing (open end) for 80-06 Big Twin
1106-0240	Main drive gear needle bearing (open end) for 91-06 Big Twin

PART #	DESCRIPTION
1106-0241	Main drive gear roller ball bearing for 85-06 Big Twin
1106-0243	Transmission door bearing for 99-06 Big Twin



ARMORED ATTITUDE PRIMARY CHAIN ADJUSTER ASSEMBLY

- Prevent damage to your motorcycles left side motor case bearings, inner primary bearings, clutch hub bearings and transmission output gear bearings
- Manual chain tensioner allows you to set the chain to the proper 5/8"-7/8" (cold) freeplay and never have to worry about it being too tight
- Increases torque by 3.42 ft/lbs
- Reduces primary noise
- Helps prevent damage to the primary
- Improves motor bottom end and inner primary race bearing durability

PART #	DESCRIPTION
1120-0437	For 06-17 Dyna, 07-17 Softail, 07-23 Touring

CRUISE DRIVE COUNTERSHAFT BEARING TOOL KIT

- Service tool kit needed to remove the stock countershaft bearing in Harley cruise drive transmissions
- Kit comes with a case support plate, case support plate spacers (2), countershaft bearing install tool, fasteners and countershaft bearing removal tool
- Assist in properly removing and installing your Baker or stock countershaft bearing
- Made in the U.S.A.



PART #	DESCRIPTION
3802-0095	For 06-17 Dyna, 07-23 Twin Cam and M-Eight



1621-1057



1624-0397



1621-1058



1624-0398

MINI BOARDS

- Economical alternative to factory Harley-Davidson® pegs, boards and highway pegs
- Reversible rubber on one side with rubber inlays on the other
- Male-mount style
- Measure 4" x 4"
- Sold in pairs

PART #	DESCRIPTION
1621-1057	Matte black mini board
1621-1058	Chrome mini board

CUSTOM ACCENT PEGS

- Pegs with anti-vibration rubber inlays
- Folding design stainless steel clevis mounts
- Stainless steel 3/8" bolts will fit most arms and clamps
- Sold in pairs

PART #	DESCRIPTION
1624-0397	Black custom accent pegs
1624-0398	Chrome custom accent pegs



HIGHWAY PEGS WITH FRAME MOUNTS

- 13" long CNC-machined billet aluminum pegs and mounts clamp securely to 1 1/2" frame down tubes
- Adjust 8" forward and back to accommodate any leg length or riding position
- Anti-vibration pegs feature 3/8" mounting bolts and unique locking setscrew system that lets riders set the peg angle to their comfort level
- No-rust stainless steel hardware
- Semi gloss powdercoated
- Sold in pairs

NOTE: Not for 04-21 XL models.

PART #	DESCRIPTION
1620-2377	For HD models w/ 1 1/2" down tubes



ADJUSTABLE PASSENGER BOARD MOUNTS FOR USE WITH RINEHART EXHAUST

- Allow fitting passenger floorboards on models using Rinehart exhaust systems
- 9" range of motion
- Use factory passenger boards (not included)
- No tool required adjustment
- Will work on Tri-Glide but limited movement due to rear tire

PART #	DESCRIPTION
1621-1059	For 99-23 FLT/FLHT/FLTRU/FLTRK/FLTRX/FLHR/FLHX/FLHTCUTG w/ Rinehart exhaust



MAGNUM ELECTRIC HORN SET

- Featuring an output of 118 dB, these are the loudest electric horns you can buy
- Direct replacement for most 12V electric horns
- Horn set includes two chrome-finish horns (one high and one low tone), mounting brackets and installation instructions
- Horns measure 76,2 mm x 76,2 mm x 76,2 mm (3" x 3" x 3") each
- Uses the stock horn button; bolt-on, plug-in installation
- Available in chrome

NOTE: The use of a 30A relay is recommended with Horn Set (not included with the horn set, but included in each wiring/mounting kit) to achieve maximum volume and protect the stock electrical system.



PART #	DESCRIPTION
2107-0322	Magnum electric horn set for 99-23 FLT/FLHR/FLHT/FLHX/FLTR/FLTRU/FLTRK/FLTRX and H-D FL Trike (mounts one horn in original location and one near left foot peg)

H9/H11 LED HEADLIGHT BULBS

- Replace H9 and H11 halogen bulbs
- Super-bright 6500 lumen output rated to last 30.000 hours
- Daylight white light rated at 6000K with no blue tint
- Adjustable light pattern
- Nighttime light field is 30% longer and 15% wider than factory bulbs
- RFI-shielded and produces no radio frequency interference in most motorcycles
- Plug-and-play installation using stock reflector and bulb housing
- Sold in pairs

PART #
2060-0803

DESCRIPTION
H9/H11 LED headlight bulbs



H3-STYLE LED REPLACEMENT BULB

- Replace H3 halogen bulbs
- Output 1200 total lumens (600 per bulb)
- Use factory housings
- Pure white light rated at 6000 Kelvin, no blue or yellow tint
- Rated for 30.000 hour service life
- Fit pre-06 Harley-Davidson® motorcycles with replaceable bulbs
- Sold in pairs

PART #
2060-0804

DESCRIPTION
H3-style LED bulb





2104-0407



2104-0408

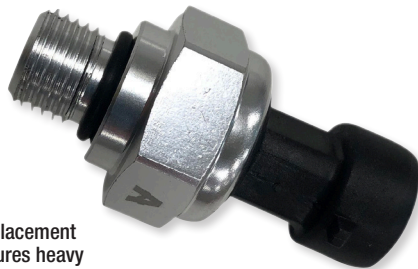
8,8 MM SPARK PLUG WIRE SETS

- Constructed with silicone throughout the jacket, insulation and core (copper core also available) to deliver high-temperature resistance
- Rated at SAE Class E J2031 with a continuous operating temperature of 232 °C (450 °F)

PART #	DESCRIPTION
2104-0407	For 17-23 FLHT/FLHR/FLHX/FLTR and FL Trike models
2104-0408	For 18-23 Softail models

OIL PRESSURE SWITCH

- Precision-calibrated replacement oil pressure switch features heavy contacts, brass pressure ferrules, thermoplastic insulators and a brightly finished steel shell
- Designed and tested to ensure consistently accurate pressure thresholds



OIL PRESSURE SENSOR

- Accurate reproduction of the OEM sending unit
- Precision calibrated
- Sold each



PART #	DESCRIPTION
2106-0603	For 17-23 FLHT/FLHR/FLHX/FLTR models; repl. OEM #71400112A

PART #	DESCRIPTION
2212-0872	For 99-16 FLHT/FLHR/FLHX/FLTR/FLTRX; repl. OEM #74438-99A



CLUTCH SHELL

- High-quality replacement clutch shell with starter ring gear
- Includes center bearing and snap rings

PART #	DESCRIPTION
1132-1828	For 17-23 M-Eight



1132-1830



1132-1829

INNER CLUTCH HUBS

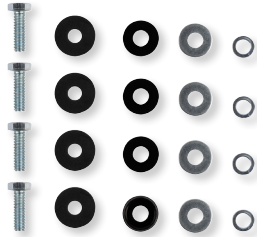
- Improved inner clutch hubs with reinforced insert
- Accept all OEM components

PART #	DESCRIPTION
1132-1830	For 17-23 FLHT/FLHR/FLHX/FLTRX/FLTRU/FLTRK and H-D Trike; repl. OEM #37000083
1132-1829	For 18-23 Softail; repl. OEM #37000239



TOUR-PAK® LUGGAGE RACK

- 1.25 cm (1/2") tubing construction with a black finish
- Measures 52 cm x 36 cm x 9 cm (20 1/2" x 14 1/8" x 3 1/2")
- Includes mounting hardware



PART #	DESCRIPTION
1510-1112	For 99-23 Dresser models w/ King, Chopped or Razor Tour-Pak®; repl. OEM #53665-87



LIFT KIT FOR TOUR-PAK® RACK

- Raises luggage rack 13 mm (1/2")
- Helps to distribute the load with a wider foot while also making it easier to clean and polish under your rack
- Makes securing luggage attachments more accessible
- Easy installation
- Comes in a chrome finish



PART #	DESCRIPTION
1510-1073	Lift kit



TIE-DOWN BRACKETS

- Offer a secure and convenient location to connect tie-down straps to the front of your motorcycle during service or trailer transport
- Easy installation
- Sturdy, steel construction
- Comes in a black finish
- Sold as a pair

NOTE: Does not work with Circo TAC-10 light PART #2001-2439.



PART #	DESCRIPTION
0502-0572	For 14-23 FLHT/FLHTCU/FLHTCUL/FLHTK/FLHTKL/FLHX/FLHXS/FLHXSE/FLHXST
0502-0574	For 15-23 FLTRU/FLTRUSE/FLTRK/FLTRXS/FLTRSE/FLTRXST



2040-2975



FANG® LOWER FAIRING LIGHTS

- New ultra-bright light technology for a radiant uniform glow
- Create a wide spread of light; great for dark parking lots and low speed maneuvering
- Plug-and-play
- Bright white running light
- Amber turn signals
- Everlight LEDs
- Polycarbonate clear lens
- Improves side visibility
- 180° side-to-side light pattern
- No restriction to airflow



2040-2976

FANG® FRONT SIGNAL LED LIGHT INSERTS

- Great way to add modern styling and class to your bike while also increasing visibility
- Front inserts have smoke lenses with amber LED lights
- Lens amplifies light output for maximum brightness
- Bezel is die-cast for long-lasting good looks
- Waterproof
- Sold in pairs



PART #	DESCRIPTION
--------	-------------

FOR 14-23 TOURING MODELS (EXCEPT 23 FLHXSE/FLTRXSE), 14-19 FLHTCU, 14-23 FLHTK, 14-21 FLHTKSE, 14-23 FLHTCUTG, 15-16 FLHTCUL, 15-16 FLTRUSE, 15-19 FLHXSE, 16-19 FLTRU, 20-23 FLHTCUTGSE, 20-23 FLTRK, 22-23 FLTRKSE

2040-2975	Chrome
2040-2976	Black

PART #	DESCRIPTION
--------	-------------

For 16-23 FLHTKSE, 16-22 FLHXSE, 18-22 FLTRXSE, 20-23 FLHTCUTGSE, 16-17 FXSBSE, 16 FLTRUSE, 22-23 FLTRKSE (repl. H-D LED puck OEM #67800257)

2040-2910

BAG BLADES®

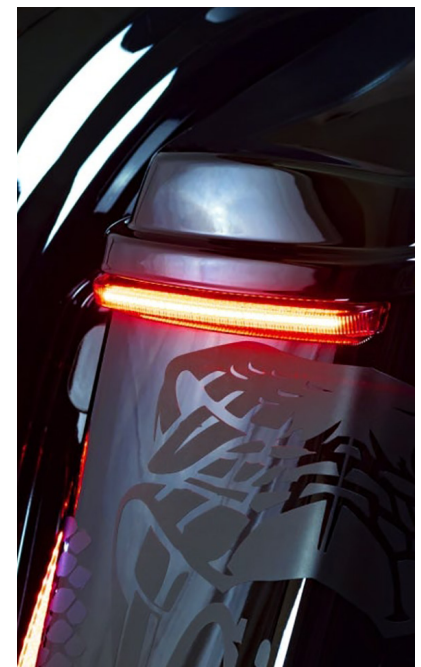
- Original, low-profile saddlebag lights that fit perfectly
- One of the cleanest ways to add light to the back of your bike
- Low-profile light housing sits right below the lid to blend seamlessly into the back of the bike
- Features sequential turn signals and red run/brake lights
- Comes with amber turn signals and a smoke lens
- Plug-and-play installation with no drilling
- Sold in pairs



PART #	DESCRIPTION
--------	-------------

For 14-23 FLHT/FLHTCU/FLHTCUL/FLHTK/FLHTKL/FLHR/FLHRXS, 15-23 FLTRX/FLTRXS/FLTRU/FLTRK models (except 23 FLHXSE/FLTRXSE)

2040-2893

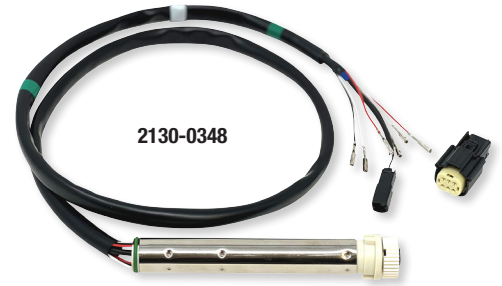




REPLACEMENT TWIST GRIP SENSORS

- Pre-installed terminals that utilize MIL-SPEC crimping presses
- Hardwired, like OEM CVO versions, from the sensor to the main connection on the harness
- 100% plug-n-play
- PART #2130-0347, sensor includes OEM HD# 72188-07BK male 6-position connector for installation after the harness is routed through the handlebar
- PART #2130-0348, sensor includes OEM # 72414-07BK female 6-position connector for installation after the harness is routed through the handlebar
- PART #2130-0349, sensor includes installed OEM # 69201162 micro-connector for easy installation after routed through the handlebar
- Additionally includes an installed male 2-position heated grip connection OEM #72902-01BK, which is NOT installed to place wiring harness through handlebar
- Made in the U.S.A.

NOTE: Make sure grip is snug against gear drive to prevent damage.



PART #	DESCRIPTION
2130-0349	For all 16-23 H-D Throttle-By-Wire models
2130-0348	For all 14-15 H-D Throttle-By-Wire models
2130-0347	For all 08-13 H-D Throttle-By-Wire models

38 CM (15") HANDLEBAR CONTROL EXTENSION HARNESS

- At 38 cm (15"), it will effortlessly fit up to 51 cm (20") tall handlebars
- Replaces the OEM harness with more length
- Easy installation

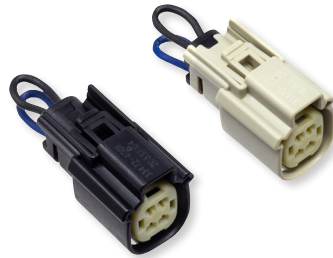
PART #	DESCRIPTION
2120-1203	For 22 Chief models



OXYGEN SENSOR BYPASS KIT

- Kit allows you to bypass the OEM O₂ sensors when changing from the stock exhaust
- Fits 2010-2022 OEM sensor wiring harness

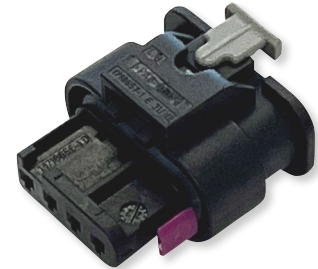
PART #	DESCRIPTION
2120-1169	O2 sensor bypass kit



T-MAP SENSOR CONNECTOR KIT

- Kit includes terminals and wire seals

PART #	DESCRIPTION
2120-1210	For 17-23 M-Eight models; repl. OEM #69201441



AUDIO CONNECTOR

- Plug and play
- Mates to OEM connector above headlight with rubber lanyard

PART #	DESCRIPTION
2120-1209	Audio connector



SPEAKER JUMPER PIGTAILS

- Ideal for new speaker installation

PART #	DESCRIPTION
2120-1204	For 19-22 Indian Touring models





MOTO PRO DIAGNOSTIC TOOL

- Comprehensive, fully-functional scan tool for motorcycles, watercraft and recreational vehicles
- Helps you diagnose and repair issues in the computerized systems such as engine, brakes, transmission and more
- Comes with 8" Android tablet and complete connector suite
- Helps perform actuator calibrations such as idle and throttle, as well as injector tests and self-adaptive resets
- Read and clear codes
- View live data
- Rider assist and immobilizer coverage

PART #
3807-0674

DESCRIPTION
Moto Pro diagnostic tool