

METHOD NO FLEX INVERTED FORK LEGS

- Performance driven Dual Disc design
 - Integrated "No Flex" fork brace flows seamlessly with the lines of the fork legs and adds stability to the front end for improved handling
 - 100% billet aluminum construction
 - CNC-machined fender mounts and brake caliper mounts
 - Choose Factory/Axial style caliper mounts or Radial style caliper mounts
 - Fork legs with Factory/Axial style caliper mounts are designed for 11,8" front rotors (14" oversized rotors can be used only when adding Arlen Ness 14" brake calipers; will not work with Arlen Ness or aftermarket caliper adapters)
 - Fork legs with Radial style caliper mounts have a 100 mm bolt pattern (accepts both 11,8" and 14" rotors; 14" requires custom caliper spacers)
 - Designed for 18" to 21" front wheels
 - 18" fat front 180 mm wheels require an Arlen Ness fat front fender and exposed fork tubes (no fork boots)
 - 19" front wheels accepts factory front fenders and Arlen Ness/aftermarket fenders
 - 21" front wheels require an Arlen Ness or aftermarket front fender (custom fork brace spacers may be required)
 - Accepts factory or aftermarket performance suspension internals
 - Lightweight axle with billet 12-point style axle nuts included
 - Includes set of fork seals and billet dust seal covers
- NOTE:** Arlen Ness 14" six-piston brake calipers are required when using 14" oversized front brake rotors.



0403-0165



0403-0166

PART #	DESCRIPTION
FOR 14-21 FLHT/FLHR/FLHX/FLTRX/FLTRU/FLTRK	
0403-0165	Fork legs w/ Factory/Axial style caliper mounts
0403-0166	Fork legs w/ Radial style caliper mounts

DOWNDRAFT MIRRORS

- Elongated smooth flowing design
- Mirror head and stem forged from billet aluminum
- Heavy-duty stainless steel internal pivot hardware
- Medium sized mirror head blends in with the lines of the motorcycle, but shaped for great rear vision
- 13,7 cm W x 5,8 cm T (5,87" x 2,303")
- Standard and metric mounting hardware included
- Laser-engraved Arlen Ness logo
- Sold in pairs



0640-1521



0640-1522

PART #	DESCRIPTION
0640-1521	Black anodized
0640-1522	Chrome

SADDLEMEN

Want great style and long-haul comfort? Switch up to a Saddlemen seat for your ride. They offer a large variety of shapes, styles and stitch patterns on their seats to give you the best fit and long-haul comfort. In addition, Saddlemen now has DXT saddlebag mount kits available to fit FXD and M-Eight Softtail models.



HEATED ROAD SOFA LS SEAT

- Lattice stitch (LS) seat infuses old-school lattice stitch retro styling with a modern twist
- Two-level heat adjustment that easily connects to bike's electrical system
- Independently controlled heating elements for rider and passenger
- Brightly colored LEDs indicate level of heat
- Seat's styling and function is unaffected by switches or wiring
- Refined split-cushion design separates the seating surface from the lumbar support to reduce tailbone/back pressure for maximum long-range comfort
- Features a combination of progressive density foam and GelCore™ inserts for superior driver and passenger comfort

- Has a perforated, ventilated leather cover for the ultimate in luxurious comfort, feel and looks
- Protective rain cover included
- Passenger pillion area has received special attention for comfort and to allow a clear view of the road ahead
- Available with driver's backrest

PART #	DESCRIPTION
0801-1390	Heated Road Sofa LS seat w/ driver's backrest



HEATED ROAD SOFA CF SEAT

- Constructed from contrasting carbon fiber weave and SaddleHyde™
- Two-level heat adjustment that easily connects to bike's electrical system
- Independently controlled heating elements for rider and passenger
- Brightly colored LEDs indicate level of heat
- Styling and function are unaffected by switches or wiring
- GelCore™ in front and rear reduces tailbone pressure and increases circulation and comfort for both driver and passenger
- Tall lumbar support and wide driver saddle support the back and legs for superior comfort, while the streamlined nose improves the rider's reach to the ground
- Available with driver's backrest

PART #	DESCRIPTION
FOR 97-07 FLT/FLHT/FLTR (EXCEPT FLHX/FLHR)	
0801-1392	Heated Road Sofa seat w/ driver's backrest



HEATED ROAD SOFA PILLOW TOP SEAT

- Two-level heat adjustment that connects easily to bike's electrical system
- Independently controlled heating elements for rider and passenger
- Brightly colored LEDs indicate level of heat
- Seat's styling and function is unaffected by switches or wiring
- Refined split-cushion design separates the seating surface from the lumbar support to reduce tailbone/back pressure for maximum long-range comfort
- Features a combination of progressive-density foam and GelCore™ inserts for superior driver and passenger comfort
- Pillowed soft upholstery cover backed by a compliant foam layer under the cover to provide incredible comfort and style
- Classic styled button-tufted cover
- Available with driver's backrest

PART #	DESCRIPTION
FOR 97-07 FLT/FLHT/FLTR (EXCEPT FLHX/FLHR)	
0801-1394	Heated Road Sofa PT seat w/ driver's backrest



HEATED ROAD SOFA PILLOW TOP SEAT

- Two-level heat adjustment that connects easily to bike's electrical system
- Independently controlled heating elements for rider and passenger
- Brightly colored LEDs indicate level of heat
- Seat's styling and function is unaffected by switches or wiring
- Refined split-cushion design separates the seating surface from the lumbar support to reduce tailbone/back pressure for maximum long-range comfort
- Features a combination of progressive-density foam and GelCore™ inserts for superior driver and passenger comfort
- Pillowed soft upholstery cover backed by a compliant foam layer under the cover to provide incredible comfort and style
- Classic styled button-tufted cover
- Available with driver's backrest

PART #	DESCRIPTION
FOR 97-07 FLT/FLHT/FLTR (EXCEPT FLHX/FLHR)	
0801-1394	Heated Road Sofa PT seat w/ driver's backrest



ROAD SOFA SEAT

- Constructed from contrasting carbon fiber weave and SaddleHyde™
- GelCore™ in front and rear reduces tailbone pressure and increases circulation and comfort for both driver and passenger
- Tall lumbar support and wide driver saddle support the back and legs for superior comfort, while the streamlined nose improves the rider's reach to the ground
- Available with driver's backrest



PART #	DESCRIPTION
FOR 97-07 FLT/FLHT/FLTR (EXCEPT FLHX/FLHR)	
0801-1391	Road Sofa seat w/ driver's backrest



ROAD SOFA PILLOW TOP SEAT

- Refined split-cushion design separates the seating surface from the lumbar support to reduce tailbone/back pressure for maximum long-range comfort
- Features a combination of progressive density foam and GelCore™ inserts for superior driver and passenger comfort
- Pillowed soft upholstery cover backed by a compliant foam layer under the cover to provide incredible comfort and style
- Classically styled button-tufted cover
- Available with driver's backrest



PART #	DESCRIPTION
FOR 97-07 FLT/FLHT/FLTR (EXCEPT FLHX/FLHR)	
0801-1393	Road Sofa PT seat w/ driver's backrest



0802-1447

SPEED MERCHANT PRO SERIES SEATS

- Slim design follows the contour of the frame
- Perforated leather center piece with diamond stitching
- Combines a GelCore™ interior and Ultra-Foam to create a perfect balance of rigidity and user compliance
- Ultra-Foam's unique molding process creates an element-resistant self-skinning process that seals the foam and enhances the seat's durability

PART #	DESCRIPTION
0802-1447	For 18-22 FXBB/FXBBS/FXST

PART #	DESCRIPTION
0802-1448	For 18-22 FXLR/FXLRS/FXLRST/FLSB

DYNOJET

POWER COMMANDER V

- Fuel and timing control
- Rev Xtend increases Rev limit
- The Power Commander V can read the exact engine temperature through the bike's ECM, which allows the tuner to choose how much fuel to add during cold starts
- Cold starting on heavily modified engines should be more controllable and easy to adjust
- USB powered from computer
- Two position map-switching function built-in (switch not included)
- Can add any SPST switch and toggle between two different fuel/timing maps
- Gear/speed input allows for map adjustment based on gear
- Analog input allows user to install any 0-5 volt sensor
- Builds an adjustment table based on analog input, such as boost or temperature
- Power Commander V is capable of allowing each cylinder to be mapped individually and for each gear with the gear position input connected
- Ten throttle position columns
- World's largest dyno-tested map database
- Enhanced "accel pump" utility



PART #	DESCRIPTION
1020-3490 ¹	For 21 FLHT/FLHX/FLHR/FLTRX/FLTRU

¹ Includes ignition adjustment.

VANCE & HINES

VANCE HINES

For more than 40 years, Vance & Hines has been a leader in motorcycle performance. Their high-performance air intake kits are engineered to maximize airflow for a boost in performance, along with a unique custom look for your bike. Bolt one on and give your bike the Vance & Hines performance edge.



1010-2887



1010-2890

NAKED V02 AIR INTAKES

- A high-flow replacement kit with greater airflow
- CNC-machined venturi
- Includes a washable high-flow and reusable air filter
- Larger inlet backing plate

PART #	DESCRIPTION
1010-2892 ^{1, 2}	For 17-21 FLHT/FLHR/FLHX/FLTRX/H-D FL Trike models, 18-21 Softail models
1010-2887 ¹	For 01-17 Twin Cam w/ Delphi EFI, 99-06 Twin Cam w/ CV carb (except 08-17 Dressers, Dyna, X-Bones, 16-17 Softails)
1010-2888 ¹	For 08-17 FXD/FXDWG models (except FXDLS)

PART #	DESCRIPTION
1010-2889 ¹	For 91-21 XL models (except 21 Sportster S/RH1250S)
1010-2890 ¹	For 15-20 XG 500/750

¹ Will not accept stock cover, must use Vance & Hines Skullcap outer covers (sold separately, see page 584 of the 2022 Parts Europe FatBook).

² CVO/114" models and models with SE Stage 1 air cleaners will require support bracket H-D part #16400049 to install.

VANCE HINES

VO2



1010-2908



1010-2673



1010-2675

VO2 CAGE FIGHTER AIR INTAKE KITS

- Designed for maximum airflow to the filter element while providing a custom look
- Include washable high-flow filter element
- Feature large inlet backing plate and billet venturi

NOTE: CVO/114" models and models with SE Stage 1 air cleaners will require support bracket H-D part #16400049 to install.



MAX HP AIR CLEANERS

- CNC-machined aluminum backing plate
- Internal rubber breather tubes to eliminate oil leakage
- Internal power cone design for smooth, laminar airflow
- Innovative conical design for improved knee clearance
- Contrast Cut™ finish starts with a polished air cleaner that has been black anodized, then recut to open the design
- Black Ops™ finish features gloss black on top of a contrasting textured black finish for outstanding durability and looks
- All mounting hardware and gaskets included

PART #	DESCRIPTION
FOR 17-21 FLHT/FLHR/FLHX/FLTRX/FLTRU	
1010-2908	Brushed
FOR 08-16 FLHT/FLHR/FLHX/FLTR/H-D FL TRIKES, 16-17 FXDLS, 16-17 SOFTTAILS, 14-15 FLSTNSE, 13-14 FXSBSE AND 11-12 FLSTSE	
1010-2907	Brushed
FOR 18-21 FXBB/FXBR/FXFB/FXLR/FLDE/FLFB/FLHC/FLSB/FLSL	
1010-2908	Brushed
FOR 01-17 TWIN CAM W/ DELPHI EFI, 99-06 TWIN CAM MODELS W/ CV CARB (EXCEPT 08-17 FLHT/FLHR/FLHX/FLTR/H-D FL TRIKES, 16-17 FXDLS, 16-17 SOFTTAILS, 14-15 FLSTNSE, 13-14 FXSBSE AND 11-12 FLSTSE	
1010-2906	Brushed
FOR 91-21 XL (EXCEPT 21 SPORTSTER S/RH1250S)	
1010-2905	Brushed
1010-2901	Black contrast

PART #	DESCRIPTION
FOR 17-20 FLHT/FLHR/FLHX/FLTRX/FLTRU/FLTRK, 18-20 SOFTTAILS W/ 107"/114" MOTOR	
1010-2673	Contrast Cut™
1010-2675	Black Ops™



1010-2670



10101-2671



1010-2672



JET AIR CLEANERS

- Low-profile and lightweight air cleaner is CNC-machined from billet aluminum
- Innovative and versatile design allows unit to be mounted in the vertical or horizontal position
- Compact design for improved knee clearance
- Features PM's proven internal crankcase venting system
- Features a high-flow reusable air filter
- Contrast Cut™ finish starts with a polished air cleaner that has been black anodized, then recut to open the design
- Black Ops™ finish features gloss black on top of a contrasting textured black finish for outstanding durability and looks

PART #	DESCRIPTION
FOR 17-21 FLHT/FLHR/FLHX/FLTRX/FLTRU/FLTRK, 18-21 SOFTTAILS W/ 107"/114" MOTOR	
1010-2670	Contrast Cut™
1010-2671	Chrome
1010-2672	Black Ops™

BURLY BRAND

Brothers Tom and Dan started bending tubing and getting it chrome-plated. That simple start was the birth of Burly Brand. More than three decades later, they continue to produce cool custom parts that are sought after around the world when you want to give your American V-Twin that “keep it custom” Burly Brand touch.



0601-5703



0601-5708



32 MM (1 1/4") DOMINATOR HANDLEBARS

- Provide a responsive handling position without sacrificing comfort or looks
- Choose between straight riser or raked riser version
- Tube diameter is 32 mm (1,25"), stepped down to 25,4 mm (1") for use with stock hand controls
- Laser cut, welded, deburred and slotted for easy internal wiring
- Bars are crowned for electronic Throttle-By-Wire applications
- 30,5 cm (12") and 35,5 cm (14") bars require longer cables/lines/electrical for installation and will not fit models with integrated lower clamp



0601-5697



0601-5702

BLACK POWDERCOAT	MATTE BLACK	END RISE	WIDTH	CENTER WIDTH	PULLBACK
STRAIGHT RISER					
0601-5703	0601-5704	25,5 cm (10")	73,5 cm (29")	9 cm (3 1/2")	10 cm (4")
0601-5705	0601-5706	30,5 cm (12")	73,5 cm (29")	9 cm (3 1/2")	10 cm (4")
0601-5707	0601-5708	35,5 cm (14")	73,5 cm (29")	9 cm (3 1/2")	10 cm (4")
RAKED RISER					
0601-5697	0601-5698	25,5 cm (10")	73,5 cm (29")	9 cm (3 1/2")	12,5 cm (5")
0601-5699	0601-5700	30,5 cm (12")	73,5 cm (29")	9 cm (3 1/2")	12,5 cm (5")
0601-5701	0601-5702	35,5 cm (14")	73,5 cm (29")	9 cm (3 1/2")	12,5 cm (5")

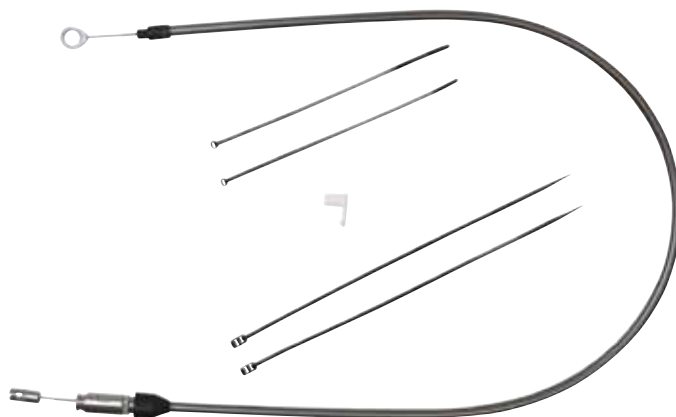


FAIRING SUPPORT BRACKETS

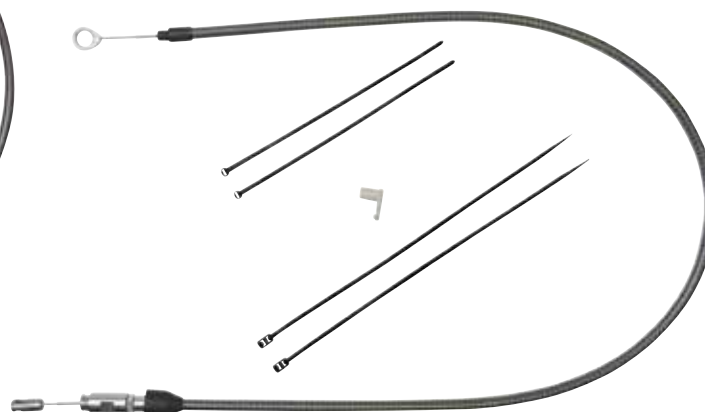
- Constructed of laser-cut steel and formed with a powdercoat black finish
- Allows user to remove the engine guard from the bike for a clean look
- Also allows for the use of the LA Choppers Twin Peaks engine guard on 2021 FLTRXS models
- Includes all necessary hardware to install



PART #	DESCRIPTION
2330-0262	For 04-21 FLTRX/FLTRU/FLTRK models

BLACK PEARL**KARBONFIBR**

Black pearl



KarbonFibr

QUICK CONNECT BRAIDED UPPER CLUTCH CABLES

- Quick Connect braided upper clutch cables economically replace the OE upper cable section on 2018-2021 Softails and 2021 Touring models
- Easily and quickly connects to the existing lower cable section
- Significantly reduces installation time, plus there's no need to drain transmission fluid
- Unique design reuses OE cover and housing parts
- Quick Connect cables feature the industry's highest quality braid in two color choices to complement your bike: Black Pearl or KarbonFibr
- KarbonFibr braid is created from metallic distinct black tone colored wire, blended and interwoven to mimic the distinct look of carbon fiber
- Braid color and weave match on all Magnum control cables and brake lines
- Crystal-clear outer jacket will never discolor and provides exceptional protection against scuffing paint and chrome
- Black chrome-plated handlebar fittings
- Low-effort, high-efficiency cable design meets or exceeds OE specifications for fitment, construction and endurance
- Upper cables are made with anti-friction inner liners and are factory lubricated for smooth, consistent, long lasting operation

ALTERNATE LENGTH

BLACK PEARL	KARBONFIBR	TOTAL LENGTH (CM)	TRAVEL (MM)
FOR 21 FLTRK/FLTRX/FLTRXS/FLHR/FLHRXS, 18-20 FLDE, 18-21 FLHC/FLHCS/FLSL/FLFB/FLFBS/FLXR/FXBB/FXBBS/FXBR/FXBRS/FXFB/FXFBS/FXST, 19-20 FXDR/FXDRS, 19-21 FLSB, 20-21 FXLR/FXLRS			
0652-2473	0652-2499	86,5 (34")	59 (2 ⁵ / ₁₆ "
0652-2474	0652-2500	91,5 (36")	59 (2 ⁵ / ₁₆ "
0652-2475	0652-2501	96,5 (38")	59 (2 ⁵ / ₁₆ "
0652-2476	0652-2502	101,5 (40")	59 (2 ⁵ / ₁₆ "
0652-2477	0652-2503	106,5 (42")	59 (2 ⁵ / ₁₆ "
0652-2478	0652-2504	112 (44")	59 (2 ⁵ / ₁₆ "
0652-2479	0652-2505	114,5 (45")	59 (2 ⁵ / ₁₆ "
0652-2480	0652-2506	117 (46")	59 (2 ⁵ / ₁₆ "
0652-2481	0652-2507	122 (48")	59 (2 ⁵ / ₁₆ "
0652-2482	0652-2508	127 (50")	59 (2 ⁵ / ₁₆ "
0652-2483	0652-2509	132 (52")	59 (2 ⁵ / ₁₆ "
0652-2484	0652-2510	137 (54")	59 (2 ⁵ / ₁₆ "
0652-2485	0652-2511	142 (56")	59 (2 ⁵ / ₁₆ "

STOCK LENGTH

FITS MODEL	BLACK PEARL	KARBONFIBR	TOTAL LENGTH (CM)	TRAVEL (MM)	OEM #
DRESSERS/TOURING					
For 21 FLTRK/FLTRX/FLTRXS	0652-2479	0652-2505	114,5 (45")	59 (2 ⁵ / ₁₆ "	37200439
For 21 FLHR/FLHRXS	0652-2477	0652-2503	106,5 (42")	59 (2 ⁵ / ₁₆ "	37200440
SOFTAIL					
For 20-21 FXLRS	0652-2473	0652-2499	86,5 (34")	59 (2 ⁵ / ₁₆ "	37200433
For 18-20 FLDE, 18-21 FXFB/FXFBS, 19-20 FXDRS	0652-2474	0652-2500	91,5 (36")	59 (2 ⁵ / ₁₆ "	37200219
For 19-21 FLSB, 18-21 FLSL/FXBR/FXBRS	0652-2475	0652-2501	96,5 (38")	59 (2 ⁵ / ₁₆ "	37200215
For 18-21 FLHC/FLHCS, 18-20 FLXR	0652-2476	0652-2502	101,5 (40")	59 (2 ⁵ / ₁₆ "	37200218
For 18-21 FLFB/FXBB/FXBBS/FXST, 18-21 FLFBS	0652-2477	0652-2503	106,5 (42")	59 (2 ⁵ / ₁₆ "	37200216

KURYAKYN

TRACER HEADLIGHT VENT ACCENTS

- Provide maximum LED surface area and output, with a sleek wraparound polycarbonate lens and ABS grille for open airflow
- Dual-function switchback white running lights with amber turn signals
- Plug-and-play installation
- Sold in pairs



PART #	DESCRIPTION
2020-2012	For 99-22 FLTR/FLTRX/FLTRU/FLTRK models



2020-2015

TRACER LOWER FAIRING ACCENT LIGHTS

- Significantly enhance front end's styling and increase visibility to oncoming motorists
- Intense, fully diffused LED lighting with full-time white running lights and amber switchback turn signals when activated
- Sold in pairs

PART #	DESCRIPTION
FOR 06-13 FLHT/FLHTC/FLHTCU/FLHTCUSE/FLHTK/FLHTCUTG/FLHX/FLHXSE/FLHXX MODELS	
2020-2015	Chrome
2020-2016	Satin black



2020-2016



2020-2010



2020-2011

TOUR-PAK® SIDE TRACER LIGHTS

- Deliver additional run, turn and brake lighting
- Streamlined design features fully diffused LED illumination
- Plug-and-play installation
- Sold in pairs

PART #	DESCRIPTION
FOR 14-21 H-D MODELS W/ TOUR-PAK®	
2020-2010	Red
2020-2011	Smoke



2020-2008



2020-2009

KURYAKYN

TRACER REAR SADDLEBAG LIGHTS

- Provide red run, turn and brake lighting
- Clean, fully diffused, solid LED illumination with no dots or shadowing
- Plug-and-play installation, no drilling required
- Low-profile design installs beneath saddlebag lids
- Sold in pairs

PART #	DESCRIPTION
FOR 14-21 FLHT/FLHR/FLHX/FLTRX/FLTRU/FLTRK AND H-D FL TRIKE MODELS (14-21 FLHR/CVO MODELS RUN/TURN ONLY)	
2020-2008	Red
2020-2009	Smoke



2020-2013



2020-2014

KURYAKYN

TRACER FILLER PANEL LIGHTS

- Streamlined design installs directly over the saddlebag filler panels
- Feature fully diffused LED illumination
- Provide triple-function red run, turn and brake lighting, covering the stock rear saddlebag filler panels
- Easy plug-and-play wiring and incorporates stylized antenna hole plugs for a clean, seamless look
- Sold in pairs

PART #	DESCRIPTION
FOR 14-21 FLHX/FLTR AND FLHRXS MODELS	
2020-2013	Red
2020-2014	Smoke



CRANKSHAFT SENSOR

- Advanced circuitry provides immunity from EMI, such as stray electromagnetic fields, power spikes and static electricity
- Meets ISO standards
- Fluorocarbon rubber oil seal ensures a secure fit
- Sealed construction withstands extreme conditions



PART #	DESCRIPTION
1022-0274	For 01-17 Twin Cam and 06-21 XL models (except 21 Sportster S/RH 1250S); repl. OEM #32707-01C



2010-1461



2010-1463



2010-1462



2010-1464

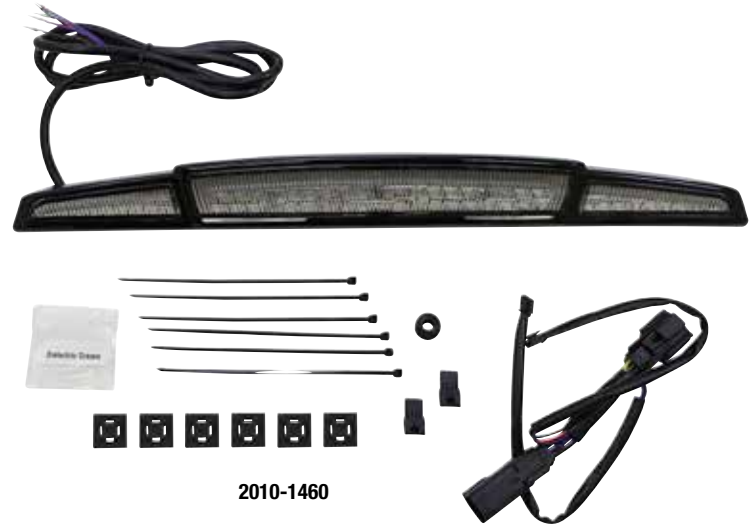
LATITUDE LIGHTSTRIKE™ TAILLIGHTS WITH LICENSE PLATE HOLDER

- Replaces the entire OEM lighting assembly for a complete rear end transformation
- Features brilliant LIGHTSTRIKE™ LED run, turn and brake light that is fully customizable, with a variety of animated functions and strobe effects that stand out in traffic
- Choose between 12 different power-on animations, 10 turn signal animations with strobe options, 3 brake animations and 5 brake burst modes
- Easy plug-n-play installation
- License plate mount has hidden fasteners for an extra-clean look
- Available in chrome or black with red or light smoked lens

PART #	DESCRIPTION
FOR 14-22 FLHX/FLTRX/FLHRXS MODELS	
2010-1461	Chrome w/ red lens
2010-1463	Black w/ red lens
2010-1462	Chrome w/ light smoked lens
2010-1464	Black w/ light smoked lens



2010-1457

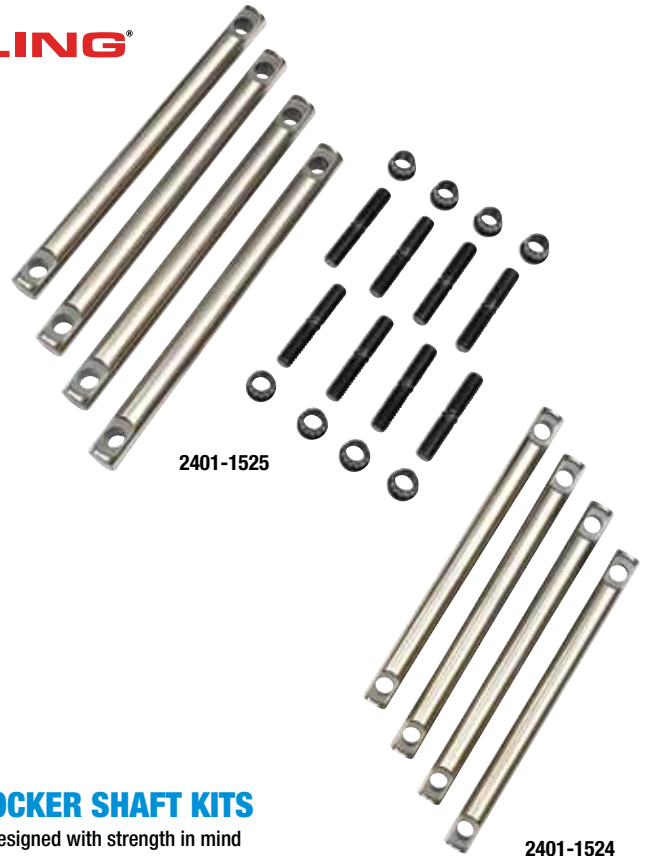


2010-1460

TRUNK LIGHTS FOR TOUR-PAK®

- Adds streamlined illumination to Tour-Pak lid
- Lightstrike™ technology adds run, turn and brake functions as well as a strobe effect
- Mounts with 3M VHB™ adhesive
- Plug-n-play installation

PART #	DESCRIPTION
FOR 14-22 TOURING MODELS W/ CHOPPED OR KING TOUR-PAK®	
2010-1457	Chrome, red lens
2010-1459	Chrome, light smoke lens
2010-1458	Black, red lens
2010-1460	Black, light smoke lens



3" VELOCITY STACKS WITH BACKING PLATES

- High flow design billet aluminum construction
- 4" opening with internal taper down to 62 mm ID
- Fits M-Eight throttle body three hole bolt pattern
- Impressive horsepower and torque gains on engines running modified and ported cylinder heads and intakes with larger throttle bodies
- Great performance part for racing and for those that want to head to the track on the weekend
- Includes the aluminum backing plate and needed hardware for standard head breathers

PART #	DESCRIPTION
FOR 17-21 FLHT/FLHR/FLHX/FLTRX/FLTRU/FLTRK/H-D TRIKE AND 18-21 SOFTAILS	
1010-2831	Raw machined aluminum with black backing plate
1010-2832	Raw machined aluminum with chrome backing plate

ROCKER SHAFT KITS

- Designed with strength in mind
- Over double the strength of factory rocker shafts
- Best possible material and heat-treat process available to create the best rocker shaft on the market
- Custom tooling was created to provide a countersink relief for the bolt/nut head versus machining away the entire end of the shaft per the factory design
- Precision ground from 4140HT steel
- Gas nitrated and final surface treated
- Recommended for all M-Eight engines and especially for engines running higher lift camshafts and heavier valve spring pressures

PART #	DESCRIPTION
FOR 17-21 TOURING AND 18-21 SOFTAILS	
2401-1525	Rocker shafts and stud/nut kit (includes four shafts, eight studs and eight nuts)
2401-1524	Rocker shafts (includes four shafts only)



VENTED DIPSTICK REBUILD KIT

- Fits all Feuling vented dipsticks and includes replacement K&N® filter element, rubber umbrella flapper valve, filter element, setscrew, 545™ Loctite and zip ties

PART #	DESCRIPTION
1012-0254	Vented dipstick rebuild kit



REPLACEMENT FILTER ELEMENT

- Fits all Feuling oil tank breather kits (Green filter or K&N®)

PART #	DESCRIPTION
1012-0253	Replacement filter element



0204-0575

REPLACEMENT GLOSS BLACK LACED WHEELS

- 40-spoke tube-type wheels feature gloss black powdercoat steel rims, chrome spokes and gloss black powdercoat steel hubs
- Fully assembled and trued with bearings installed and end play set
- Uses OEM mounting hardware; designed to use OEM-style rotors, pulleys and sprockets

NOTE: Check clearance between front caliper and spokes before operating. Minor caliper spacing may be required.

PART #	DESCRIPTION	VALVE STEM STYLE
FRONT WHEELS		
0203-0672	19" x 2,5" for 08-17 FXD (w/o ABS) (single disc)	CMV
0203-0671	19" x 2,5" for 00-03 FXD/B/C/L, 00-05 XL (single/dual disc); repl. OEM #43312-00A	CMV
0203-0663	21" x 2,15" for 00-06 FXST/B/C, 00-05 FXDWG; repl. OEM #43700-00, 43671-00	CMV
0203-0668	21" x 2,15" for 00-03 FXD/B/C/L, 00-05 XL (single/dual disc); repl. OEM #43557-00, 43557-00A	CMV

PART #	DESCRIPTION	VALVE STEM STYLE
FRONT WHEELS (CONT)		
0203-0673	21" x 2,15" for 84-96 FXST, 93-96 FXDWG, 84-86 FXWG (single disc); repl. OEM #43671-84	CMV
0203-0669	21" x 2,5" for 99 FXD, 86-99 XL (single or dual disc); repl. OEM #43557-87	CMV
REAR WHEELS		
0204-0571	16" x 3" for 86-96 FXST/FLST; 86-94 FXR; 91-96 FXD/FXDWG; repl. OEM #40975-86	SMV
0204-0575	17" x 4,5" for 08-17 FXD/FXDWG (w/o ABS)	SMV



1622-0486



1622-0140



FORWARD CONTROLS

- Chrome-plated or black anodized aluminum forward controls
- Replace OEM forward controls or convert from mid-controls
- Includes rubber insert footpegs, shift peg and mounting hardware; use stock brake master cylinder

NOTE: Not for use with 2-1 exhaust systems.



1622-0350

PART #	DESCRIPTION
FOR 14-21 XL MODELS (EXCEPT 21 SPORTSTER S/RH 1250S)	
1622-0486	Standard position, chrome
1622-0487	Standard position, black
1622-0488	2" extended, chrome
1622-0489	2" extended black
FOR 04-13 XL MODELS	
1622-0140	Standard position, chrome
1622-0349	Standard position, black
1622-0350	2" extended, black

PART #	DESCRIPTION
REPLACEMENT COMPONENTS	
1622-0143	Shift shaft lever (trans), chrome
1622-0351	Shift shaft lever (trans), black
1622-0144	Brake pedal, chrome
1622-0352	Brake pedal, black
1622-0146	Footpegs, chrome (pr.)
1622-0353	Footpegs, black (pr.)



FORWARD CONTROLS

- Sturdy steel construction
- Polished with a brilliant chrome finish
- Male mount footpegs and shift peg not included; use standard pegs to achieve the look you want
- Use stock rear master cylinder
- Includes all necessary mounting hardware

NOTE: When installing extended forward controls, check front fender clearance before operating.

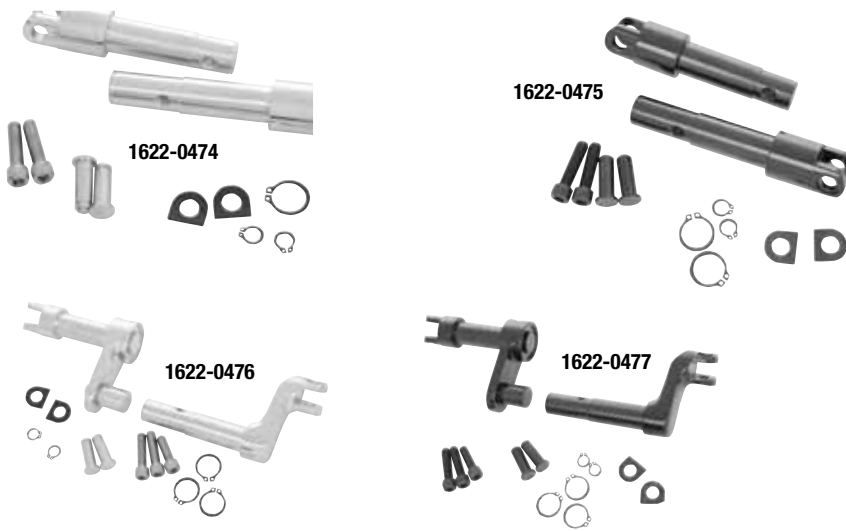


PART #	DESCRIPTION
1622-0193	For 99-17 FXD models (except 10-17 FXDWG/FXDF w/ stock exhaust)

XL FORWARD CONTROL CONVERSION KITS

- Late-model XL models with forward controls no longer allow the fitting of standard rider footpegs; these kits let you mount standard footpegs on the late model XL's with forward controls
- Also works as replacement footpeg mounts on select OEM and Drag Specialties forward control kits for 04-16 XL models
- Kits include a left and right footpeg mount in either chrome or anodized black finish complete with mounting hardware
- Available in standard length or +2" extended length

NOTE: If converting standard forward controls to extended, a longer shifter linkage rod (10 1/4" long) is also required, available separately. We suggest using the 2" extension, PART #1601-0003 along with the original linkage rod.



PART #	DESCRIPTION
FOR 11-21 XL1200C/X/XS/V MODELS	
1622-0474	Standard length, chrome
1622-0475	Standard length, black

PART #	DESCRIPTION
FOR 11-21 XL1200C/X/XS/V MODELS (CONT)	
1622-0476	2" extended length, chrome
1622-0477	2" extended length, black



FORWARD CONTROLS WITHOUT PEGS

- Kit includes chrome motor mounts, shifter arm, brake pedal, linkage rods for brake and shifter and mounting hardware
- Accepts most styles of male mount footpegs and shifter pegs (must be purchased separately)

NOTE: Controls are compatible with 883/1200C styles of exhaust only. Not for use with some types of highway bars.

NOTE: Not for use with 2-1 exhaust systems.

PART #	DESCRIPTION
FOR L87-03 XL (EXCEPT 883R W/ 2-1 EXHAUST)	
DS-243528	Forward controls
1602-0074	Repl. shift lever
1601-0166	Repl. shift linkage kit
1610-0015	Repl. brake pedal



FORWARD CONTROL RELOCATION KITS

- PART #s 1622-0194 and 1622-0497 relocate the position of Drag Specialties forward control kit PART #1622-0193 (see the 2022 Parts Europe Drag Specialties FatBook)
- PART #1622-0496 relocates the position of Drag Specialties standard forward control kits PART #s 1622-0140 and 1622-0349 (see the 2022 Parts Europe Drag Specialties FatBook)
- Rearward -1" and -2" relocation kits make it easier for shorter riders to reach the pegs

NOTE: When installing extended forward controls, check front fender clearance before operating.

PART #	DESCRIPTION
FOR 99-17 FXD MODELS (EXCEPT 10-17 FXDWG/FXDF W/ STOCK EXHAUST)	
1622-0194	+2" extension kit for forward control kit PART #1622-0193
1622-0497	-1" rearward relocation kit for forward control kit PART #1622-0193

1622-0194

1622-0497



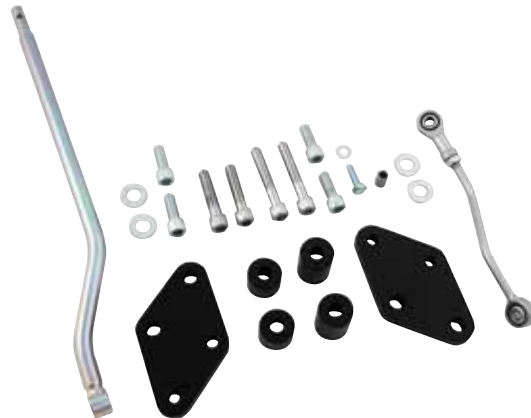
1622-0496

PART #	DESCRIPTION
FOR 04-13 XL MODELS	
1622-0496	-2" rearward relocation kit for forward control kit PART #1622-0140 or 1622-0349

REDUCED REACH FORWARD CONTROL RELOCATION KIT

- Kit relocates the stock OEM forward controls 2" rearward
- Provides additional leg space by moving the pegs outward
- Kit includes mount plates, spacers, shift linkage rod, brake linkage rod and mounting hardware

PART #	DESCRIPTION
1622-0525	For 14-20 XL models w/ OEM forward controls



FORWARD CONTROL EXTENSION KITS

- Extends the OEM forward controls 3"
- Aluminum construction
- Hardware included
- An extended length custom rear brake line is required when installing

NOTE: When installing extended forward controls, check front fender clearance before operating.

PART #	DESCRIPTION
FOR 18-21 FLSB, FXBR/FXBR5, FXFB/FXFB5	
1622-0553	Chrome
1622-0554	Black



1622-0554



“RAIL” FOOT PEGS

- Another unique design from Drag and Arlen Ness
- Protective rubber rails run completely around diameter for great looks no matter how pegs rotate or pivot
- Each is precisely die-cast, chrome-plated aluminum
- End cap is super-clean and uses a Grade-8 countersunk flat-head socket screw
- Very tight tolerances ensure a great-quality, superstrong footpeg assembly
- Carbon-steel pivot ends are stronger than other die-cast pivots
- Peg diameter is 1,5” (between a standard large-size driver and the smaller passenger-style pegs); length is 4” without pivot end
- Sold in pairs with pivot ends installed

NOTE: See page 1699 of the 2022 Parts Europe FatBook for an explanation of footpeg mount styles.



DS-253696



DS-253700

PART #	DESCRIPTION
DS-253696	“Rail” pegs w/ male-mount
DS-253700	Small dia. (1¼”) “Rail” footpegs w/ male-mount



1620-1847



1620-1889



DS-253743



DS-253515



DS-253517

SOFT-RIDE FOOTPEGS AND SHIFTER PEGS

- Designed to absorb vibrations
- Hollow core, long-lasting neoprene rubber insert cleats are isolastically mounted on a special chrome socket-head bolt
- Shifter peg and replacement components are also available

NOTE: See page 1699 of the 2022 Parts Europe Drag Specialties FatBook for an explanation of footpeg mount styles.

PART #	DESCRIPTION
M-EIGHT SOFTAIL/ELW/PAN AMERICA DRIVER FOOTPEGS	
1620-1891	Large diameter, chrome (pr.)
1620-1892	Large diameter, black (pr.)
M-EIGHT SOFTAIL/ELW/PAN AMERICA PASSENGER FOOTPEGS	
1620-1847	Large diameter, chrome (pr.)
1620-1848	Large diameter, black (pr.)
13-17 FXSB/FXSE, 11-13 FXS, 08-11 FXCW/C, 07-21 XL1200N/XL1200NS/XL1200T, 13-21 XL1200V/XL1200X/XL1200XS, 11-20 XL1200C/XL1200CX, 15-20 XG DRIVER FOOTPEGS	
1620-1838	Large diameter, chrome (pr.)
1620-1889	Large diameter, black (pr.)
MALE MOUNT FOOTPEGS	
1603-0352	Large diameter, black (pr.)
1603-0353	Small diameter, black (pr.)

PART #	DESCRIPTION
SHIFTER PEGS	
DS-253743	Extended 3¼” shifter peg, chrome (ea.)
1603-0351	Extended 3¼”, black (uses Allen bolt to install into shifter arm) (ea.)
1603-0360	Extended 3¼”, black (screws directly into shifter arm) (ea.)
1603-0350	Standard shifter peg, black (ea.)
REPL. COMPONENTS	
DS-253515	Repl. rubber, large peg (8-pk.)
DS-253516	Repl. rubber, small peg (8-pk.)
DS-253517	Repl. shifter peg rubber (set)



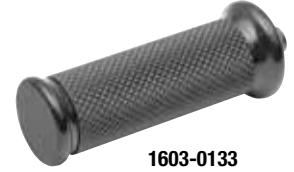
1620-0377



1620-0789



1603-0053



1603-0133

FOOTPEGS AND SHIFT PEGS

- Feature die-cast construction
- Knurled black nylon inserts for style and durability for all-day riding
- These unique male-mount footpegs and shift pegs are only available from Drag Specialties

PART #	DESCRIPTION
MALE-MOUNT FOOTPEGS	
1620-0377	Chrome (pr.)
1620-0789	Black (pr.)

PART #	DESCRIPTION
SHIFT PEGS	
1603-0053	Chrome (ea.)
1603-0133	Black (ea.)



CUSTOM FOOTPEGS, BRAKE AND SHIFT PEGS

- CNC precision-made from billet 6061-T6 aluminum
- Feature custom-tailored rubber grips for better performance and design
- Footpegs have male mounts to fit most Harley applications
- Brake and shift pegs are threaded and fit most stock brake and shifter levers
- Available in chrome, black with clear cuts or Stealth Tone black
- Brake and shift pegs sold each; footpegs sold in pairs

NOTE: See page 1699 of the 2022 Parts Europe Drag Specialties FatBook for an explanation of footpeg mount styles.



1603-0285



1620-1333



1603-0287

PART #	DESCRIPTION
MALE MOUNT FOOTPEGS	
1620-1332	Chrome
1620-1333	Black w/ clear cuts
1620-1334	Stealth Tone black

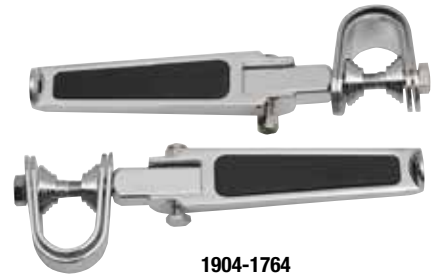
PART #	DESCRIPTION
BRAKE AND SHIFT PEGS	
1603-0285	Chrome
1603-0286	Black w/ clear cuts
1603-0287	Stealth Tone black



1904-6453



1904-6452



1904-1764



FOOTPEGS WITH RUBBER INLAY

- Fold-up design with a chrome finish
- Sold in pairs

NOTE: See page 1699 of the 2022 Parts Europe FatBook for an explanation of footpeg mount styles.

PART #	DESCRIPTION
1904-6453	Straight male-mount
1904-6452	Bolt-on (5/16" mount bolts)
1904-1764	U-clamp (fits 1 1/4" tube)

DS-253800



“POPSICLE” FOOTPEGS WITH O-RINGS

- Die-cast, diamond-shaped and highlighted by a black paint outline
- Mount to any 1” diameter engine guard or frame and comes complete with a three-piece tube clamp for easy mounting
- Unique design will not pinch the ankle like a round peg can
- O-rings included
- Sold in pairs

NOTE: See page 1699 of the 2022 Parts Europe FatBook for an explanation of footpeg mount styles.

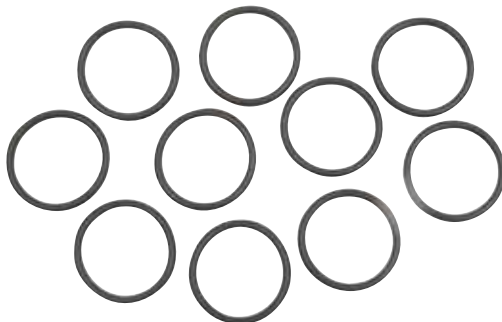
PART #	DESCRIPTION
DS-253800	Flat footpegs
DS-253019	Repl. O-rings, 1” x 3/32” (10-pk.)



CLAMP MOUNT FOOTPEGS

- Include chromed 1” and 1 1/4” steel clamps; designed for clamping pegs to frames or safety bars
- Sold in pairs

PART #	DESCRIPTION
DS-253300	Sundance clamp mount footpegs



NEOPRENE O-RINGS FOR SUNDANCE® PEGS

- Replacements for original Sundance neoprene O-rings
- 1” O-rings fit large driver pegs and flat kick pedal
- Sold in a 10-pk.

PART #	DESCRIPTION
DS-253019	Neoprene O-rings



STUD MOUNT FOOTPEGS

- A chromed 5/8” square steel block with 3/8”-24 thread is included for custom frame tab mounting
- Sold in pairs

PART #	DESCRIPTION
DS-253320	Sundance stud mount footpegs



DS-253330

DS-253340



DS-253342



DS-253400



DS-241010



SUNDANCE® FOOTPEGS

- Highly chromed custom footpegs have neoprene O-rings and are used for many applications
- Matching shift peg also available (sold separately)

NOTE: See page 1699 of the 2022 Parts Europe FatBook for an explanation of footpeg mount styles.

PART #	DESCRIPTION
DS-253330	5/8” female-mount footpegs
DS-253340	Small male-mount footpegs
DS-253342	5” male-mount footpegs
DS-253410	Large male-mount footpegs
DS-253400	Large female-mount footpegs
DS-241010	Shifter peg



DS-253410



DS-253404



DS-253405



DS-241065



DS-241060



DS-253406



DS-253407



DS-241050

CHROME FOOTPEGS AND SHIFT PEG WITH RUBBER SLEEVES

- Die-cast construction, rubber sleeves and highly polished chrome ends
- Feature the styling of our Sundance® pegs, but with molded rubber sleeves rather than O-ring grooves
- Sold in pairs unless noted

NOTE: See page 1699 of the 2022 Parts Europe FatBook for an explanation of footpeg mount styles.

PART #	DESCRIPTION
DS-253404	4" Rubber footpegs w/ large female mounts
DS-253405	Rubber footpegs w/ small female mounts
DS-253406	Rubber footpegs w/ male mounts
DS-253407	Rubber shift peg (ea.)

RUBBER REPLACEMENT DRIVER FOOTPEGS AND SHIFTER PEG

- Rubber driver pegs with zinc-plated steel inserts

NOTE: See page 1699 of the 2022 Parts Europe FatBook for an explanation of footpeg mount styles.

PART #	DESCRIPTION
DS-241065	Rubber driver pegs (pr.); repl. OEM #50939-52
DS-241060	Repl. rubber footrest cover for 86-90 XL (ea.); repl. OEM #50940-52
DS-241050	Rubber shifter peg (ea.); repl. OEM #34611-65



DS-253408



DS-253403

RUBBER VIBRATION-ABSORBING PASSENGER FOOTPEGS

- OEM-style passenger footpegs
- All have small male-mounts and are finished with chrome end caps
- Sold in pairs

NOTE: See page 1699 of the 2022 Parts Europe FatBook for an explanation of footpeg mount styles.

PART #	DESCRIPTION
DS-253408	Standard
DS-253403	Extended length (5")



1620-1849



1620-1890



1620-1839

RUBBER PASSENGER FOOTPEGS

- Feature molded rubber sleeves with chrome forged mounts
- Mount with existing stock hardware
- Sold in pairs

NOTE: See page 1699 of the 2022 Parts Europe FatBook for an explanation of footpeg mount styles.

PART #	DESCRIPTION
FOR 18-21 SOFTAIL/ELW/PAN AMERICA MODELS	
1620-1849	Passenger footpeg
1620-1890	Driver footpeg
FOR 13-17 FXSB/FXSE, 11-13 FXS, 08-11 FXCW/C, 07-21 XL 883N/XL1200N/XL1200NS/XL1200T/XL1200V/XL1200X/XL1200XS, 11-20 XL1200C/XL1200CX, 15-20 XG; REPL. OEM #S 51323-08, 51327-08	
1620-1839	Driver footpeg