



1810-3190



RACING LINE COMPLETE EXHAUST SYSTEMS

- A complete high-quality stainless steel exhaust system made with close attention to detail
- Unique design enables it to obtain the maximum output for each specific model of motorcycle while significantly reducing overall weight for top performance in everyday riding or even in the most challenging races
- Headpipes/collector/link pipe are made of stainless steel
- Muffler sleeves constructed from titanium or carbon fiber
- End caps constructed from titanium or carbon fiber

FITS MODEL	DESCRIPTION	APPROVALS	PART #
YAMAHA			
MT-09/FZ-09 24	3-into-1 header w/ carbon muffler and titanium end cap (compatible w/ side cases and central stand)	-	1810-3190
Tracer 9/GT/GT+ 21-24	3-into-1 header w/ titanium muffler and carbon end cap (catalytic converter included within the system; compatible w/ Yamaha hard cases and central stand)	EC/ECE Type Approval	1810-3189




EVOLUTION LINE FOR KAWASAKI KX450/KX450X 24

- The flagship of the Akrapovic exhaust system range
- Used and tested by top factory teams in motorcycle racing
- Each model is unique and dedicated to maximizing the engine's performance, while reducing overall weight for optimized overall handling of the motorcycle
- Made entirely of titanium
- Exhaust systems meet FIM noise limits, and feature a more durable welded bracket and titanium end cap
- A special technique for imprinting the logo on the muffler outer sleeve, which is now bigger and in a white and red color combination
- This technology provides a higher temperature threshold and greater durability for tough conditions
- No remapping is needed
- Simple plug-and-play installation



HEADER/MUFFLER TYPE

Titanium/titanium

PART

1820-2052



SLIP-ON SERIES MUFFLER AND HEADPIPE

- Slip-on muffler represents the first step in the exhaust system tuning process
- Easy to install and offers a great balance between price and performance
- More power, more torque, less weight and the unique Akrapovic sound
- Muffler sleeve constructed from carbon fiber
- End cap constructed from carbon fiber
- Optional stainless steel header offers an upgrade to a full system when used with the Akrapovic slip-on muffler (sold separately)



1811-4658

- Developed with larger diameter tubes to allow improved gas flow with less restriction
- Catalytic converter of the stock header is removed to add to the flow
- Easy plug-and-play installation
- Remapping recommended, but not mandatory
- Racetrack-oriented part and is intended for use on closed-course competition circuits only

FITS MODEL

DESCRIPTION

APPROVALS

PART

HONDA

XL750 Transalp 23-24

2-into-1 stainless headpipe

-

1812-0576¹

KAWASAKI

Ninja ZX-6R 09-24

Single carbon muffler/carbon end cap

EC/ECE Type Approval

1811-4658

¹ Fitting of the optional header will invalidate the EC/ECE Type Approval for Akrapovic Slip-On muffler.



AKRAPOVIČ



1860-0980

REPLACEMENT PARTS

- Replace lost or damaged exhaust parts
- Listed by Akrapovic replacement #
- Muffler repack kit includes dampening material, tapes, rivets and stickers
- Sold each

NOTE: Please see schematics on Akrapovic website for further details.

BLIND RIVETS (SOLD EACH)

AKRAPOVIC #	DESCRIPTION	PART #
P-BR7	Stainless steel (black D4, 8x12)	1860-2465
P-BR8	Stainless steel (clear D3, 2x6)	1860-2466

AKRAPOVIC #	DESCRIPTION	PART #
P-BR10	Stainless steel (clear D4, 8x9)	1860-2467

REPLACEMENT PARTS LISTED BY AKRAPOVIC

AKRAPOVIC #	PART #
END CAPS	
V-EC186	1860-0979
V-EC187	1860-0980
FLANGE SLEEVE	
P-85	1860-2179
LINK PIPE	
L-Y9R4	1812-0579
HEAT SHIELD	
P-HSVE3S02	1861-1750

AKRAPOVIC #	PART #
INSERT	
V-TUV349	1860-2452
MUFFLER	
M-AP01803T	1811-4679
MUFFLER BRACKET	
P-X139	1860-2292
V-EC207	1860-0982
MUFFLER REPACK KITS	
P-RPCK275	1861-1748

AKRAPOVIC #	PART #
MUFFLER REPACK KITS (CONT)	
P-RPCK301	1861-1749
NOISE DAMPER	
V-TUV062/TI/1	1860-0984
REPL. BOLT	
P-FB52	1860-2289

O₂ SENSOR PORT PLUG

- Plugs the exhaust sensor port on models that do not require an O₂ sensor
- Sold each

DESCRIPTION

18 mm x 1,5

PART

1860-1195

2501-4321



2501-4322



HATS

- Embroidered logo on the front and a red scorpion on the back
- 100% cotton
- One size fits most

DESCRIPTION	PART #	DESCRIPTION	PART #
Trucker cap, gray/black	2501-4321	Baseball cap, black	2501-4322

YOUTH TRUCKER CAP

- Embroidered red scorpion on the front
- One size fits most youth

DESCRIPTION	BLACK
Youth Trucker cap	2501-4323



HURRICANE WATERPROOF TAIL BAGS

- Universal waterproof tail bag made from heavy-duty UV-treated PVC tarpaulin material
- All seams are electronically heat welded
- Heavy-duty webbing and buckles for easy and secure mounting
- Rigid construction allows the bag to hold its shape when empty
- Protective base material prevents slipping or marking
- Inner self-fastening x-straps help to secure contents better
- Waterproof flap helps keep dust and dirt away from water resistant zippers
- MOLLE panel on lid allows other items to be strapped down
- Rubberized carry handle for easy transport



3516-0404



3516-0405

DESCRIPTION	PART #	DESCRIPTION	PART #
12 L Hurricane tail bag	3516-0404	28 L Hurricane tail bag	3516-0405

HURRICANE DUFFLE BAG

- 100% waterproof, made from PVC Tarpaulin
- All seams are electronically heat welded
- Watertight roll closure with quick release buckles
- UV-coated outer material cleans easily and prevents slipping or marking
- Securely mounts using patented RIGG STRAP® system which can also be used as a separate tie down system
- Removable internal panels help bag hold its shape
- Can be mounted across or along seat or tail section
- Purge valve makes for easy compression
- Dual-purpose carry handles can be used as compression straps
- Reflective accents for enhanced visibility
- Measures 61 cm L x 35,5 cm W x 35,5 cm H (24" x 14" x 14")



SIERRA DRY SADDLEBAGS STRAP KIT

- Set of 4 straps
- Universal fit

DESCRIPTION	PART #	DESCRIPTION	PART #
60 L	3516-0406	Strap kit	3501-2007

RIGG GEAR SADDLEBAG QUICK RELEASE PLATE

- Aircraft grade aluminum plate and mounting hardware
- Powdercoated and anodized finish for maximum durability
- Stainless steel screws and washers will not rust
- Fits most tubular pannier racks up to 18 mm and 20 mm racks with optional latch
- Compatible with racks offset for exhaust with optional aluminum extension
- Designed for Rigg Gear Hurricane and Sierra saddlebags
- Works with Sierra and other dual sport saddlebags with optional strap
- Accommodates most aftermarket soft panniers
- Lockable release latch (lock sold separately)
- Can be hard mounted to most plastic hard cases
- Rotopax Ready
- 13,6 kg (30 lb) weight limit or the weight limit of your pannier rack (whichever is less)
- Measures 35,5 cm L x 33 cm H (14" L x 13" H)
- Sold as a pair



3501-2004



3501-2005

DESCRIPTION	PART #
Rigg Gear saddlebag quick release plate	3501-2004
REPLACEMENT PARTS AND ACCESSORIES	
20 mm replacement catch	3501-2005
Saddlebag plate latch extension	3501-2006



PRO SIDE CARRIERS FOR YAMAHA MT-07 TRACER 16-24

- Extremely durable, 2,5 mm thick steel construction
- Fully removable with robust quick-release fasteners
- For permanent assembly, quick-release fasteners can be replaced by conventional M8 screws (sold separately)
- Off-road edition carriers offer extra strong support and block the quick-lock function to keep everything secure
- Black powdercoated finish
- Anti-theft protection available separately

DESCRIPTION	PART #
PRO side carriers	1510-1219

SLC SIDE CARRIERS FOR ROYAL ENFIELD HNTR 350 23-24

- Allows for simple and secure mounting on the bike's original attachment points
- Quick-release mounting system allows side bags to be easily attached or removed
- Provides secure hold for side bags, side cases, adapter plates and universal side bracket number plates
- Available for both the left and right sides of the motorcycle
- Includes mounting hardware



DESCRIPTION	LEFT PART #	RIGHT PART #
SLC side carriers	1510-1213	1510-1214

URBAN ABS TOP CASES

- Sporty, lightweight and robust top cases
- Constructed from thick ABS plastic
- Carrying capacity can expand from 16 liters to 29 liters
- Can fit one helmet when fully expanded
- Convenient carrying handle
- Spacious mesh compartment on the inside of the lid
- Measures 40,5 cm L x 36 cm W x 21,5 - 46 cm H (16" L x 14 1/4" W x 8 1/2" - 18" H)



DESCRIPTION	PART #
Strap system top case	3516-0409



LEGEND GEAR SIDE BAG SYSTEM

FOR TRIUMPH STREET TWIN 16-24, STREET CUP 16-24

- Vintage, lightweight soft luggage design with modern support
- Coated canvas sailing material and robust synthetic leather reinforce the bags' structure
- Fiber-reinforced polyamide quick-lock system provides fast and reliable attachment and removal of the bags
- 26 cm L x 31 cm W x 14 cm H (10¹/₄" L x 12¹/₄" W x 5¹/₂" H); 9,8 liter carrying capacity
- Include a pair of side bags, two waterproof inner bags, two SLC side carriers and all required mounting hardware

DESCRIPTION

Side bag set

PART

3501-2046

PRO BLAZE SADDLEBAG SETS

- Lightweight and efficient aerodynamic design
- Constructed from durable UV-resistant 1680D ballistic nylon with water-resistant interior coating
- Side walls are made from dimensionally stable laminated EVA plastic
- Zippered volume expansion from 15 liters to 20 liters
- Include removable support arms that prevent contact with the rear tire
- A wide back strap attaches over the seat to connect the bags while providing additional support, stability and weight distribution
- Main pocket can be loaded from the top
- Reflective trim enhances visibility
- Solid carrying handle



- High saddlebag set's backstrap is attached higher on the seat to prevent bags from high-placed exhaust
- Sold in pairs
- Pairs of replacement saddlebags also available

FITS MODEL

PART

HONDA

CB500X 13-24

3501-2045

NX500 23-24

3501-2045

KAWASAKI

Ninja 650 16-24

3501-2073

Z650 16-24

3501-2073

Z900 16-24

3501-2074

Z900RS/SE/Cafe 17-24

3501-2075

Z H2 19-24

3501-2070

FITS MODEL

PART

TRIUMPH

Trident 660 21-24

3501-2072

Street Triple 765 19-24

3501-2076

YAMAHA

MT-07 20-24

3501-2071

FZ8/FZ8 Fazer 10-24

3501-2047

FZ1/FZ1 Fazer 05-16

3501-2047



3521-0234

BLAZE PANNIER SPACERS

- Mounting support arms for Blaze saddlebags
- Allows riders to keep their Blaze saddlebags when they switch motorcycles

FITS MODEL	PART #
BMW	
S 1000 R/RR 12-16	3521-0238
HONDA	
CB650R 18-20	3521-0232
CBR650R 18-24	3521-0232

FITS MODEL	PART #
KAWASAKI	
Z900/SE 16-24	3521-0234
Z900RS/SE/Cafe 17-24	3521-0235
SUZUKI	
GSX-S950 21-24	3521-0233
GSX-S1000/F 16-21	3521-0233

FITS MODEL	PART #
TRIUMPH	
Trident 660 21-24	3521-0236
YAMAHA	
MT-07/Pure 20-24	3521-0237

STREET-RACK FOR KAWASAKI ZZR1400 06-14

- Compact design is perfectly suited for sport bikes and smaller street bikes
- Constructed of 5 mm-thick aluminum alloy
- Simple assembly on the original mounting points
- Adapter plates (sold separately) can be securely locked to the rack without the use of tools
- Black powder coated finish



DESCRIPTION	PART #
Street-rack	1510-1212

PROTECTION BARS

- Offer reliable protection for important components
- Model-specific design fits seamlessly with the lines of the bike and provides optimal cornering clearance
- No modifications needed for mounting
- Black powdercoated finish, unless noted
- Match the look and feel of the motorcycle
- 27 mm diameter
- Sold in pairs
- Include mounting hardware and instructions

FITS MODEL	PART #
DUCATI	
DesertX 22-24	0505-2477
HONDA	
NX500 23-24	0505-2441
XL750 Transalp 22-24	0505-2478
CBF1000 06-09	0505-2443



0505-2477

FITS MODEL	PART #
KTM	
Adventure 790 23-24	0505-2442
Adventure 890/R 22-24	0505-2442
SUZUKI	
V-Strom 800/DE 22-24	0505-2440



ENGINE GUARDS

- Provides additional protection against rocks and contact with the ground
- High-quality aluminum alloy construction
- Secure fit doesn't affect ground clearance
- Easy installation on frame mounting points
- Protects header and exhaust parts
- Cutouts allow access to oil drain screws
- Black finish

FITS MODEL	PART #
APRILIA	
Tuareg 660 21-24	0506-2275



0506-2275

FITS MODEL	PART #
HONDA	
CB500X 18-24	0506-2174
NX500 23-24	0506-2174

FITS MODEL	PART #
KTM	
Adventure/R 790 19-24	0506-2175
Adventure/R 890 20-24	0506-2175

HEADLIGHT GUARDS

- Offers protection for factory headlights
- Sturdy steel construction
- Does not reduce light output
- Black powdercoated finish
- Simple installation with included mounting hardware



FITS MODEL	PART #
SUZUKI	
V-Strom 1050 20-24	2001-2793

CENTERSTANDS

- Bike-specific design allows for easy mounting and a high-cornering clearance
- Easily lifts up motorcycle
- Highly corrosion-resistant
- Ideal for keeping the load off the tires during long periods of storage
- Black powdercoated surface
- Mounting hardware included

FITS MODEL	PART #
HONDA	
CBF500 04-06	0510-0685
CB500X 18-24	0510-0676



0510-0685

FITS MODEL	PART #
HONDA (CONT)	
NX500 23-24	0510-0676
CBF600 04-06	0510-0685



ADVENTURE HANDGUARD KIT

- Simple two-point mounting without special tools
- Bike-specific aluminum bracket with high-quality powder coating
- Protects hands from weather, rocks and branches
- Protects the handlebars in the event of a fall
- Constructed from impact-resistant plastic
- Matte black finish
- Includes mounting hardware and instructions

FITS MODEL	PART #
BMW	
R 1250 GS/Adventure 18-23	0635-2509
DUCATI	
Scrambler 1100/Special/Sport/Tribute Pro 17-24	0635-2509
HONDA	
CB500X 18-24	0635-2510

FITS MODEL	PART #
HONDA (CONT)	
NX500 23-24	0635-2510
Transalp 750 22-24	0635-2539
KTM	
790 Adventure/R 19-24	0635-2509
890 Adventure/R 20-24	0635-2509
1290 Super Adventure/R/S/T 14-24	0635-2509



0635-2509

DESCRIPTION	PART #
Extension set for Adventure handguards	0635-2503
Crash pad set for Adventure shells	0635-2504

SPORT HANDGUARD KIT

- Simple two-point mounting without special tools
- Bike-specific aluminum bracket with high-quality powder coating
- Protects hands from wind, cold and rain
- Protects the handlebars in the event of a fall
- Constructed from impact-resistant plastic
- Matte black finish
- Includes mounting hardware and instructions

FITS MODEL	PART #
HONDA	
CB500X 18-24	0635-2496

FITS MODEL	PART #
HONDA (CONT)	
NX500 23-24	0635-2496

FITS MODEL	PART #
HONDA (CONT)	
XL 750 Transalp 23-24	0635-2538



0635-2496



BBSTORM HANDGUARDS FOR YAMAHA MT-07 20-24

- Made of impact-resistant Moplen plastic
- Strong, full-wrapped aluminum frame
- Offer weather and crash protection
- Fit the original handlebars
- Replacement handguard shells available separately
- Sold in pairs

DESCRIPTION	PART #
Handguard kit	0635-2493



0615-0391

LEVER GUARDS FOR HONDA CB750 HORNET 22-24

- Offer brake and clutch lever protection
- Guards with wind protectors provide additional protection in falls and accidents
- Impact-resistant, high-quality milled construction with a sporty look
- Simple mounting with two included screws
- Universal fit wind protectors also available separately
- Sold in pairs

DESCRIPTION	PART #
Lever guards	0615-0391
Lever guards with wind protection	0615-0392



GEAR LEVERS

FOR HONDA CB500X 22-24, NX500 23-24

- Modern, two-piece design and constructed with CNC-milled aluminum
- Spring mechanism enables lever to be folded down and protects it in case of a crash
- Can be adjusted 1 cm, 2 cm or 3 cm beyond the original position
- Scratch resistant

DESCRIPTION	PART #
Gear lever	1602-1590



EVO FOOTREST KITS

- Enhance stability, comfort and traction in any conditions
- 36 adjustment options
- Include model-specific mounting hinge
- Offer excellent grip
- Rounded profile edges offer excellent grip
- Removable rubber insert increases surface area and provides extra support and comfort
- Sold in pairs

FITS MODEL	PART #
BMW	
S 1000 XR 19-23	1620-2607
KAWASAKI	
KLR650 01-24	1620-2607



EVO HIGH BEAM LIGHT KITS

- Wide-range high beam capacity with powerful, long-lasting LEDs
- Provides optimal lighting for both on- and off-road riding
- Water- and dust-resistant
- Includes two high beam lights, two light mounts, cable harness, handlebar switch and necessary mounting material

DESCRIPTION	PART #
Universal high beam kit with crash bar clamps	2001-2781



EVO FOG LIGHTS

- Increase safety and create better visibility in bad weather conditions
- Trouble-free and maintenance-free operation
- Water- and dust-proof
- Connect directly to the motorcycle, no changes to the electric system necessary
- Pairs of replacement fog lights available separately

FITS MODEL	PART #
HONDA	
CB500X 18-24	2001-2780
NX500 23-24	2001-2780
SUZUKI	
V-Strom 800 22-24	2001-2794



BRAKE PEDAL

FOR DUCATI DESERTX 22-24

- Bike-specific aluminum lever arm
- Robust construction, perfect fit: CNC-milled, HART-COAT® coated aluminum
- Better ergonomics and safe operation of the brake pedal
- High-quality milled tread for maximum stability
- Knurling increases grip and prevents slipping
- Platform features various adjustable positions
- STREET Tread included

DESCRIPTION	PART #
Brake pedal	1610-0715



BRAKE PEDAL EXTENSION

FOR HONDA CB500X 18-24, NX500 23-24

- Enhances original brake pedal with a wider raised surface
- Ridged surfaces improves grip even when wet or dirty
- Raised contact surface by 22 mm or 27 mm

DESCRIPTION	PART #
Brake pedal extension	1610-0714





OPTIMATE™ 2 DUO BRONZE SERIES

- Automatically adapts to the connected battery type and guarantees health lithium or lead-acid batteries
- Highly efficient with the ability to maintain any type of 12V lead-acid or 12,8V lithium battery within the 2Ah to 20Ah range
- Designed to be safe, secure for vehicle electronics, and ideal for long-term battery maintenance
- Features an automatic shut-down mechanism in case of short-circuiting or battery disconnection
- Available for both indoor and outdoor use with a weatherproof case with wall mounts (minimum temperature tolerance: -40 °C (-140 °F))
- Includes weatherproof battery lead & battery clip set



DESCRIPTION	PART #
Charger OptiMate™ 2 Duo Bronze	3807-0699



56,75 LITER (15 GALLON) SPRAYER KIT

- 56,75 liter (15-gallon) corrosion-resistant poly tank
- 12V diaphragm High-Flo pump, 2,7 liter per minute (1.0 GPM); 35 psi
- Full drain-out capability with molded-in drain port, cap and tether
- 12,75 cm (5") fill lid with tether
- Larger hose wrap horns for hose storage
- Gallon and liter fluid volume indicators on tank
- Molded wand clips
- 45 cm (18") lever hand wand with adjustable pattern tip
- 4,5 meter (15') hand wand hose
- Maximum horizontal throw is approximately 9 meters (30')
- Max vertical throw is approximately 4,5 meters (18')
- Must use with straps or tie-downs
- No booms available for this model

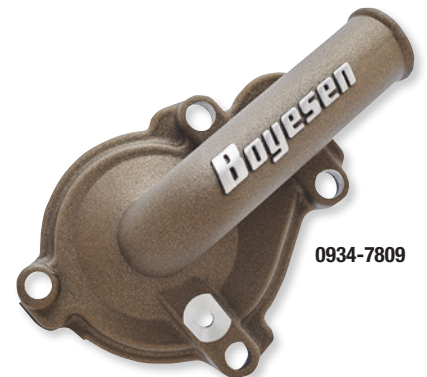
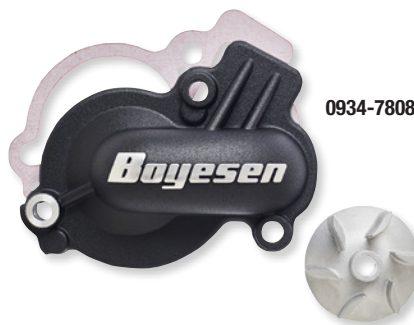


DESCRIPTION	PART #
Sprayer kit	4503-0132



SUPERCOOLER WATER PUMP COVER AND IMPELLER KITS

- Water pump cover and impeller combo specifically designed to enhance performance of engine cooling system
- Increases coolant flow at all rpm ranges
- Nautilus-style impeller for hydrodynamic efficiency
- Features a powdercoat finish



FITS MODEL	BLACK PART #	MAGNESIUM PART #
KAWASAKI	0934-7808	0934-7809
KX450/450X 24	0934-7808	0934-7809



2312-1173



2312-1179



2312-1201



2312-1208



2312-1182



2312-1189



2312-1194



2312-1172

WINDSCREENS

- Protects your helmet from wind and turbulence on long journeys
- Carefully designed to fit perfectly with the lines of your bike
- Made from high-quality PMMA acrylic
- Available in a variety of styles
- Some models require additional support frames; sold separately

FITS MODEL	STYLE	HEIGHT X WIDTH (MM)	THICKNESS (MM)	TRANSPARENT	SMOKE	DARK SMOKE	MATTE BLACK
BENELLI							
TRK 702/X 23-24	Caponord	-	3	2312-1173 ²	2312-1174 ²	-	-
	Touring	-	3	2312-1175 ³	2312-1176 ³	2312-1177 ³	-
	Sport	-	3	2312-1178 ⁴	-	2312-1179 ⁴	2312-1180 ⁴
BMW							
F 900 GS 24	Caponord	410 x 350	3	2312-1198	2312-1199	-	-
	Touring	355 x 350	3	2312-1200	2312-1201	2312-1202	-
	Enduro	260 x 350	3	2312-1203	-	2312-1204	2312-1205
F 900R 18-24	Touring	295 x 320	3	2312-1206 ⁵	-	2312-1207 ⁵	2312-1208 ⁵
HONDA							
CRF1100L Africa Twin (except Adventure Sports) 24	Caponord	535 x 450	4	2312-1181	2312-1182	-	-
	Touring	470 x 400	4	2312-1183	2312-1184	2312-1185	-
	Sport	350 x 390	4	2312-1186	-	2312-1187	-
	Enduro	330 x 390	4	-	-	2312-1188	2312-1189
CRF1100L Africa Twin Adventure Sports 24	Sport	340 x 400	4	2312-1195	-	2312-1196	2312-1197
CRF1100L/Adventure Sports 15-19	Touring	560 x 380	4,5	2312-1190	2312-1191	-	-
	Standard	480 x 330	4,5	2312-1192	2312-1193	2312-1194	-
KAWASAKI							
ZX-25R 21-23, ZX-4R/RR 23-24	Race high	-	2	2312-1171 ¹	2312-1172 ¹	-	-

¹ 4 cm higher than original. ² 16 cm higher than original. ³ 8 cm higher than original. ⁴ 2 cm lower than original. ⁵ Requires original frame.

WRS



SIDE DEFLECTORS

- Decreases air pressure on the shoulder and arms for maximum comfort on long rides
- 4 mm thick
- Sold in pairs

COLOR	PART #	COLOR	PART #	COLOR	PART #	COLOR	PART #
Clear	2350-0586	Smoke	2350-0587	Dark smoke	2350-0588	Black	2350-0589
	2350-0591¹		2350-0592¹		2350-0593¹		2350-0594¹

¹ Includes mounting kit.

HANDGUARDS FOR BMW R 1300 GS 23-24

- Made from high quality impact-resistant material
- Designed to offer reliable protection without compromising style
- Ergonomic design adapts perfectly to motorcycle grips to offer complete coverage of your hands
- No modifications to bike needed
- Includes mounting kits



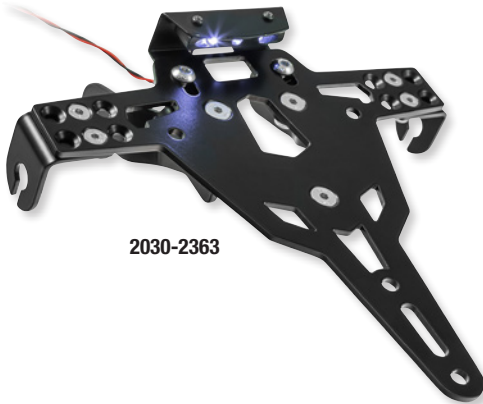
DESCRIPTION	PART #	DESCRIPTION	PART #
Clear	0635-2494	Smoke	0635-2495

HEADLIGHT PROTECTION LENS FOR BMW R 1300 GS 23-24

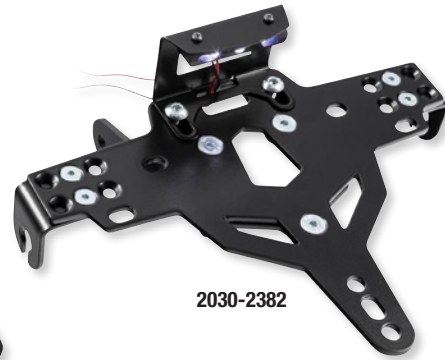
- Adds anti-impact protection while complementing the lines of the bike
- No modifications required; easy to install and remove
- Includes mounting hardware and bracket kit



DESCRIPTION	PART #	DESCRIPTION	PART #
Clear	2001-2778	Yellow	2001-2779



2030-2363



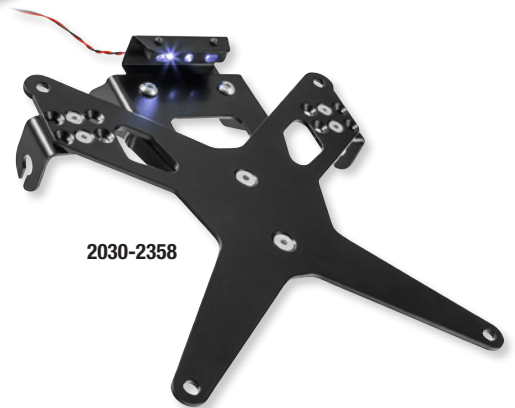
2030-2382



2030-2383



2030-2370



2030-2358



LICENSE PLATE HOLDERS

- Black powdercoated metal construction
- No bike body modifications required
- The angle of inclination is fully adjustable
- No registration required with ABE free
- The screw heads are also countersunk to ensure that the license plate is flat
- ECE approved

FITS MODEL	TYPE A	TYPE B	TYPE C	TYPE D	TYPE E
DUCATI					
Multistrada V4S 21-24	2030-2363	2030-2378	2030-2379	2030-2362	2030-2361
Street Triple 765 R 23	2030-2366	2030-2381	2030-2380	2030-2364	2030-2365
Speed Triple 1200RR 21-24	2030-2369	2030-2382	2030-2383	2030-2368	2030-2367
Street Triple 1200 RS 21-23	2030-2369	2030-2382	2030-2383	2030-2368	2030-2367
Tiger Sport 660 22-23	2030-2372	-	-	2030-2370	2030-2371
KAWASAKI					
ZX-4R/RR 400 23-24	2030-2359	2030-2360	2030-2377	2030-2357	2030-2358
KTM					
390 Adventure 19-24	2030-2376	2030-2375	-	2030-2373	2030-2374
390 Duke 24-25	2030-2388	2030-2387	2030-2386	2030-2384	2030-2385

LICENSE PLATE HOLDER TYPES WILL FIT LICENSE PLATES FROM THE FOLLOWING COUNTRIES

TYPE A	TYPE B	TYPE C	TYPE D	TYPE E
GERMANY	AUSTRIA	SWITZERLAND	FRANCE	ITALY
SLOVENIA	CZECH REPUBLIC	POLAND		
CROATIA	NETHERLANDS	IRELAND		
UK	BELGIUM			
	GREECE			
	SPAIN			

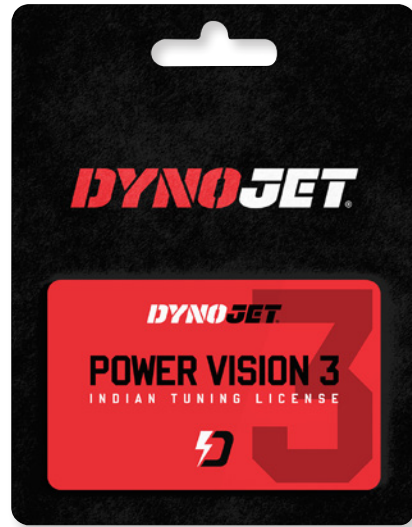


POWER VISION TOKEN

- With this token for your Dynojet Power Vision, you can tune an additional vehicle on the same device
- This is perfect for dealers, as well as enthusiasts and families who have multiple vehicles to maintain
- Works with all Power Vision, Power Vision 3 and Power Vision 4
- Can be used on one vehicle an unlimited number of times, but not on multiple vehicles

DESCRIPTION	PART #
Single token	1020-4230

1020-4230



DESCRIPTION	PART #
10 pk.	1020-4231



MAP 1-2 SWITCH

- Lets you choose between two different engine mappings
- Works with GET CDI and RX1 Pro control units

DESCRIPTION	PART #
Map 1-2 switch	0616-0437



STANDARD FILTERS

- Twin Air dual-stage filters are the choice of top factory teams and riders worldwide
- Dual-bonded foam design filters out even the smallest dirt particles, while allowing more airflow than two separate layer filters (flow bench proven)
- Flat foam sealing ring provides a secure seat against the airbox, even in the worst riding conditions
- Twin Air filters are slightly smaller than stock, making them easier to change while increasing dead air space around the filter for better performance

FITS MODEL	PART #
SHERCO	
Trial 125-300 10-11	1011-4952

1011-4952



FITS MODEL	PART #
SHERCO (CONT)	
Trial 125-300 12-15	1011-4953



FLEECE WIRE HARNESS TAPE

- Cloth wiring tape
- Useful for noise dampening in wiring looms
- Highly abrasion resistant
- 25,4 mm (1") wide x 25 m (82') long roll
- Sold each

DESCRIPTION	PART #
Fleece wire harness tape	2130-0374



ICON



ECE R22.06



Includes clear & RST blue
Icon Optics™ Shields
Includes dark smoke DropShield™



Glow in the dark

AIRFORM™ MIPS®

- MIPS® Brain Protection System can reduce harmful forces transmitted to the brain in certain types of impacts by allowing a slight uncoupled movement of the shell and liner during a crash
- Injection-molded polycarbonate shell for strength and durability
- Intermediate-oval headform
- Clear fog-free Optics™ shield installed and dark smoke fog-free Optics™ shield included
- Dark smoke internal DropShield™
- Prolock™ shield locking system
- Moisture-Wicking Hydradry™ removable comfort liner
- Dark smoke spoiler kit

- Gloss/matte painted finish with 3D graphics
- See helmet size guide on page 17 before ordering
- Meets DOT FMVSS 218 (US), ECE R22.06 (Europe), & PSC (Japan) helmet safety standards

NOTE: Does not ship with PSC certification stickers unless purchased from an authorized dealer in that country.

NOTE: The DropShield™ visor must only be used while the main face shield is in the fully closed position.

NINE LIVES™

SIZE	BLUE	SIZE	BLUE	SIZE	BLUE	SIZE	BLUE
XS	0101-17383	M	0101-17385	XL	0101-17387	3X	0101-17389
S	0101-17384	L	0101-17386	2X	0101-17388		

AIRFORM™ MIPS® continued on next page



ECE R22.06

AIRFORM™ MIPS® (CONT)



Includes clear & dark smoke
Icon Optics™ Shields
Includes dark smoke DropShield™



Glow in the dark

DEAD SERIOUS™

SIZE	BLACK	SIZE	BLACK	SIZE	BLACK	SIZE	BLACK
XS	0101-17438	M	0101-17440	XL	0101-17442	3X	0101-17444
S	0101-17439	L	0101-17441	2X	0101-17443		

ICON® HELMET SIZE CHART

SIZE	HAT SIZE	INCHES	CENTIMETERS	SIZE	HAT SIZE	INCHES	CENTIMETERS
XXS	6 ³ / ₈ - 6 ¹ / ₂	20 ¹ / ₈ - 20 ¹ / ₂	51 - 52	L	7 ³ / ₈ - 7 ¹ / ₂	23 ¹ / ₈ - 23 ¹ / ₂	59 - 60
XS	6 ⁵ / ₈ - 6 ³ / ₄	20 ⁷ / ₈ - 21 ¹ / ₄	53 - 54	XL	7 ⁵ / ₈ - 7 ³ / ₄	24 - 24 ³ / ₈	61 - 62
S	6 ⁷ / ₈ - 7	21 ⁵ / ₈ - 22	55 - 56	2X	7 ⁷ / ₈ - 8	24 ³ / ₄ - 25 ¹ / ₈	63 - 64
M	7 ¹ / ₈ - 7 ¹ / ₄	22 ³ / ₈ - 22 ³ / ₄	57 - 58	3X	8 ¹ / ₈ - 8 ¹ / ₄	25 ¹ / ₂ - 26	65 - 66