



1810-3131



1810-3152



## RACING LINE COMPLETE EXHAUST SYSTEMS

- A complete high-quality stainless steel exhaust system made with close attention to detail
- Unique design enables it to obtain the maximum output for each specific model of motorcycle while significantly reducing overall weight for top performance in everyday riding or even in the most challenging races
- Headpipes/collector/link pipe are made of stainless steel
- Muffler sleeves constructed from titanium or carbon fiber
- End caps constructed from titanium or carbon fiber

FITS MODEL	DESCRIPTION	APPROVALS	PART #
<b>SUZUKI</b>			
GSX-8S 22-23	2-into-1 header w/ carbon muffler and titanium end cap (no remapping needed; compatible w/ original Suzuki soft side cases set)	-	<b>1810-3131</b>
<b>YAMAHA</b>			
MT-09/FZ-09 21-23	3-into-1 header w/ titanium muffler and carbon end cap (catalytic converter included within the system; compatible w/ side cases and central stand)	EC/ECE Type Approval	<b>1810-3152</b>



1811-4488



1811-4485



### SLIP-ON SERIES MUFFLERS

- Slip-on mufflers represent the first step in the exhaust system tuning process
- Easy to install and offers a great balance between price and performance
- More power, more torque, less weight and the unique Akrapovic sound
- Muffler sleeves constructed from titanium or carbon fiber
- End caps constructed from titanium or carbon fiber

FITS MODEL	DESCRIPTION	APPROVALS	PART #
<b>HONDA</b>			
CB750 Hornet 23	Single carbon muffler/titanium end cap (no remapping needed; compatible w/ Honda original soft panniers)	EC/ECE Type Approval	<b>1811-4488</b>
<b>SUZUKI</b>			
V-Strom 800DE 22-23	Single titanium muffler/carbon end cap (compatible w/ original Suzuki cases)	EC/ECE Type Approval	<b>1811-4485</b>

### REPLACEMENT PARTS

- Replace lost or damaged exhaust parts
- Listed by Akrapovic replacement #
- Sold each

AKRAPOVIC #	PART #	AKRAPOVIC #	PART #	AKRAPOVIC #	PART #
REPL. BOLT		GRAPHITE GASKET		GRAPHITE GASKET (CONT)	
P-FB105	<b>1860-2419</b>	P-G13	<b>1860-2421</b>	P-G71	<b>1860-2420</b>



1860-2419

1860-2420

# LeoVince



1810-3153



1810-3154



1810-3155



See chart  
for details

## LV ONE EVO EXHAUST SYSTEMS

### FOR KAWASAKI NINJA 650/Z650/KLE650 VERSYS 21-23

- The latest EVOLUTION of the popular LV ONE: Aggressive Sound and Style
- Clean, laser-etched Leo Vince logo in an innovative carved design (for the carbon-fiber exhaust: bright aluminum die-cut high-temp resistant Leo Vince adhesive logo)
- Asymmetric design and high-temp resistant full-carbon fiber end cap
- Impact-resistant sandblasted oval AISI 304 stainless steel sleeve – titanium look

- TIG-welded stainless steel front cup
- Adjustable full-carbon fastening strap
- Removable dB Killer, weight savings and flawless installation

HEADER/MUFFLER/END CAP	APPROVALS	PART #
Stainless/stainless/carbon	ECE type approval	<b>1810-3153</b>
Stainless/black stainless/carbon	ECE type approval	<b>1810-3154</b>
Stainless/carbon/carbon	ECE type approval	<b>1810-3155</b>



1810-3156



1810-3157



**LV RACE EXHAUST**

- Stainless steel construction
- Aluminum plate with embossed LV logo included
- TIG welded
- Made from AISI 304 stainless steel
- Laser-cut bracket

FITS MODEL	TAILPIPE/MUFFLER/END CAP	DESCRIPTION	PART #
<b>HONDA</b>			
CB750 Hornet 23	Stainless/stainless/NA	ECE type approval	<b>1810-3156</b>

FITS MODEL	TAILPIPE/MUFFLER/END CAP	DESCRIPTION	PART #
<b>SUZUKI</b>			
GSX-8S 23	Stainless/stainless/NA	ECE type approval	<b>1810-3157</b>



**X3 EVO SLIP-ON MUFFLER**

- With X3 EVO LeoVince has combined all its experience in the off-road world with cutting-edge materials and Italian design, enhancing freedom in its purest form
- Allows you to face the most extreme environments and conditions because it does not fear water or mud, nor wear over time
- Includes a USFS-approved spark arrester

FITS MODEL	PART #
<b>GASGAS</b>	
EC250F/350F 21-22	<b>1821-2085</b>
<b>HUSQVARNA</b>	
FE250/350/450 20-23	<b>1821-2085</b>
<b>KTM</b>	
EXC-F 250/3500/450/500 20-23	<b>1821-2085</b>



**T-SHIRT**

- 100% cotton short-sleeve tee
- LV Racing logo on front; Leo Vince logo on back

SIZE	BLACK	SIZE	BLACK
S	<b>3030-21597</b>	XL	<b>3030-21600</b>
M	<b>3030-21598</b>	2X	<b>3030-21601</b>
L	<b>3030-21599</b>		

**VANCE  
HINES****HI-OUTPUT SLIP-ON MUFFLER  
FOR HONDA REBEL 1100T DCT 23**

- 4 1/2" Stepped muffler
- CNC-machined billet aluminum end cap
- Matte black ceramic finish
- Laser engraved riveted logo badge
- Integrated mid-pipe heat shield
- Meets SAE J2825 sound standard

**DESCRIPTION**

High-output slip-on muffler

**PART #****1811-4434****NARAKU**  
PARTS AND ACCESSORIES**CYLINDER KITS**

- Complete cylinder kit with all seals and small parts necessary for assembly



0931-1127

FITS MODEL	DESCRIPTION	PART #
<b>ADLY (HERCULES)</b>		
ATV 50 RX XXL Supersonic	50 cc	<b>0931-1125</b>
ATV 50 V	50 cc	<b>0931-1125</b>
ATV 50 XXL Supercross	50 cc	<b>0931-1125</b>
AirTec 50 AC	50 cc	<b>0931-1125</b>
Blizzard GTA 50	50 cc	<b>0931-1125</b>
Cat 50	50 cc	<b>0931-1125</b>
Jet 50	50 cc	<b>0931-1125</b>
Matador 50	50 cc	<b>0931-1125</b>
Noble 50	50 cc	<b>0931-1125</b>
PR 5 S 50	50 cc	<b>0931-1125</b>
Panther 50	50 cc	<b>0931-1125</b>
Silverfox 50 03-11	50 cc	<b>0931-1125</b>
Thunder Bike 50	50 cc	<b>0931-1125</b>
Vanguard 50	50 cc	<b>0931-1125</b>
<b>AEON</b>		
Cobra 50	50 cc	<b>0931-1125</b>
Minikolt 50	50 cc	<b>0931-1125</b>
Revo 50	50 cc	<b>0931-1125</b>
Revo II 50	50 cc	<b>0931-1125</b>
<b>APRILIA</b>		
AF1 Futura 50	70 cc	<b>0931-1127</b>
Classic 50	70 cc	<b>0931-1127</b>
Europa 50 2T 91-92	70 cc	<b>0931-1127</b>

FITS MODEL	DESCRIPTION	PART #
<b>APRILIA (CONT)</b>		
Gulliver 50 AC 95-98	50 cc	<b>0931-1125</b>
MX 50 95-02 & 04-05	70 cc	<b>0931-1127</b>
Pegaso 50 2T 92-94	70 cc	<b>0931-1127</b>
Rally 50 AC 95-04	50 cc	<b>0931-1125</b>
Red Rose 50 87-91	70 cc	<b>0931-1127</b>
RS 50 93-05	70 cc	<b>0931-1127</b>
RS Tuono 50	70 cc	<b>0931-1127</b>
RX 50 95-05	70 cc	<b>0931-1127</b>
RX 50 Racing 03-	70 cc	<b>0931-1127</b>
RX3 50 2T 91-94	70 cc	<b>0931-1127</b>
SR 50 AC 94-01	50 cc	<b>0931-1125</b>
Scarabeo 50 2T 93-06	50 cc	<b>0931-1125</b>
Sonic 50 AC 98-07	50 cc	<b>0931-1125</b>
<b>BAOTIAN / BMT</b>		
BT49QT-18C1 B010	50 cc	<b>0931-1125</b>
BT49QT-18E1 Rocky	50 cc	<b>0931-1125</b>
BT49QT-18F1 Tanco	50 cc	<b>0931-1125</b>
BT49QT-20C	50 cc	<b>0931-1125</b>
BT49QT-28A	50 cc	<b>0931-1125</b>
<b>BENELLI</b>		
491 GT 50 AC -03	50 cc	<b>0931-1125</b>
491 ST 50 -03	50 cc	<b>0931-1125</b>
K2 50 AC -03	50 cc	<b>0931-1125</b>

CYLINDER KITS continued on next page

**NARAKU** CYLINDER KITS (CONT)  
PARTS AND ACCESSORIES

FITS MODEL	DESCRIPTION	PART #
<b>BENELLI (CONT)</b>		
Naked 50 AC -03	50 cc	<b>0931-1125</b>
Pepe 50 -03	50 cc	<b>0931-1125</b>
<b>BENERO</b>		
GT 50 2T / Black Edition	50 cc	<b>0931-1125</b>
K2 50 2T	50 cc	<b>0931-1125</b>
Speedo 50 2T	50 cc	<b>0931-1125</b>
Speedy 50 2T	50 cc	<b>0931-1125</b>
<b>BETA</b>		
RR 50 Enduro 02-17	70 cc	<b>0931-1127</b>
RR 50 Enduro Factory 12-16	70 cc	<b>0931-1127</b>
RR 50 Enduro Racing 05-11 & 16-17	70 cc	<b>0931-1127</b>
RR 50 Enduro STD 05-14	70 cc	<b>0931-1127</b>
RR 50 Enduro Sport 15-17	70 cc	<b>0931-1127</b>
RR 50 Motard 05-17	70 cc	<b>0931-1127</b>
RR 50 Motard STD 05-14	70 cc	<b>0931-1127</b>
RR 50 Motard Sport 15-17	70 cc	<b>0931-1127</b>
RR 50 Motard Track 08-17	70 cc	<b>0931-1127</b>
RR 50 Supermotard Alu-frame 03-06	70 cc	<b>0931-1127</b>
RR 50 Supermotard Steel-frame -02	70 cc	<b>0931-1127</b>
<b>BETA / KTM</b>		
Ark 50 AC	50 cc	<b>0931-1125</b>
Chrono 50	50 cc	<b>0931-1125</b>
Quadra 50	50 cc	<b>0931-1125</b>
Tempo 50	50 cc	<b>0931-1125</b>
<b>CH RACING</b>		
WSM 50	70 cc	<b>0931-1127</b>
WXE 50	70 cc	<b>0931-1127</b>
<b>CPI</b>		
Bingo 50 / Tennessee 50 -03	50 cc	<b>0931-1125</b>
Hussar 50 -03	50 cc	<b>0931-1125</b>
Oliver 50 -03	50 cc	<b>0931-1125</b>
Popcorn 50 -03	50 cc	<b>0931-1125</b>
<b>DINLI</b>		
DL 601 50	50 cc	<b>0931-1125</b>
DL 603 50	50 cc	<b>0931-1125</b>
<b>EPPELA</b>		
TB 50 (Thunder Bike)	50 cc	<b>0931-1125</b>
<b>GT UNION</b>		
Force 50 2	50 cc	
Manhattan 50 2T	50 cc	<b>0931-1125</b>
Tempesta 50 2T	50 cc	<b>0931-1125</b>
Veloce 50 2T	50 cc	<b>0931-1125</b>
<b>FANTIC MOTOR</b>		
Enduro E 50 Casa -17	70 cc	<b>0931-1127</b>
Enduro E 50 Performance -17	70 cc	<b>0931-1127</b>
Enduro ER 50 Competition -17	70 cc	<b>0931-1127</b>
Enduro M 50 Casa -17	70 cc	<b>0931-1127</b>
Enduro M 50 Performance -17	70 cc	<b>0931-1127</b>
Enduro MR 50 Competition -17	70 cc	<b>0931-1127</b>
Regularita Casa 50	70 cc	<b>0931-1127</b>
<b>K-SPORT</b>		
Fifty 50 R Eco 13-17	70 cc	<b>0931-1127</b>
Fifty 50 R Pro 13-17	70 cc	<b>0931-1127</b>
Fifty 50 SM Eco 13-17	70 cc	<b>0931-1127</b>
Fifty 50 SM Pro 13-17	70 cc	<b>0931-1127</b>

FITS MODEL	DESCRIPTION	PART #
<b>KREIDLER</b>		
Flory 50 2T	50 cc	<b>0931-1125</b>
<b>HM MOTO</b>		
CRE Baja 50 -06	70 cc	<b>0931-1127</b>
CRE Baja 50 RR -06	70 cc	<b>0931-1127</b>
CRE Enduro 50 06-	70 cc	<b>0931-1127</b>
CRE SIX Racing 50	70 cc	<b>0931-1127</b>
CRE Supermoto 50	70 cc	<b>0931-1127</b>
Derapage 50	70 cc	<b>0931-1127</b>
Derapage 50 Comp.	70 cc	<b>0931-1127</b>
Derapage 50 RR	70 cc	<b>0931-1127</b>
<b>HRD</b>		
Sonic 50 Enduro	70 cc	<b>0931-1127</b>
Sonic 50 SM	70 cc	<b>0931-1127</b>
<b>LONGJIA</b>		
Zero One 50 2T	50 cc	<b>0931-1125</b>
<b>MBK</b>		
Evolis 50 93-	50 cc	<b>0931-1125</b>
Fizz 50 95-	50 cc	<b>0931-1125</b>
Flipper 50 99-	50 cc	<b>0931-1125</b>
Forte 50 95-	50 cc	<b>0931-1125</b>
Mach G 50 AC 02-	50 cc	<b>0931-1125</b>
Ovetto 50 2T 97-16	50 cc	<b>0931-1125</b>
Ovetto 50 One 2T 13-16	50 cc	<b>0931-1125</b>
<b>MZ / MUZ</b>		
Moskito FB50 Base 2T -02	50 cc	<b>0931-1125</b>
Moskito RX 50 2T -02	50 cc	<b>0931-1125</b>
Moskito SX 50 2T -02	50 cc	<b>0931-1125</b>
X-Limit 50 Enduro 03-12	70 cc	<b>0931-1127</b>
X-Limit 50 SM 03-12	70 cc	<b>0931-1127</b>
X-Power 50 00-15	70 cc	<b>0931-1127</b>
<b>MALAGUTI</b>		
Centro 50 2T	50 cc	<b>0931-1125</b>
Ciak 50	50 cc	<b>0931-1125</b>
F10 Cat 50 99-	50 cc	<b>0931-1125</b>
F10 Jet ine -99	50 cc	<b>0931-1125</b>
F10 Wap 50 04-	50 cc	<b>0931-1125</b>
F12 Pahtom 50 AC 94-07	50 cc	<b>0931-1125</b>
F15 Firefox 50 AC 04-	50 cc	<b>0931-1125</b>
NKD 50 Drakon 05	70 cc	<b>0931-1127</b>
XSM 50 03-10	70 cc	<b>0931-1127</b>
XTM 50 03-10	70 cc	<b>0931-1127</b>
Yesterday 50	50 cc	<b>0931-1125</b>
<b>MOTOHISPANIA</b>		
Furia 50 97-99	70 cc	<b>0931-1127</b>
Furia 50 Enduro 00-05	70 cc	<b>0931-1127</b>
Furia 50 Max SM 06-13	70 cc	<b>0931-1127</b>
Furia 50 SM 00-05	70 cc	<b>0931-1127</b>
MH 10 Enduro 12-13	70 cc	<b>0931-1127</b>
MH 10 SM 12-15	70 cc	<b>0931-1127</b>
RX 50 R 08-13	70 cc	<b>0931-1127</b>
RX 50 Racing 00-07	70 cc	<b>0931-1127</b>
RYZ 50 Enduro 04-12	70 cc	<b>0931-1127</b>
RYZ 50 Enduro Pro Racing 05-13	70 cc	<b>0931-1127</b>
RYZ 50 SM 04-12	70 cc	<b>0931-1127</b>
RYZ 50 SM Pro Racing 05-13	70 cc	<b>0931-1127</b>
RYZ 50 SM Pro Urban Bike 05-12	70 cc	<b>0931-1127</b>

CYLINDER KITS continued on next page

**NARAKU** CYLINDER KITS (CONT)  
PARTS AND ACCESSORIES

FITS MODEL	DESCRIPTION	PART #
<b>MOTOHISPANIA (CONT)</b>		
RYZ 50 SM Urban Bike 05-12	70 cc	<b>0931-1127</b>
YR11 50 Enduro 11-14	70 cc	<b>0931-1127</b>
YR11 50 SM 11-14	70 cc	<b>0931-1127</b>
<b>MOTORWELL</b>		
Crogen City / Crogen Sport	50 cc	<b>0931-1125</b>
Magnet 2T / Magnet Sport	50 cc	<b>0931-1125</b>
<b>MOTORWORX</b>		
Forza 50 2T	50 cc	<b>0931-1125</b>
<b>NOVA MOTORS</b>		
Energy 50 2T	50 cc	<b>0931-1125</b>
F35 50 2T	50 cc	<b>0931-1125</b>
GT 50 2T / GT extreme 2T	50 cc	<b>0931-1125</b>
Grido 50 2T	50 cc	<b>0931-1125</b>
Nova Sport 50 2T	50 cc	<b>0931-1125</b>
<b>PEUGEOT</b>		
XP6 50	70 cc	<b>0931-1127</b>
XPS 50 Enduro 05-12	70 cc	<b>0931-1127</b>
XPS 50 R 13-	70 cc	<b>0931-1127</b>
XPS 50 SM 05-13	70 cc	<b>0931-1127</b>
XPS 50 Street 05-10	70 cc	<b>0931-1127</b>
XR6 50 04-07	70 cc	<b>0931-1127</b>
<b>PGO</b>		
Big Max 50 2T AC	50 cc	<b>0931-1125</b>
G-Max 50 2T AC	50 cc	<b>0931-1125</b>
Hot 50 2T AC	50 cc	<b>0931-1125</b>
PMX 50 2T AC	50 cc	<b>0931-1125</b>
T-Rex 50 2T AC	50 cc	<b>0931-1125</b>
Tornado 50 2T AC	50 cc	<b>0931-1125</b>
<b>PULSE</b>		
BT49QT-20CA Force	50 cc	<b>0931-1125</b>
<b>QINGQI</b>		
Scooter 50 (MK50) 2T	50 cc	<b>0931-1125</b>
<b>RIEJU</b>		
Drac 50 -97	70 cc	<b>0931-1127</b>
MRT 50 Cross 08-10	70 cc	<b>0931-1127</b>
MRT 50 Cross Europa I 10-12	70 cc	<b>0931-1127</b>
MRT 50 Cross Europa II 13-14	70 cc	<b>0931-1127</b>
MRT 50 Cross Europa III 15-17	70 cc	<b>0931-1127</b>
MRT 50 Cross Freejump 15-20	70 cc	<b>0931-1127</b>
MRT 50 Cross Lite 13-	70 cc	<b>0931-1127</b>
MRT 50 Cross Racing 11-16	70 cc	<b>0931-1127</b>
MRT 50 Pro Cross 08-20	70 cc	<b>0931-1127</b>
MRT 50 Pro Freejump Cross 14-17	70 cc	<b>0931-1127</b>
MRT 50 Pro Freejump SM 14-17	70 cc	<b>0931-1127</b>
MRT 50 Pro SM 08-20	70 cc	<b>0931-1127</b>
MRT 50 Replica Cross 18-20	70 cc	<b>0931-1127</b>
MRT 50 Replica SM 18-20	70 cc	<b>0931-1127</b>
MRT 50 SM 08-10	70 cc	<b>0931-1127</b>
MRT 50 SM Europa I 10-12	70 cc	<b>0931-1127</b>
MRT 50 SM Europa II 13-14	70 cc	<b>0931-1127</b>
MRT 50 SM Europa III 15-17	70 cc	<b>0931-1127</b>
MRT 50 SM Europa IV 18-20	70 cc	<b>0931-1127</b>
MRT 50 SM Freejump 15-20	70 cc	<b>0931-1127</b>
MRT 50 SM Lite 11-13	70 cc	<b>0931-1127</b>
MRT 50 SM Racing 11-17	70 cc	<b>0931-1127</b>
MRX 50 00-08	70 cc	<b>0931-1127</b>
MRX 50 Freestyle 06	70 cc	<b>0931-1127</b>

FITS MODEL	DESCRIPTION	PART #
<b>RIEJU (CONT)</b>		
MRX 50 Pro 02-06	70 cc	<b>0931-1127</b>
RR 50 96-04	70 cc	<b>0931-1127</b>
RR 50 Sport 05	70 cc	<b>0931-1127</b>
RRX 50 06-09	70 cc	<b>0931-1127</b>
RS1 50 95-98	70 cc	<b>0931-1127</b>
RS1 50 Evolution 99-01	70 cc	<b>0931-1127</b>
RS2 50 Matrix 02-08	70 cc	<b>0931-1127</b>
RS2 50 Matrix Pro 05-08	70 cc	<b>0931-1127</b>
RS2 50 Naked 04-08	70 cc	<b>0931-1127</b>
RS3 50 10-20	70 cc	<b>0931-1127</b>
RS3 50 Liqui Moly SE 18-20	70 cc	<b>0931-1127</b>
RS3 50 Naked 18-20	70 cc	<b>0931-1127</b>
SMX 50 01-05	70 cc	<b>0931-1127</b>
SMX 50 Pro 05	70 cc	<b>0931-1127</b>
SMX 50 Pro Freestyle 07	70 cc	<b>0931-1127</b>
SMX 50 Pro Street 06-	70 cc	<b>0931-1127</b>
Spike 50 98-02 & 05	70 cc	<b>0931-1127</b>
Spike 50 Sport 03-04	70 cc	<b>0931-1127</b>
Spike 50 X 06-11	70 cc	<b>0931-1127</b>
Tango 50 with alu rims 10-	70 cc	<b>0931-1127</b>
Tango 50 with spoke rims 08-	70 cc	<b>0931-1127</b>
<b>RS ULTIMA</b>		
Avenger 50 2T	50 cc	<b>0931-1125</b>
Fahnder 50 2T	50 cc	<b>0931-1125</b>
Matador 50 2T	50 cc	<b>0931-1125</b>
Roadrunner 50 2T	50 cc	<b>0931-1125</b>
Super Sonic 50 2T	50 cc	<b>0931-1125</b>
Virtuality 50 2T	50 cc	<b>0931-1125</b>
Zero One 50 2T	50 cc	<b>0931-1125</b>
<b>SACOM</b>		
Zero One 50 2T	50 cc	<b>0931-1125</b>
<b>SEIRAN</b>		
Zero One 50 2T	50 cc	<b>0931-1125</b>
<b>SHERCO</b>		
SE-R 50 Enduro 14-17	70 cc	
SM-R 50 Supermoto 14-17	70 cc	<b>0931-1127</b>
<b>TEC RUNNER</b>		
Dano 50 2T	50 cc	<b>0931-1125</b>
Dayton 50 2T	50 cc	<b>0931-1125</b>
Pearl 50 2T	50 cc	<b>0931-1125</b>
Trackmaster 50 2T	50 cc	<b>0931-1125</b>
<b>YAMAHA</b>		
Axis 50 2T AC 96-98	50 cc	<b>0931-1125</b>
Breeze 50 2T AC 95-98	50 cc	<b>0931-1125</b>
DT 50 R 97-02	70 cc	<b>0931-1127</b>
DT 50 R Enduro 03-06	70 cc	<b>0931-1127</b>
DT 50 R SM 03-06	70 cc	<b>0931-1127</b>
DT 50 R/X Enduro 07-	70 cc	<b>0931-1127</b>
DT 50 R/X SM 07-		
Jog 50 2T AC 92-01	50 cc	<b>0931-1125</b>
Jog 50 R AC 03-17	50 cc	<b>0931-1125</b>
Neos 50 2T 97-18	50 cc	<b>0931-1125</b>
Neos 50 2T Easy 13-17	50 cc	<b>0931-1125</b>
TZR 50 R 90-16	70 cc	<b>0931-1127</b>
Why 50 99-13	50 cc	<b>0931-1125</b>
Zest 50 93-99	50 cc	<b>0931-1125</b>

**NARAKU**  
 PARTS AND ACCESSORIES


## PISTON SETS

- High-quality replacement piston set features a molybdenum coating to reduce wear and shorten the running-in time
- CNC-turned grooves in the piston skirt ensure permanent lubrication
- Complete piston set includes piston rings, oil wipers, piston pins and piston retaining clips

FITS MODEL	DESCRIPTION	PART #
<b>APRILIA</b>		
Mojito / Habana Custom 50 04-10	70 cc	<b>0911-0087</b>
SR 50 LC 03-23	70 cc	<b>0911-0087</b>
SR Motard 50 2T 12-14	70 cc	<b>0911-0087</b>
SR Motard 50 2T 18-23	70 cc	<b>0911-0087</b>
Scarabeo 50 2T 05-23	70 cc	<b>0911-0087</b>
Scarabeo 50 2T Classic 18-23	70 cc	<b>0911-0087</b>
Scarabeo 50 2T NET 09-23	70 cc	<b>0911-0087</b>
Scarabeo 50 2T Street 18-23	70 cc	<b>0911-0087</b>
Sport City One 50 2T 08-11	70 cc	
<b>DERBI</b>		
Atlantis 50 2T AC 99-09	70 cc	<b>0911-0087</b>
Atlantis 50 2T AC Bullet 03-10	70 cc	<b>0911-0087</b>
Atlantis 50 2T AC City 03-06	70 cc	<b>0911-0087</b>
Atlantis 50 2T AC Two Chick 05-07	70 cc	<b>0911-0087</b>
Boulevard 50 2T 09-14	70 cc	<b>0911-0087</b>
GP 50 Series 02 01-	70 cc	<b>0911-0087</b>
GP1 50 2T 02-06	70 cc	<b>0911-0087</b>
GP1 50 2T Open 06-09	70 cc	<b>0911-0087</b>
GP1 50 2T Race 05-07	70 cc	<b>0911-0087</b>
Sonar 50 2T AC 09-	70 cc	<b>0911-0087</b>
Variant 50 2T AC Sport 12-	70 cc	<b>0911-0087</b>
<b>GILERA</b>		
DNA 50 2T	70 cc	<b>0911-0087</b>
DNA 50 GP 2T Experience	70 cc	<b>0911-0087</b>
Easy Moving 50 2T AC	70 cc	<b>0911-0087</b>
Ice 50 2T AC	70 cc	<b>0911-0087</b>
Runner 50 98-03	70 cc	<b>0911-0087</b>
Runner 50 SP 99-17	70 cc	<b>0911-0087</b>
Runner 50 SP Race 03-06	70 cc	<b>0911-0087</b>
Runner 50 SP SC 05-06	70 cc	<b>0911-0087</b>
Stalker 50 DD 97-05	70 cc	<b>0911-0087</b>
Stalker 50 DT 97-05	70 cc	<b>0911-0087</b>
Stalker 50 05-11	70 cc	<b>0911-0087</b>
Stalker 50 Naked 08-	70 cc	<b>0911-0087</b>
Stalker 50 Special Edition 07-08	70 cc	<b>0911-0087</b>
Storm 50 07-09	70 cc	<b>0911-0087</b>
<b>ITALJET</b>		
Jet-Set 50 2T 03	70 cc	<b>0911-0087</b>
Torpedo 50 2T 97-03	70 cc	<b>0911-0087</b>
<b>PIAGGIO</b>		
Diesis 50 2T AC DT 01-	70 cc	<b>0911-0087</b>

FITS MODEL	DESCRIPTION	PART #
<b>PIAGGIO (CONT)</b>		
Diesis 50 2T AC	70 cc	<b>0911-0087</b>
Fly 50 2T 04-17	70 cc	<b>0911-0087</b>
Free 50 2T FL 95-02	70 cc	<b>0911-0087</b>
Liberty 50 2T 97-13	70 cc	<b>0911-0087</b>
Liberty 50 2T RST	70 cc	<b>0911-0087</b>
Liberty 50 2T Sport 06-08	70 cc	<b>0911-0087</b>
NRG 50 Extreme AC DT 99-04	70 cc	<b>0911-0087</b>
NRG 50 Extreme LC DD 99-02	70 cc	<b>0911-0087</b>
NRG 50 LC DT 95-96	70 cc	<b>0911-0087</b>
NRG 50 MC2 LC DD 98-99	70 cc	<b>0911-0087</b>
NRG 50 MC2 LC DT 96-98	70 cc	<b>0911-0087</b>
NRG 50 MC3 AC DT 01-04	70 cc	<b>0911-0087</b>
NRG 50 MC3 LC DD 03-04	70 cc	<b>0911-0087</b>
NRG 50 Power AC DT 04-15	70 cc	<b>0911-0087</b>
NRG 50 Power LC DD 04-20	70 cc	<b>0911-0087</b>
NTT 50 LC 95-98	70 cc	<b>0911-0087</b>
Quartz 50 LC DT 92-96	70 cc	<b>0911-0087</b>
Sfera 50 TT 91-94	70 cc	<b>0911-0087</b>
Sfera 50 RST 95-97	70 cc	<b>0911-0087</b>
Storm 50 AC DT 94-96	70 cc	<b>0911-0087</b>
TPH 50 2T Typhoon 93-99	70 cc	<b>0911-0087</b>
TPH 50 2T Typhoon 04-20	70 cc	<b>0911-0087</b>
TPH 50 2T X Typhoon 99-00	70 cc	<b>0911-0087</b>
TPH 50 2T XRTyphoon 00-10	70 cc	<b>0911-0087</b>
Zip 50 2T 92-96	70 cc	<b>0911-0087</b>
Zip 50 2T 00-15	70 cc	<b>0911-0087</b>
Zip 50 2T Fast Rider 93-95	70 cc	<b>0911-0087</b>
Zip 50 2T Fast Rider RST 96-98	70 cc	<b>0911-0087</b>
Zip 50 2T RST 96-99	70 cc	<b>0911-0087</b>
Zip 50 2T SP LC 96-99	70 cc	<b>0911-0087</b>
Zip 50 2T SP 2 LC 00-13	70 cc	<b>0911-0087</b>
<b>VESPA</b>		
ET2 50 97-05	70 cc	<b>0911-0087</b>
LX 50 2T 04-13	70 cc	<b>0911-0087</b>
LX 50 Touring 2T 10-13	70 cc	<b>0911-0087</b>
LXV 50 2T 06-09	70 cc	<b>0911-0087</b>
Primavera 50 2T 13-17	70 cc	<b>0911-0087</b>
S 50 2T 07-14	70 cc	<b>0911-0087</b>
S 50 2T College 07-12	70 cc	<b>0911-0087</b>
Sprint 50 2T 14-17	70 cc	<b>0911-0087</b>





## AIR FILTERS

- Meets or exceeds OEM-quality standards
- Built with the highest-quality paper, rubber and metal

FITS MODEL	PART #
<b>HONDA</b>	
CBR600RR/RA 07-18	<b>1011-4641</b>
CBR650F/CB650F 14-18	<b>1011-4624</b>
VT750C/CA/CF Shadow/Aero 04-18	<b>1011-4642</b>
VT750C2 Shadow Spirit 04-15	<b>1011-4642</b>
VT750C2B Shadow Phantom 10-18	<b>1011-4642</b>
VT750CS Shadow 10-18	<b>1011-4642</b>
VT750RS Shadow 10-13	<b>1011-4642</b>
CRF1000L Africa Twin 16-19 (two required)	<b>1011-4625</b>



1011-4641

FITS MODEL	PART #
<b>KAWASAKI</b>	
EX300 Ninja 13-17, Z300 (ER300) 14-16	<b>1011-4643</b>
EN650 Vulcan/KLE650 15-21, EX650/ER650 17-21	<b>1011-4627</b>
<b>SUZUKI</b>	
SFV650 Gladius 09-15, SV650 15-17	<b>1011-4644</b>
GSX-R1000 09-16, GSX-S1000 15-18	<b>1011-4645</b>
<b>YAMAHA</b>	
YZF-R6 08-18, YZF-R6S 10	<b>1011-4646</b>
YZF-R1 09-14	<b>1011-4626</b>



## AIR CLEANER KITS FOR KAWASAKI VN900 06-19

- Flows better than stock or competing units, in large part because of its unique internal venturi design of the inner filter
- Optimizes overall performance
- High-flow K&N® Air Filter element ensures the maximum air intake and protection
- Slim profile keeps the unit away from the rider's leg
- The Cobra system consists of a laser-cut, formed steel cover, separate mounting ring, and all the fasteners, seals, backing plate and mounting hardware for easy installation
- Formed stainless steel mesh insert



PART #	DESCRIPTION
<b>1010-3107</b>	Black Cross air cleaner kit



## VFORCE4 REED VALVES AND REPLACEMENT REEDS

- Advanced reed petal resin system, carbon fiber and lay-up
- Pre-curved reed petal ensures better seal at the tip
- Wider reed cage for maximum airflow
- Combined reed tip area is increased by 10,5% for better airflow
- Airfoil shape added to cage tip to increase velocity from the outer ports
- Long reed stops added to progressively slow reed petal tip velocity for increased petal durability
- Reduced frontal area of the central wing combined with a more aerodynamic shape

**NOTE: When ordering replacement reeds, order one set per reed cage.**

FITS MODEL	REED VALVE PART #	FITS MODEL	REED VALVE PART #	FITS MODEL	REED VALVE PART #
<b>GASGAS</b>		<b>HONDA (CONT)</b>		<b>KAWASAKI (CONT)</b>	
MC125 21-22	<b>1008-0354</b>	CR85RB 03-07	<b>1008-0353</b>	KDX220 97-05	<b>1008-0352</b>
MC250 22	<b>1008-0354</b>	<b>HUSQVARNA</b>		KX125 01-02	<b>1008-0352</b>
<b>HONDA</b>		TC125 21-22	<b>1008-0354</b>	<b>KTM</b>	
CR60R 83-02	<b>1008-0353</b>	TC250 22	<b>1008-0354</b>	125/150 SX 21-22	<b>1008-0354</b>
CR80RB 96-02	<b>1008-0353</b>	<b>KAWASAKI</b>		125 XC 21-22	<b>1008-0354</b>
CR85R 03-07	<b>1008-0353</b>	KDX200 83-06	<b>1008-0352</b>	250 SX 21-22	<b>1008-0354<sup>1</sup></b>



1008-0354

<sup>1</sup> Requires 2004 250SX intake boot for application.



## LITHIUM-ION FRIENDLY CHARGING KITS

- Rick's Motorsport original design
- Includes both a stator and a lithium-ion friendly rectifier-regulator
- Will put out approximately 150 watts and power a 55-watt headlight if the bike's rotor has not been compromised
- Supplies constant power to the bike's battery

**NOTE:** This kit is not for use with standard lead acid batteries. The voltage point is set to 14V +/- 2. Please contact the manufacturer of your lithium-ion battery to ensure the product has the correct set point.



2112-1735

FITS MODEL	PART #
<b>HUSQVARNA</b>	
TE 150 17-18	<b>2112-1734</b>
TC 250 14	<b>2112-1734</b>
TE 250/300 14-16	<b>2112-1734</b>
<b>KTM</b>	
XC 125 21	<b>2112-1734</b>
XC-W 125 17	<b>2112-1735</b>
SX 144 07-08	<b>2112-1734</b>

FITS MODEL	PART #
<b>KTM (CONT)</b>	
XC-W 150 17-19	<b>2112-1735</b>
XC 200 14	<b>2112-1734</b>
XC-W 200 13-16	<b>2112-1735</b>
XC 250/300 08-16	<b>2112-1734</b>
XC-W 250/300 08-11	<b>2112-1734</b>
XC-W 250/300 12-16	<b>2112-1735</b>

## STATOR

### FOR KTM 50 SX (ALL) 02-23

- OEM-style stator
- Direct plug-in stator complete with all rubbers and OEM-style plug end

#### DESCRIPTION

Stator

#### PART #

**2112-1736**

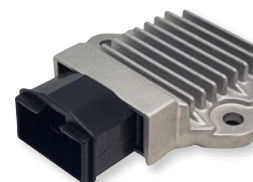
## RECTIFIER/REGULATORS

- OEM-style rectifier/regulators
- Select models have a high-performance, heavy-duty Hot Shot series version made with a special Mosfet technology for cooler running (as noted)

FITS MODEL	PART #
<b>BMW</b>	
C600 Sport 11-15	<b>2112-1630</b>
C650GT 11-20	<b>2112-1630</b>
C650 Sport 16-20	<b>2112-1630</b>
HP4 1000RR 12-15	<b>2112-1630</b>
S1000R 13-21	<b>2112-1630</b>
S1000RR 09-19	<b>2112-1630</b>
S1000XR 15-19	<b>2112-1630</b>
R1200GSW 13-17	<b>2112-1630</b>
R1200R 15	<b>2112-1630</b>
R1200RS 14-17	<b>2112-1630</b>
R1200RT 14-17	<b>2112-1630</b>



2112-1630



2112-1652

FITS MODEL	PART #
<b>HONDA</b>	
CB250SC Nighthawk 91-08	<b>2112-1652<sup>1</sup></b>
CB400F 89-90	<b>2112-1652<sup>1</sup></b>
CB600F 04,06	<b>2112-1652<sup>1</sup></b>
CBR600F2/3/4 Super Sport 91-00	<b>2112-1652<sup>1</sup></b>
CBR600SE/SJR 96,98	<b>2112-1652<sup>1</sup></b>
VT750C/C2/CD Ace 88-03	<b>2112-1652<sup>1</sup></b>
PC800 Pacific Coast 90, 94-98	<b>2112-1652<sup>1</sup></b>
CBR900RR 93-95	<b>2112-1652<sup>1</sup></b>
CBR900RR 96-99	<b>2112-1652<sup>1</sup></b>
VTR1000F Superhawk 97-05	<b>2112-1652<sup>1</sup></b>

<sup>1</sup> Hot Shot series.



**mo.LOCK DIGITAL IGNITION LOCK AND ACCESSORIES**

- Contactless digital ignition lock
- No more fumbling with keys or mechanical wear on lock cylinders
- The ignition and power supply of the bike is switched on when within 30 mm-50 mm of the digital key/transponder
- Uses the most recent NFC technology (Near-Field-Communication)
- Each key is singular by its digital code and cannot be spoofed
- Includes one master key and one user key that are the size of a key tag
- Optional wiring harness kit ensures seamless installation process
- NFC connection cable is a high quality, 2m long, 3-wire cable for connecting the mo.lock NFC and fits the included cable cover



2105-0133

PART #	DESCRIPTION	PART #	DESCRIPTION	PART #	DESCRIPTION
2105-0133	mo.lock NFC digital ignition lock	2105-0134	mo.lock NFC wiring kit	2105-0135	mo.lock NFC connect cable



2107-0320



**MAGNUM ELECTRIC HORN SET**

- With an output of 118 decibels, these electric horns are the loudest on the market; over three times as loud as most stock horns and an economical choice
- Easy bolt-on replacement and electrical hookup for most bikes
- Horns measure 3" x 3" x 3" each
- Plug-and-play wiring with specific mounting hardware kits available for most bikes
- Set includes two horns (one high and one low tone), mounting brackets and installation instructions
- Hardware kit includes fuse, 30A relay, all wiring, mounting hardware and instructions; multi-application hardware kit (sold separately) works with most other models
- Wiring kit includes relay, fuse, wiring and mounting hardware, along with detailed installation instructions to install Magnum Electric Horn Set

DESCRIPTION	PART #
Universal	2107-0320
For Yamaha Roadstar/Roadliner/Stratoliner	2107-0321
For Honda VTX1300/1800	2107-0323



## LIGHT BAR BRACKET FOR POLARIS

- Laser cut from 11-gauge steel
- Powdercoated for superior protection
- Easy installation using factory holes
- Sold as a pair

### APPLICATIONS

FITS MODEL	PART #
RZR 900S 15-22	<b>2001-2493</b>
RZR XP900 11-14	<b>2001-2493</b>

FITS MODEL	PART #
RZR 1000S 16-21	<b>2001-2493</b>
RZR XP1000 14-22	<b>2001-2493</b>



## ADD-ON GRILLE FOR POLARIS RZR XP1000 19-22

- Constructed of laser-cut steel; black powdercoat finish for superior protection
- Helps protect radiator from rocks and debris
- Fills gap in factory grille



DESCRIPTION	PART #
Black grille	<b>2001-2492</b>



## DRIVER FLOORBOARD RISERS FOR CAN-AM SPYDER RT 20-22

- Laser-cut steel
- Raises stock floorboards and brake pedal 1"
- Available in a black powdercoat finish

DESCRIPTION	PART #
Driver floorboard risers	<b>1621-1060</b>

## TOW LOOP FOR POLARIS RZR 900S/1000S/1000XP/GENERAL

- Made from solid 1/2" bar stock and welded on both the front and back side of the steel base plate
- Bolts in three places using existing holes
- May not work with some bumpers

DESCRIPTION	PART #
Tow loop	<b>4510-1660</b>



**MOOSE**  
 RACING

### TRUEING STAND

- Professional trueing stand for more precise results
- Includes 2 digital indicators to true side-to-side and up-down simultaneously – no more guesswork
- Flexible mounts fix indicators exactly where needed
- Lightweight, yet rigid, aluminum frame and axle fits wheels from 16"-21" with 20 mm-30 mm axles
- Unique threaded cones on axle keep wheel more secure than cones with index screws
- Stand's base has adjustable rubber feet to maintain level axle


**DESCRIPTION**

Trueing stand

**PART #**

0365-0138

### MOUNTAIN BIKE STAND

- Unique design holds bike upright by simply rolling onto the stand
- Adjustable design fits most wheels up to 29,5" diameter and 2,80" in width
- Rubber feet add stability help keep the stand in place
- Powdercoated tubular steel is strong and withstands abuse
- Light assembly required; hardware and instructions included


**DESCRIPTION**

Mountain bike stand

**PART #**

4101-0553

### MR-2 FUNDAMENTAL BIKE STAND

- An affordable option for storing your bike
- Stand is constructed from lightweight steel tubing and powdercoated black
- Stand top uses a rubber mat for added protection of frame rails


**DESCRIPTION**

MR-2 Fundamental Bike Stand

**PART #**

4110-0186



### MX1 STAINLESS STEEL SPOKE SETS

- Strong T302H stainless steel for maximum tensile strength
- Spokes are polished to maintain surface strength
- Interchangeable with Moose Racing and stock rims and hubs
- Must use with MX1 Spoke Nipples (sold separately)
- Precision threads match perfectly with MX1 Spoke Nipples (sold separately)
- Includes all spokes necessary to assemble one wheel

FITS MODEL	SIZE	GAUGE	PART #
<b>GASGAS</b>			
All models 125-450 21-23	19"	8	<b>0211-0235</b>
All models 125-450 21-23	21"	8	<b>0211-0236</b>
<b>HUSQVARNA</b>			
FC/TC 125-501 15-23	19"	8	<b>0211-0235</b>

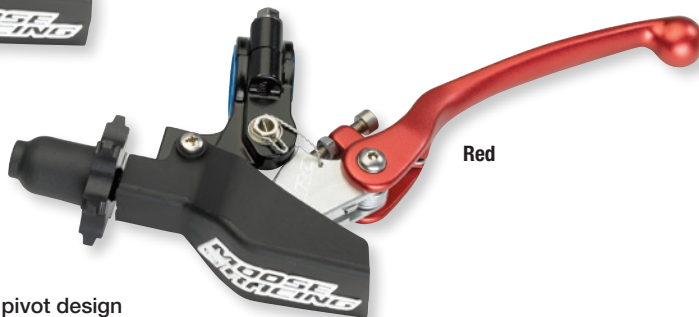
FITS MODEL	SIZE	GAUGE	PART #
<b>HUSQVARNA (CONT)</b>			
125-501 15-23 (all models)	21"	8	<b>0211-0236</b>
<b>KTM</b>			
SX/SX-F 125-500 98-23	19"	8	<b>0211-0235</b>
SX/SX-F/EXC/EXC-F 125-500 98-23	21"	8	<b>0211-0236</b>



Black



Blue



Red

### MOOSE RACING BY ARC DC8 CLUTCH ASSEMBLIES

- Say goodbye to lever play and vibration thanks to the ARC external lever pivot design
- Oversized cast perch, forged flex lever, spiked rubber cable adjuster and a nylon handlebar sleeve make up this precision control
- ARC flex lever blade with reach adjust is hinged to move out of the way in most impact situations
- Fits all 01-23 off-road bikes with cable-operated clutch
- Available in black, blue or red with laser-etched Moose Racing by ARC logos
- Replacement levers fit Moose Racing by ARC DC8 clutch assembly only
- DC8 refresh kit PART #0614-1859 includes two rubber guards, lever pivot bolt, stainless steel wire and pivot bushings

DESCRIPTION	PART #
<b>MOOSE RACING BY ARC DC8 CLUTCH ASSEMBLY</b>	
Black lever	<b>0612-0499</b>
Blue lever	<b>0612-0500</b>
Red lever	<b>0612-0501</b>

DESCRIPTION	PART #
<b>MOOSE RACING BY ARC DC8 REPLACEMENT LEVERS AND REFRESH KIT</b>	
Black lever	<b>0613-2060</b>
Blue lever	<b>0613-2061</b>
Refresh kit	<b>0614-1859</b>



Black



Blue



Red

## FLEX LEVERS BY ARC

- Brake and clutch levers available
- Forged, anodized, and hinged levers with CNC-machined master cylinder interfaces
- Adjustable reach allows customization to rider's hand size
- ARC hinge design allows lever to flex out of the way in most impact situations
- Pushrod or ball bearing contact styles for positive brake modulation
- Available in black, blue or red with laser-etched Moose Racing by ARC logos

## BRAKE LEVERS

FITS MODEL	BLACK	BLUE	RED
<b>HONDA</b>			
CR125R/250R 05-07	0614-1848	-	0614-1849
CRF250R/450R 05-06	0614-1848	-	0614-1849
CRF250R/450R 07-22	0614-1850	-	0614-1851
CRF250X/450X 04-20	0614-1848	-	0614-1849
<b>HUSQVARNA</b>			
TC/FC "Brembo" 01-13 (not for 65-85)	0614-1854	0614-1855	-
TC/FC "Brembo" 14-20 (not for 65-85)	0614-1852	0614-1853	-
TC/FC Magura 18-21	0613-2067	0613-2068	-
<b>KAWASAKI</b>			
KX65/85 00-21	0614-1842	0614-1843	0614-1844
KX125/250 00-09	0614-1842	0614-1843	0614-1844
KX250F/450F 04-12	0614-1842	0614-1843	0614-1844
KX250F 05-20/450F 06-18	0614-1845	0614-1846	0614-1847
KX250F 19-22	0614-1858	-	-
KX250 X 21-22	0614-1858	-	-
KX450 19-22	0614-1858	-	-
KX450 X 21-22	0614-1858	-	-
KX450 SR 22	0614-1858	-	-

## CLUTCH LEVERS

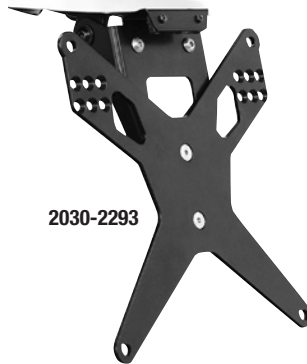
FITS MODEL	BLACK	BLUE	RED
<b>BETA</b>			
125-500 RR/RS models 12-21 (all)	0613-2063	0613-2064	0613-2065
<b>HUSQVARNA</b>			
TC/FC 00-13	0613-2062	-	-
TC/FC 14-18 w/ Brembo	0613-2063	0613-2064	0613-2065
TC/FC 15-17 w/ Magura	0613-2067	0613-2068	-
TC/FC Magura 18-21	0613-2067	0613-2068	-
<b>KAWASAKI</b>			
KX250 21-22	0613-2069	-	-
KX250 X 21-22	0613-2069	-	-
KX450 F 19-22	0613-2069	-	-

FITS MODEL	BLACK	BLUE	RED
<b>KTM</b>			
SX 65 14-22	0614-1856	0614-1857	-
SX 85 13-22	0614-1856	0614-1857	-
All KTM "Brembo" 01-13 (except 65-85)	0614-1854	0614-1855	-
All KTM "Brembo" 14-21 (except 65-85)	0614-1852	-	-
Free Ride 350 13-17	0614-1856	0614-1857	-
<b>SUZUKI</b>			
RM125/250 04-09	0614-1842	0614-1843	0614-1844
RMZ250 07-20/RMZ450 05-21	0614-1842	0614-1843	0614-1844
<b>YAMAHA</b>			
YZ85 05-21	0614-1842	0614-1843	0614-1844
YZ125/250 01-07	0614-1842	0614-1843	0614-1844
YZ125/250 08-21	0614-1845	0614-1846	0614-1847
YZ125X 20-21	0614-1845	0614-1846	0614-1847
YZ250X 16-21	0614-1845	0614-1846	0614-1847
YZ250F 05-06	0614-1842	0614-1843	0614-1844
YZ250F 07-22	0614-1845	0614-1846	0614-1847
YZ450F 05-07	0614-1842	0614-1843	0614-1844
YZ450F 08-22	0614-1845	0614-1846	0614-1847

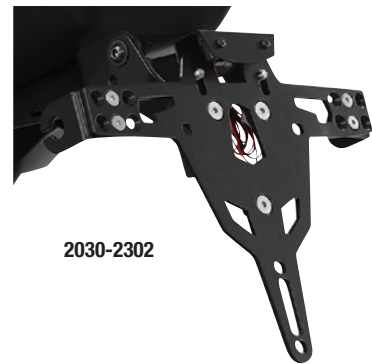
FITS MODEL	BLACK	BLUE	RED
<b>KAWASAKI (CONT)</b>			
KX450 X 21-22	0613-2069	-	-
KX 450 SR 22	0613-2069	-	-
<b>KTM</b>			
SX 65 14-18	0613-2066	-	-
SX 85/105 14-18	0613-2066	-	-
SX/XC/XC-W/EXC 250/450 w/ Magura 00-17	0613-2062	-	-
SX/XC/XC-W/EXC 06-21 (all w/ Brembo)	0613-2063	0613-2064	0613-2065
Free Ride 350 13-18	0613-2066	-	-



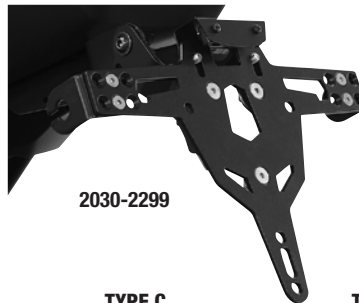
2030-2290



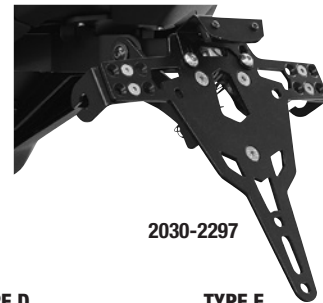
2030-2293



2030-2302



2030-2299



2030-2297

**LICENSE PLATE HOLDERS**

- Black powdercoated metal construction
- No bike body modifications required
- The angle of inclination is fully adjustable
- Turn signal holders are adjustable in three positions
- No registration required with ABE free
- The screw heads are also countersunk to ensure that the license plate is flat
- ECE approved

FITS MODEL	TYPE A	TYPE B	TYPE C	TYPE D	TYPE E
<b>DUCATI</b>					
Desert X 22-23	2030-2290	2030-2291	-	2030-2292	2030-2293
<b>HONDA</b>					
CB750 Hornet 23	2030-2298	2030-2302	2030-2299	2030-2301	2030-2300
<b>SUZUKI</b>					
GSX-S 1000 GT 21-23	2030-2294	2030-2295	-	2030-2297	2030-2296

**LICENSE PLATE HOLDER TYPES WILL FIT LICENSE PLATES FROM THE FOLLOWING COUNTRIES**

TYPE A	TYPE B	TYPE C	TYPE D	TYPE E
GERMANY	AUSTRIA	SWITZERLAND	FRANCE	ITALY
SLOVENIA	CZECH REPUBLIC	POLAND		
CROATIA	NETHERLANDS	IRELAND		
UK	BELGIUM			
	GREECE			
	SPAIN			



**MOTO PRO DIAGNOSTIC TOOL**

- Comprehensive, fully-functional scan tool for motorcycles, watercraft and recreational vehicles
- Helps you diagnose and repair issues in the computerized systems such as engine, brakes, transmission and more
- Comes with 8" Android tablet and complete connector suite
- Helps perform actuator calibrations such as idle and throttle, as well as injector tests and self-adaptive resets
- Read and clear codes
- View live data
- Rider assist and immobilizer coverage



PART #	DESCRIPTION
3807-0674	Moto Pro diagnostic tool



**WRS**

2312-1017



2312-1008



2312-0990

See chart  
for details**WINDSCREENS**

- Protects your helmet from wind and turbulence on long journeys
- Carefully designed to fit perfectly with the lines of your bike
- Made from high-quality 4 mm thick PMMA plexiglass (except where noted)
- Available in a variety of styles
- Some BMW models require additional support frames; sold separately



2312-1059

FITS MODEL	STYLE	LENGTH X WIDTH (MM)	CLEAR	SMOKE	DARK SMOKED	MATTE BLACK	GLOSS BLACK	YELLOW
<b>APRILIA</b>								
Tuono V4/Factory 21-23	Sport	235 mm x 340 mm	-	-	<b>2312-1015</b>	<b>2312-1016</b>	-	-
	Touring	385 mm x 340 mm	<b>2312-1017</b>	-	<b>2312-1018</b>	-	-	-
Tuono 660 21-23	Sport	235 mm x 340 mm	-	-	<b>2312-1015</b>	<b>2312-1016</b>	-	-
	Touring	385 mm x 340 mm	<b>2312-1017</b>	-	<b>2312-1018</b>	-	-	-
Tuareg 660 22-23	Touring Plus	-	<b>2312-1062</b>	<b>2312-1064</b>	-	-	-	-
	Touring	-	<b>2312-1065</b>	<b>2312-1066</b>	-	-	-	-
	Standard Plus	-	<b>2312-1067</b>	<b>2312-1068</b>	-	-	-	-
	Standard	-	<b>2312-1072</b>	<b>2312-1070</b>	-	-	-	-
Enduro	-	-	<b>2312-1071</b>	-	<b>2312-1073</b>	-	-	-
	-	-	-	-	-	-	-	-
SR GT 125/200 22-23	Touring	530 mm x 410 mm	<b>2312-1023</b>	<b>2312-1024</b>	-	-	-	-
<b>BMW</b>								
S 1000 R 22-23	Touring	310 mm x 330 mm	<b>2312-0995</b>	<b>2312-0993</b>	<b>2312-0996</b>	-	-	-
	Sport	250 mm x 280 mm	<b>2312-0997</b>	-	<b>2312-1001</b>	<b>2312-0999</b>	-	-
R 1250 RT 21-23	Sport	520 mm x 600 mm	<b>2312-1007</b>	-	<b>2312-1005</b>	-	-	-
	Standard	600 mm x 660 mm	<b>2312-1006</b>	<b>2312-1008</b>	-	-	-	-
	Touring	640 mm x 660 mm	<b>2312-1009</b>	<b>2312-1010</b>	-	-	-	-
<b>DUCATI</b>								
Supersport 939/S 17-20	Touring	490 mm x 435 mm	<b>2312-0988</b>	<b>2312-0986</b>	<b>2312-0987</b>	-	-	-
	Sport	370 mm x 320 mm	<b>2312-0991</b>	<b>2312-0989</b>	<b>2312-0990</b>	-	-	-
Supersport 950/S 21-23	Touring	490 mm x 435 mm	<b>2312-0988</b>	<b>2312-0986</b>	<b>2312-0987</b>	-	-	-
	Sport	370 mm x 320 mm	<b>2312-0991</b>	<b>2312-0989</b>	<b>2312-0990</b>	-	-	-
Panigale V2 955 (Track) 20-23	Race	-	<b>2312-1025<sup>1</sup></b>	-	-	-	-	-
Diavel V4 23	Touring	335 mm x 280 mm	<b>2312-1036</b>	-	<b>2312-1037</b>	<b>2312-1038</b>	-	-
	Sport	285 mm x 245 mm	<b>2312-1042</b>	-	<b>2312-1040</b>	<b>2312-1041</b>	-	-
<b>HONDA</b>								
Hornet 750 23	Caponord	510 mm x 320 mm	<b>2312-1028</b>	<b>2312-1027</b>	<b>2312-1029</b>	-	-	-
	Touring	430 mm x 350 mm	<b>2312-1030</b>	<b>2312-1031</b>	<b>2312-1032</b>	-	-	-
	Sport	320 mm x 320 mm	<b>2312-1033</b>	<b>2312-1034</b>	<b>2312-1035</b>	-	-	-
XL 750 Transalp 23	Caponord	505 mm x 300 mm	<b>2312-1051</b>	<b>2312-1052</b>	-	-	-	-
	Touring	455 mm x 300 mm	<b>2312-1053</b>	<b>2312-1054</b>	<b>2312-1055</b>	-	-	-
	Sport	320 mm x 340 mm	<b>2312-1056</b>	<b>2312-1057</b>	<b>2312-1058</b>	-	-	<b>2312-1059</b>

<sup>1</sup> Plexiglass is 2 mm thick.

WINDSCREENS continued on next page



See chart for details

## WINDSCREENS (CONT)



2312-1074



2312-1022



2312-1043



2312-1061



2312-1003

FITS MODEL	STYLE	LENGTH X WIDTH (MM)	CLEAR	SMOKE	DARK SMOKED	MATTE BLACK	GLOSS BLACK	YELLOW
<b>HUSQVARNA</b>								
Norden 901 22-23	Caponord	-	2312-1079	2312-1083	-	-	-	-
	Touring	-	2312-1078	2312-1081	2312-1082	-	-	-
	Enduro	-	2312-1077	-	2312-1076	2312-1075	2312-1074	-
Norden 901 Expedition 23	Caponord	-	2312-1079	2312-1083	-	-	-	-
	Touring	-	2312-1078	2312-1081	2312-1082	-	-	-
	Enduro	-	2312-1077	-	2312-1076	2312-1075	2312-1074	-
<b>KAWASAKI</b>								
Z 900 20-23	Touring	310 mm x 370 mm	-	-	2312-1019	2312-1020	-	-
	Sport	235 mm x 280 mm	-	-	2312-1021	2312-1022	-	-
Ninja 1000 SX 21-23	Caponord	470 mm x 340 mm	2312-1043	2312-1044	2312-1045	-	-	-
	Touring	390 mm x 340 mm	2312-1046	2312-1047	2312-1048	-	-	-
	Sport	355 mm x 300 mm	2312-1049	-	2312-1050	-	-	-
<b>SYM</b>								
Jet X 125 23	Touring	520 mm x 420 mm	2312-1063	2312-1061	-	-	-	-
<b>TRIUMPH</b>								
Speed Triple 1200RR 22-23	Sport	390mm x 260 mm	2312-1000	2312-1002	2312-1003	-	-	-
Tiger Sport 660 22-23	Touring	590 mm x 410 mm	2312-1011	2312-1012	-	-	-	-
	Sport	460 mm x 330 mm	2312-1013	-	2312-1014	-	-	-



2350-0557



2350-0558

## SUPPORT FRAMES FOR BMW

FITS MODEL	PART #	FITS MODEL	PART #
750GS 18-23	2350-0557	S1000R 22-23	2350-0558



**SW-MOTECH®**

**WINDSCREEN**  
**FOR CF MOTO CL-X 700 HERITAGE 22-23**

- Made of extra-strong aluminum alloy to replace the original plastic front
- Includes base unit and windscreen
- Fits on original fairing mounts

DESCRIPTION	PART #
Windscreen, silver	<b>2312-1084</b>

**WRS**  
**NAVIGATOR SUPPORT FRAME**  
**FOR HONDA XL 750 TRANSALP 23**

- Easily mount your navigator or smartphone above the dashboard display
- Connection tube diameter is 12 mm
- Made-to-measure specifically to fit to the frame

DESCRIPTION	PART #
Navigator support frame	<b>0603-1120</b>



2350-0559



2350-0560



2350-0561



2350-0563

**WRS**  
**SIDE DEFLECTORS**

- Decrease air pressure on the shoulder and arms for maximum comfort on long rides
- 4 mm thick
- Sold in pairs

FITS MODEL	COLOR	PART #
<b>DUCATI</b>		
Multistrada V4/S/Sport/Rally 20-23	Clear	<b>2350-0559</b>
	Dark Smoke	<b>2350-0561</b>

FITS MODEL	COLOR	PART #
<b>DUCATI (CONT)</b>		
Multistrada V4 Pikes Peak 22-23	Smoke	<b>2350-0560</b>
	Matte black	<b>2350-0563</b>



## T-LOCK HOLDER FOR SOCKET ARM

- Various accessory bags such as the Navi Case, Phone Case or the Smartphone Drybag can be attached to the handlebar quickly and securely
- Bottom side of the accessory bags is equipped with a matching counterpart for the T-Lock holder
- Bags are attached to the holder and secured by a clockwise quarter rotation
- By means of the ball-and-socket joint, the T-Lock holder can be secured to a compatible socket arm and individually aligned on motorcycle's handlebar
- Includes one T-Lock holder, one ball joint with mounting plate and mounting instructions
- T-Lock smartphone cases sold separately

**NOTE:** Accessory bags with a MOLLE system on the bottom can also be attached to the T-Lock holder for socket arm. This requires the T-Lock holder with Molle adapter PART #3502-0597 (sold separately).



## T-LOCK UNIVERSAL MOUNT KIT WITH SMARTPHONE CASE

- Allows for safe position of a GPS device or smartphone in the motorcycle cockpit
- Provides various mounting options
- Swiveling socket arm allows precise positioning to keep instruments and the road in view
- Includes one universal mounting clamp with rubber inserts, one ball with M8 thread and M6 converter, one support for attaching mirror thread, one 2" socket arm, one ball joint with mounting plate, one T-Lock holder for smartphone and mounting instructions
- For smartphones with maximum external dimensions of 165 mm x 80 mm x 12 mm and minimum external dimensions of 144 mm x 71 mm x 7 mm

### DESCRIPTION

### PART #

T-Lock holder for socket arm

0636-0404

### DESCRIPTION

### PART #

T-Lock mount kit with large smartphone case

0636-0406

## LEGEND GEAR SMARTPHONE BAG

- Appealing vintage design
- Suitable for smartphone displays up to 14 cm (5,5")
- Touchscreen-compatible window
- Includes pocket for bills and credit cards
- Can be attached to Legend Gear tail bags, saddlebags, side bags and tank bags
- Military grade fastening system



### DESCRIPTION

### PART #

Legend Gear smartphone bag, black

3512-0319

## T-LOCK BALL CLAMP FOR HEAD TUBE WITH SOCKET ARM

- Features two clamping sockets to attach to head tubes with an inner diameter between 12,5 cm and 25 cm
- Compatible with clamp arm and device holders
- Allows rider to individually position a GPS device, GoPro or camera on a sport bike
- Includes one socket arm, one T-lock holder, one ball joint with mounting plate, one M8 ball adapter and mounting instructions



### DESCRIPTION

### PART #

T-Lock ball clamp for head tube with socket arm

0636-0405

## T-LOCK SMARTPHONE HOLDERS

- For quick mounting of smartphones
- Smartphone holder is placed on the matching T-Lock holder and secured with a quarter turn clockwise
- Use PART #0636-0404 for mounting on socket arms in the cockpit or PART #3502-0597 for mounting on MOLLE attachments (sold separately)
- Silicone straps allow flexible and secure mounting of smartphones
- Small smartphone holder: maximum outer dimensions of 150 mm x 75 mm x 10 mm and minimum outer dimensions of 130 mm x 70 mm x 6 mm
- Large smartphone holder: maximum outer dimensions of 165 mm x 80 mm x 12 mm and minimum outer dimensions of 144 mm x 71 mm x 7 mm

0636-0407



### DESCRIPTION

### PART #

Small smartphone case

0636-0407

Large smartphone case

0636-0408

## T-LOCK HOLDER WITH MOLLE ADAPTER

- Attach an accessory bag equipped with the MOLLE system quickly and easily
- Just put on the T-Lock, turn 90 degrees clockwise and the case is fixed
- By means of a twist-locking connector, the T-Lock holder connects accessory bags to the tail bags and tank bags with which a MOLLE system is fitted
- MOLLE attachment system is used for all PRO series tank bags and tail bags, as well as for numerous bags from the Legend Gear series
- Gives you more flexibility when transporting luggage and you can pick and use your bags depending on your own needs
- Includes one T-Lock holder, one MOLLE adapter and mounting instructions
- T-Lock smartphone cases sold separately



### DESCRIPTION

### PART #

T-Lock holder with MOLLE adapter

3502-0597



3512-0315

## PRO BLAZE SADDLEBAG SETS

- Lightweight and efficient aerodynamic design
- Constructed from durable UV-resistant 1680D ballistic nylon with water-resistant interior coating
- Side walls are made from dimensionally stable laminated EVA plastic
- Zippered volume expansion from 15 liters to 20 liters
- Include removable support arms that prevent contact with the rear tire
- A wide back strap attaches over the seat to connect the bags while providing additional support, stability and weight distribution
- Main pocket can be loaded from the top
- Reflective trim enhances visibility

FITS MODEL	PART #
<b>YAMAHA</b>	
MT-09 13-16	<b>3512-0315</b>

- Solid carrying handle
- High saddlebag set backstrap is attached higher on the seat to prevent bags from high-placed exhaust
- Sold in pairs

FITS MODEL	PART #
<b>YAMAHA (CONT)</b>	
MT-10/SP 16-23	<b>3512-0318<sup>1</sup></b>

<sup>1</sup> High saddlebag set.

## BLAZE PANNIER SPACERS

- Mounting support arms for Blaze saddlebags
- Allows riders to keep their Blaze saddlebags when they switch motorcycles

FITS MODEL	PART #
<b>SUZUKI</b>	
GSX-S1000 GT 21-23	<b>3521-0220</b>



3521-0220

FITS MODEL	PART #
<b>YAMAHA</b>	
MT-09 13-16, MT-10/SP 16-23	<b>3521-0221</b>

## FANNY PACK

- Store: smartphone, keys, wallet, driving license, documents and much more
- Universal fit
- Adjustable abdominal belt
- Abdominal belt with a click fastener – easy to use even while wearing gloves
- Main compartment with a zipper
- Additional compartment on the back
- 23 cm x 14 cm



DESCRIPTION	PART #
Fanny pack	<b>3517-0524</b>



1510-1150

### STREET-RACKS

- Compact design is perfectly suited for sport bikes and smaller street bikes
- Constructed of 5 mm-thick aluminum alloy
- Simple assembly on the original mounting points
- Black powdercoated finish

FITS MODEL	PART #
HUSQVARNA	
701 Enduro 16-23, 701 Enduro LR 19-23, 701 Supermoto 16-23	<b>1510-1150</b>

FITS MODEL	PART #
MOTO GUZZI	
V100 Mandello/S 22-23	<b>1510-1143</b>

### ADVENTURE-RACK FOR HONDA XL750 TRANSALP 22-23

- Designed to withstand road vibrations, impact and high amounts of weight
- Made of light, but sturdy, 4 mm-thick aluminum alloy
- Mounts on original attachment points
- Multiple functional bores that are compatible with adapter kits for many top cases
- Expansive contact surface with plenty of tie-down points
- Black powdercoated finish

DESCRIPTION	PART #
Adventure-Rack	<b>1510-1149</b>



1510-1149

DESCRIPTION	PART #
Adapter kit for Shad top cases	<b>1510-1146</b>



DESCRIPTION	PART #
Adapter kit for SW-Motech Trax top cases	<b>1510-1145</b>

### ADAPTER KIT FOR STEEL-RACK

- For attaching a TRAX top case to SW-MOTECH Steel-Rack PART #1510-0563
- Easy mounting: the adapter kit is screwed onto the rack



3501-1988



## PRO SIDE CARRIERS

- Extremely durable, 2,5 mm thick steel construction
- Fully removable with robust quick-release fasteners
- For permanent assembly, quick-release fasteners can be replaced by conventional M8 screws (sold separately)
- Black powdercoated finish
- Anti-theft protection available separately

FITS MODEL	PART #
<b>HONDA</b>	
XL750 Transalp 22-23	<b>3501-1988</b>
<b>TRIUMPH</b>	
Tiger 1200GT/GT Pro/Rally Pro 22	<b>1510-1153</b>
Tiger 1200 GT Explorer/Rally Explorer 22-23	<b>3501-1990</b>
<b>OPTIONAL ACCESSORY</b>	
Anti-theft protection w/ Quick-Lock	<b>3501-1991</b>

## ION TANK RINGS

- Allows mounting of ION tank bags
- Convenient quick-lock mechanism allows the tank bag to be mounted or removed in seconds
- Bike-specific design provides complete stability and optimal fit
- Simple installation
- Constructed from fiberglass-reinforced polyamide
- Mounting hardware included



3502-0593

FITS MODEL	PART #
<b>CF MOTO</b>	
CL-X 700 Heritage 22-23	<b>3502-0593</b>
800MT 21-23	<b>3502-0583</b>
<b>BMW</b>	
G310GS 20-22	<b>3502-0592</b>
<b>MOTO GUZZI</b>	
V100 Mandello/S 22-23	<b>3502-0592</b>
<b>TRIUMPH</b>	
Trident 660 21-23	<b>3502-0592</b>
Tiger 850 Sport 21-23	<b>3502-0592</b>

1510-1151



## SLC SIDE CARRIERS

- Allows for simple and secure mounting on the bike's original attachment points
- Quick-release mounting system allows side bags to be easily attached or removed
- Provides secure hold for side bags, side cases, adapter plates and universal side bracket number plates
- Available for both the left and right sides of the motorcycle
- Includes mounting hardware

DESCRIPTION	LEFT PART #	RIGHT PART #
<b>CF MOTO</b>		
CL-X 700 Heritage 22-23	<b>1510-1151</b>	<b>1510-1152</b>
<b>HONDA</b>		
XL750 Transalp 22-23	<b>3501-1989</b>	<b>3501-1987</b>
<b>TRIUMPH</b>		
Bonneville/T100/SE 04-16	<b>3501-1992</b>	-
Scrambler 865 05-16	<b>3501-1992</b>	-
Thrupton 865 04-15	<b>3501-1992</b>	-



3502-0594

## PRO TANK RINGS

- Allows mounting of PRO tank bags
- Convenient quick-lock mechanism allows the tank bag to be mounted or removed in seconds
- Bike-specific design provides complete stability and optimal fit
- Magnetic guide aid for easy attachment
- Simple installation
- Constructed from fiberglass-reinforced polyamide
- Mounting hardware included

FITS MODEL	PART #
<b>CF MOTO</b>	
800MT 21-23	<b>3502-0594</b>
CL-X 700 Heritage 22-23	<b>3502-0595</b>
<b>VOGE</b>	
500 R 19-23, 650 DS/DSX 21-23	<b>3502-0596</b>

**NARAKU**  
PARTS AND ACCESSORIES**CRANKCASE COVER GASKET**

• Crankcase gasket with exact fit; made to replace factory installed gaskets

FITS MODEL	PART #
<b>AGM</b>	
Firejet YY50QT-27 2T	0934-6425
<b>ATU</b>	
Explorer Candy 50	0934-6425
Explorer Classic 50	0934-6425
Explorer Commodo 50	0934-6425
Explorer Hi 50	0934-6425
Explorer Iron 50	0934-6425
Explorer Jump 50	0934-6425
Explorer Race 50	0934-6425
Explorer Race GT 50	0934-6425
Explorer Race GT 50 Edition EM 12	0934-6425
Explorer Race GT 50 Limited	0934-6425
Explorer Speed 50	0934-6425
Explorer Spin 50 GE 50	0934-6425
Explorer Spin 50 GE 50 Blue Edition	0934-6425
<b>BAOTIAN / BMT</b>	
BT49QT-18C1 B010	0934-6425
BT49QT-18E1 Rocky	0934-6425
BT49QT-18F1 Tanco	0934-6425
BT49QT-20C	0934-6425
BT49QT-28A	0934-6425
<b>BENELLI</b>	
49X QuattronoveX 50	0934-6425
<b>BENZHOU</b>	
YY50QT-27	0934-6425
<b>CPI</b>	
Aragon 50	0934-6425
Aragon 50 GP	0934-6425
Bingo 50 / Tennessee 50 -03	0934-6425
Formula 50 R 08-	0934-6425
Freaky 50	0934-6425
Hussar 50 00-05	0934-6425
Oliver 50 01-04	0934-6425
Oliver 50 City 05-07	0934-6425
Oliver 50 Sport 05-07	0934-6425
Popcorn 50 01-06	0934-6425
<b>FROSTINGER</b>	
Classic 50	0934-6425
Classic Union Jack 50	0934-6425
Jump 50	0934-6425
Omen Toxic 50	0934-6425
Paradise 50 2T	0934-6425
Vendetta 50 2T	0934-6425
<b>GENERIC</b>	
Candy 50	0934-6425
Classic 50	0934-6425
Commodo 50	0934-6425
Cacker 50 2T	0934-6425
Epico 50	0934-6425
Evolution 50	0934-6425
Hi 50	0934-6425
Ideo 50	0934-6425
Iron 50	0934-6425
Jump 50	0934-6425
Kallio 50	0934-6425

FITS MODEL	PART #
<b>GENERIC (CONT)</b>	
Onyx 50 2T	0934-6425
Pandora 50 2T	0934-6425
Race 2 GT 50 2T	0934-6425
Race GT 50	0934-6425
Roc 50	0934-6425
Sirion 50 2T	0934-6425
Speed 50	0934-6425
Spin 50 GE	0934-6425
Toxic 50	0934-6425
Toxic 50 Sport	0934-6425
Vendetta 50 2T	0934-6425
Vertigo 50 2T	0934-6425
XOR 50	0934-6425
XOR 50 Competition	0934-6425
XOR 50 Stroke	0934-6425
XOR 2 50	0934-6425
XOR 2 50 Anniversary	0934-6425
XOR 2 50 Competition	0934-6425
XOR 2 50 Stroke	0934-6425
<b>JACKFOX</b>	
YY50QT-27	0934-6425
<b>KEEWAY</b>	
ARN 50 2T 09-13	0934-6425
Easy 50 2T 09-14	0934-6425
F-Act 50 2T 07-17	0934-6425
Flash 50 2T	0934-6425
Focus 50 2T	0934-6425
Goccia 50 2T 09-15	0934-6425
Hacker 50 2T 09-12	0934-6425
Hurricane 50 2T 05-17	0934-6425
Matrix 50 2T 06-17	0934-6425
Pixel 50 2T 09-12	0934-6425
RY6 50 2T 08-20	0934-6425
RY8 50 2T 08-14	0934-6425
RY8 50 2T Evo	0934-6425
RY8 50 2T Racing	0934-6425
Swan 50 2T 09-13	0934-6425
Venus 50 2T 08-14	0934-6425
<b>LONGJIA</b>	
LJ50QT-F	0934-6425
LJ50QT-F-01	0934-6425
LJ50QT-H	0934-6425
LJ50QT-K	0934-6425
<b>MZ / MUZ</b>	
Moskito Classico 50 2T	0934-6425
Moskito FB50 Base 50 2T 97-03	0934-6425
Moskito RX 50 2T 99-03	0934-6425
Moskito SX 50 2T 97-03	0934-6425
<b>MALAGUTI</b>	
F12 Phantom AC 07-	0934-6425
<b>MAWI</b>	
Desire Race 50 2T	0934-6425
Power Star 50 2T	0934-6425
Racing Power 50 2T	0934-6425



0934-6425

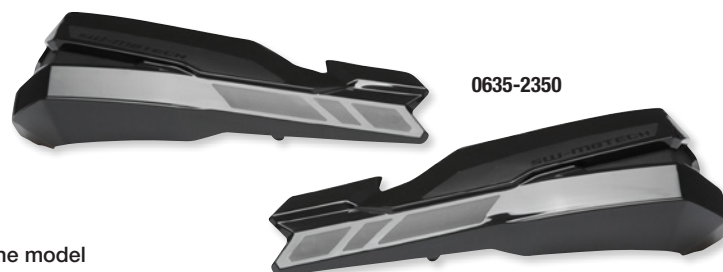
FITS MODEL	PART #
<b>MOTOFINO</b>	
MF50QT-2 50 2T	0934-6425
<b>MOTOMOJO</b>	
Roadster 50 2T	0934-6425
Uptown 50 2T	0934-6425
<b>MOTORRO</b>	
City Hooper 50	0934-6425
Polly 50	0934-6425
Sprint 50	0934-6425
Tria 50	0934-6425
<b>NOVA MOTORS</b>	
GT3 50 2T	0934-6425
<b>POWERSPORTS FACTORY</b>	
Viaggio RX8 50 2T	0934-6425
<b>PULSE</b>	
BT49QT-20CA Force	0934-6425
<b>QIANJIANG</b>	
B-05 50 2T	0934-6425
B-08 50 2T	0934-6425
<b>RIDE</b>	
Classic 50 2T AC	0934-6425
Classic Union Jack 50 2T AC	0934-6425
Jump 50 2T AC	0934-6425
Omen 50 2T AC	0934-6425
Paradise 50 2T AC	0934-6425
Vendetta 50 2T AC	0934-6425
<b>SACHS</b>	
Eagle 5	
SX1	0934-6425
Speedforce R	0934-6425
Speedjet 50	0934-6425
<b>TNG</b>	
LS49 50 2T	0934-6425
SS49 50 2T	0934-6425
Venice 49 50 2T	0934-6425
<b>TANK</b>	
Classic 50 2T	0934-6425
<b>TAURIS</b>	
Mambo 50 2T AC 08-09	0934-6425
Samba 50 2T AC 08-17	0934-6425
<b>VENTO</b>	
Triton 50 2T	0934-6425
Zip 50 2T	0934-6425
<b>YAMATI</b>	
RX8 50 2T	0934-6425





## KOBRA HANDGUARD KITS

- Modern design fits seamlessly into the look of the motorcycle
- Protect the levers and hands from weather and debris
- Aluminum bar with robust two- or one-point mounting, depending on the model
- Handguard shells are made from impact-resistant polypropylene plastic



FITS MODEL	PART #
<b>DUCATI</b>	
DesertX 22-23	<b>0635-2350</b>
<b>KAWASAKI</b>	
KLR650 22-23	<b>0635-2349</b>

FITS MODEL	PART #
<b>TRIUMPH</b>	
Tiger 1200GT/GT Pro/Rally Pro 22	<b>0635-2351</b>
Tiger 1200 GT Explorer/ Rally Explorer 22-23	<b>0635-2352</b>

FITS MODEL	PART #
<b>VOGE</b>	
Rally 300 22-23	<b>0635-2348</b>
<b>YAMAHA</b>	
MT-07 20-23	<b>0635-2348</b>

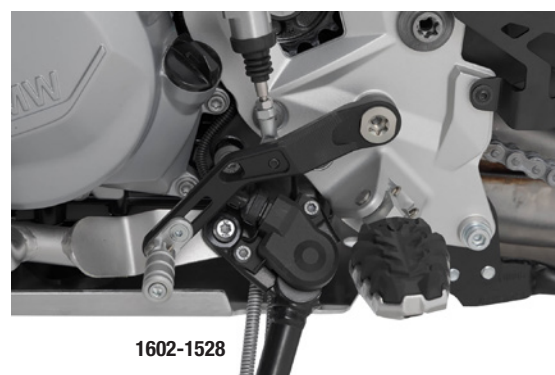
## GEAR LEVERS

- Modern, two-piece design and constructed with CNC-milled aluminum
- Spring mechanism enables lever to be folded down and protects it in case of a crash
- Can be adjusted 1 cm, 2 cm or 3 cm beyond the original position
- Scratch resistant

FITS MODEL	PART #
<b>BMW</b>	
F750GS 17-23	<b>1602-1528</b>
F850GS 17-23, F850GS Adventure 18-23	<b>1602-1528</b>
F900R 19-23	<b>1602-1529</b>
F900XR 19-23	<b>1602-1530</b>
R1200GS 04-12	<b>1602-1520</b>
R1200GS Adventure 06-13	<b>1602-1520</b>
<b>DUCATI</b>	
Scrambler 803 Desert Sled 16-18	<b>1602-1521</b>
DesertX 22-23	<b>1602-1534</b>
Multistrada V4/S/S Sport 20-23, Multistrada V4 Pikes Peak 21-23	<b>1602-1533</b>
<b>HONDA</b>	
CB650R 18-23	<b>1602-1524</b>
CB750 Hornet 22-23	<b>1602-1525</b>
NT1100A 21-23	<b>1602-1523</b>

## BRAKE PEDAL EXTENSION FOR MOTO MORINI X-CAPE 650 21-23

- Enhances original brake pedal with a wider raised surface
- Ridged surfaces improves grip even when wet or dirty
- Raised contact surface by 22 mm or 27 mm



FITS MODEL	PART #
<b>SUZUKI</b>	
V-Strom DL650/XT 11-23	<b>1602-1519</b>
V-Strom DL1000/XT 14-19	<b>1602-1526</b>
V-Strom DL1050/XT 19-23	<b>1602-1526</b>
<b>TRIUMPH</b>	
Tiger 660 Sport 21-23	<b>1602-1532</b>
Tiger 1200 XC/XCa/XCx/XRt/XRx 15-23	<b>1602-1531</b>
Tiger Explorer/Explorer XC 1200 11-15	<b>1602-1531</b>
Speed Triple 1200 RR/RS 21-23	<b>1602-1522</b>
<b>YAMAHA</b>	
XSR700 15-23, XSR700X Tribute 19-23	<b>1602-1535</b>
MT-07 20-23, MT-07 Tracer 16-19, MT-07 Tracer 7 21-23, MT-07 Tracer GT 21-23	<b>1602-1535</b>
MT-09 20-23	<b>1602-1527</b>



DESCRIPTION	PART #
Brake pedal extension	<b>1610-0688</b>



## AXLE SLIDER SETS

- Available for front and rear axles
- Offers additional protection for the motorcycle axles, swingarms and drive shaft in case of an accident
- Constructed from abrasion-resistant nylon
- Comes with two sliders, mounting hardware and instructions



0505-2379

### FRONT AXLE SLIDER SETS

FITS MODEL	PART #
<b>MOTO MORINI</b>	
X-Cape 650 21-23	<b>0505-2379</b>

FITS MODEL	PART #
<b>YAMAHA</b>	
YZF-R6 (RJ27) 16-23	<b>0505-2373</b>

FITS MODEL	PART #
<b>YAMAHA (CONT)</b>	
YZF-R1 15-23	<b>0505-2373</b>

### REAR AXLE SLIDER SET

FITS MODEL	PART #
<b>DUCATI</b>	
DesertX 22-23	<b>0505-2374</b>
Panigale 899 14-15	<b>0505-2374</b>
Panigale 959 16-23	<b>0505-2374</b>

FITS MODEL	PART #
<b>DUCATI (CONT)</b>	
Monster 821 17-23	<b>0505-2374</b>
Multistrada 950 16-21, Multistrada 950 S 18-21	<b>0505-2374</b>
Multistrada 950 V2/S 21-23	<b>0505-2374</b>

FITS MODEL	PART #
<b>DUCATI (CONT)</b>	
Multistrada V4/S/S Sport 20-23	<b>0505-2374</b>
Multistrada 1200 S 16-18	<b>0505-2374</b>
Multistrada 1260 Enduro 17-23	<b>0505-2374</b>

## CRASH BARS

- Offer reliable protection for important components
- Model-specific design fits seamlessly with the lines of the bike and provide optimal cornering clearance
- No modifications needed for mounting
- Black powdercoated finish, unless noted
- Match the look and feel of the motorcycle
- 27 mm diameter
- Sold in pairs
- Include mounting hardware and instructions

0505-2381



FITS MODEL	PART #
<b>CF MOTO</b>	
CL-X 700 Heritage 22-23	<b>0506-2030</b>
<b>HONDA</b>	
CB500X 18-23	<b>0506-2031<sup>1</sup></b>
X-ADV 750 20-23	<b>0505-2381</b>

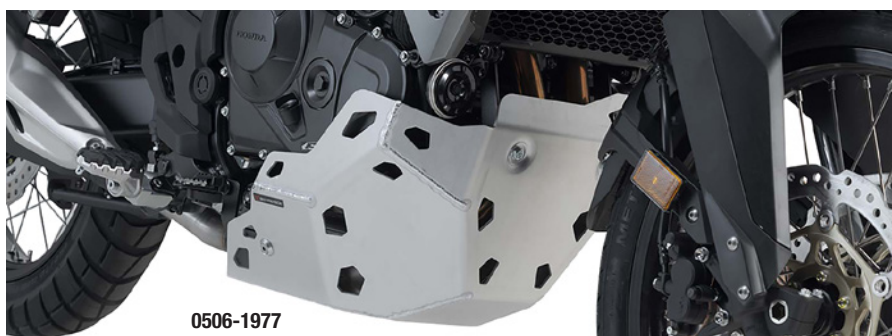
FITS MODEL	PART #
<b>HONDA (CONT)</b>	
XL750 Transalp 22-23	<b>0505-2378</b>
<b>MOTO GUZZI</b>	
V100 Mandello/S 22-23	<b>0506-1979</b>

FITS MODEL	PART #
<b>ROYAL ENFIELD</b>	
Classic 350 22-23	<b>0506-2004</b>
<b>SUZUKI</b>	
V-Strom 1000/XT 14-19	<b>0506-1981</b>

<sup>1</sup> Upper crash bar.

## ENGINE GUARDS

- Provides additional protection against rocks and contact with the ground
- High-quality aluminum alloy construction
- Secure fit doesn't affect ground clearance
- Easy installation on frame mounting points
- Also protects header and exhaust parts
- Cutouts allow access to oil drain screws



0506-1977

FITS MODEL	COLOR	PART #
<b>HONDA</b>		
XL750 Transalp 22-23	Black/silver	<b>0506-1977</b>
<b>KTM</b>		
KTM SMC 690 R 19-23	Silver	<b>0505-2380</b>
<b>MOTO GUZZI</b>		
V100 Mandello/S 22-23	Black	<b>0506-1980</b>



**CENTERSTANDS**

- Bike-specific design allows for easy mounting and a high-cornering clearance
- Easily lifts up motorcycle
- Highly corrosion-resistant
- Ideal for keeping the load off the tires during long periods of storage
- Black powdercoated surface
- Mounting hardware included
- Not ABE/TÜV approved

4101-0578

FITS MODEL	PART #
<b>BMW</b>	
F900 R/XR 19-23	<b>4101-0576</b>
<b>DUCATI</b>	
Multistrada 950 16-23	<b>4101-0578</b>

FITS MODEL	PART #
<b>DUCATI (CONT)</b>	
Multistrada 950 S 18-23	<b>4101-0578</b>
Multistrada V2 950 21-23	<b>4101-0578</b>
Multistrada V2 950 S 21-23	<b>4101-0578</b>

FITS MODEL	PART #
<b>KAWASAKI</b>	
KLR650 22-23	<b>4101-0577</b>
<b>YAMAHA</b>	
XTZ 690/700 Tenere 19-23, XTZ 690/700 Tenere Rally 20-23	<b>4101-0575</b>



**TRAX ADV TOP CASE INLAY INSERT**

- Made from EVA and protects from scratches and internal damage
- Attach to the inside of the case using hook-and-loop strips

DESCRIPTION	PART #
Top case inlay insert	<b>3550-0423</b>



**TRAX ADV SIDE CASE INLAY INSERT**

- Made from EVA and protects from scratches and internal damage
- Attach to the inside of the case using hook-and-loop strips

DESCRIPTION	PART #
Side case inlay insert	<b>3550-0422</b>



**TRAX LOCK SET**

- Compatible with Trax ION and Trax ADV side and top cases
- Seven matching locks and two keys

DESCRIPTION	PART #
Set of seven	<b>4010-0468</b>



Includes clear & dark smoke FliteShields™ & dark smoke DropShield™



**AIRFLITE™ MIPS HELMET**

- MIPS Brain Protection System can reduce harmful forces transmitted to the brain in certain types of impacts by allowing a slight uncoupled movement of the shell and liner during a crash
- Injection-molded polycarbonate shell for strength
- Multiple oversized intake and exhaust ports are strategically placed to keep you cool and comfortable, including four intake vents, MX-inspired chinbar vent and two exhaust ports that channel air between the comfort liner and the protective, energy-absorbing EPS foam liner
- Quick-change, fog-free outer FliteShield™ keeps debris away, while the internal, interchangeable DropShield™ keeps the sun in check with a flip of a switch
- Removable molded breath deflector and chin curtain

- Moisture-wicking Hydradry™ interior is fully removable and washable
- Both wind drag and weight are decreased by sculpting the traditional neckline of the Airflite™ to avoid jacket or suit interference
- See helmet size guide on page 29 before ordering
- Meets DOT FMVSS 218 (US), ECE 22.06 (Europe), SAI AS1698:2006 (Australia) and PSC (Japan) safety and testing standards

**NOTE: Does not ship with SAI, PSC OR MFJ certification stickers unless purchased from an authorized dealer in that country.**

SIZE	EDO	SIZE	EDO	SIZE	EDO	SIZE	EDO
XS	0101-16621	M	0101-16623	XL	0101-16625	3X	0101-16627
S	0101-16622	L	0101-16624	2X	0101-16626		



Includes clear FliteShield™ & dark smoke DropShield™

**ECE 22.06**

**AIRFLITE™**

- Injection-molded polycarbonate shell for strength
- Multiple oversized intake and exhaust ports are strategically placed to keep you cool and comfortable, including four intake vents, MX-inspired chinbar vent and two exhaust ports that channel air between the comfort liner and the protective, energy-absorbing EPS foam liner
- Quick-change, fog-free outer FliteShield™ keeps debris away, while the internal, interchangeable DropShield™ keeps the sun in check with a flip of a switch
- Removable molded breath deflector and chin curtain
- Moisture-wicking Hydradry™ interior is fully removable and washable

- Both wind drag and weight are decreased by sculpting the traditional neckline of the Airflite™ to avoid jacket or suit interference
- See helmet size guide below before ordering
- Meets DOT FMVSS 218 (US), ECE 22-06 (Europe), SAI AS1698:2006 (Australia) and PSC (Japan) safety and testing standards

**NOTE: Does not ship with SAI, PSC OR MFJ certification stickers unless purchased from an authorized dealer in that country.**

**AIRFLITE™ DARK**

SIZE	RUBATONE™ BLACK	SIZE	RUBATONE™ BLACK
XS	<b>0101-16666</b>	M	<b>0101-16668</b>
S	<b>0101-16667</b>	L	<b>0101-16669</b>

SIZE	RUBATONE™ BLACK	SIZE	RUBATONE™ BLACK
XL	<b>0101-16670</b>	3X	<b>0101-16672</b>
2X	<b>0101-16671</b>		

**ICON HELMET SIZE CHART**

SIZE	HAT SIZE	INCHES	CENTIMETERS
XXS	6 <sup>3</sup> / <sub>8</sub> - 6 <sup>1</sup> / <sub>2</sub>	20 <sup>1</sup> / <sub>8</sub> - 20 <sup>1</sup> / <sub>2</sub>	51 - 52
XS	6 <sup>5</sup> / <sub>8</sub> - 6 <sup>3</sup> / <sub>4</sub>	20 <sup>7</sup> / <sub>8</sub> - 21 <sup>1</sup> / <sub>4</sub>	53 - 54
S	6 <sup>7</sup> / <sub>8</sub> - 7	21 <sup>5</sup> / <sub>8</sub> - 22	55 - 56
M	7 <sup>1</sup> / <sub>8</sub> - 7 <sup>1</sup> / <sub>4</sub>	22 <sup>3</sup> / <sub>8</sub> - 22 <sup>3</sup> / <sub>4</sub>	57 - 58

SIZE	HAT SIZE	INCHES	CENTIMETERS
L	7 <sup>3</sup> / <sub>8</sub> - 7 <sup>1</sup> / <sub>2</sub>	23 <sup>1</sup> / <sub>8</sub> - 23 <sup>1</sup> / <sub>2</sub>	59 - 60
XL	7 <sup>5</sup> / <sub>8</sub> - 7 <sup>3</sup> / <sub>4</sub>	24 - 24 <sup>3</sup> / <sub>8</sub>	61 - 62
2X	7 <sup>7</sup> / <sub>8</sub> - 8	24 <sup>3</sup> / <sub>4</sub> - 25 <sup>1</sup> / <sub>8</sub>	63 - 64
3X	8 <sup>1</sup> / <sub>8</sub> - 8 <sup>1</sup> / <sub>4</sub>	25 <sup>1</sup> / <sub>2</sub> - 26	65 - 66



## MISSILE TECH BICYCLE HELMET

- Outer shell is constructed using a blend of aramid fiber and fiberglass for strength and lightness
- Smooth profile is streamlined and free of any external features that might act as a load point in impact
- Surface curvature promotes reduced friction on impact, allowing deflection and the most efficient transfer to protect the rider's head
- MIPS for mitigation against the causes of brain injuries
- Unique visor release system, which ensures the mounting is held securely in place for riding over the most extreme terrain, yet provides the right level of resistance to ensure the visor detaches from the helmet in significant impact
- 22 vents for maximum airflow and ventilation
- Removable air vent on the chin for additional airflow
- Removable air filter on mouth opening for easy cleaning
- Vented chin strap for additional airflow when riding
- Wide aperture is designed to accommodate a wide variety of goggles
- ERS system for quick and safe extraction in emergency situations
- D-ring closure for a secure closure
- Hydration kit compatible
- The following standards apply to this product: tested and certified according to EN 1078:2012

SIZE (CM)	MATTE BLACK	SIZE (CM)	MATTE BLACK
S (55-56 cm)	<b>0151-0186</b>	M (57-58 cm)	<b>0151-0187</b>

SIZE (CM)	MATTE BLACK	SIZE (CM)	MATTE BLACK
L (59-60 cm)	<b>0151-0188</b>	XL (61-62 cm)	<b>0151-0189</b>



## VECTOR PRO BICYCLE HELMETS

- 19 openings for effective ventilation
- Reinforced with embedded rigid frame
- Vacuum-formed polycarbonate
- Extended side protection
- Comfort liner with quick-dry antibacterial fabric
- Replaceable inner liner pads
- Fully adjustable dial sizing system
- Quick-release chin strap buckle
- Adjustable visor for goggles
- Designed to accommodate eyewear
- The following standards apply to this product:  
tested and certified according to EN 1078:2012

SIZE	(A) ATOM MATTE BLACK/RED	(B) ATOM MATTE DARK GRAY/COOL GRAY
S (51-55 cm)	0151-0180	0151-0183
M (55-59 cm)	0151-0181	0151-0184
L (59-63 cm)	0151-0182	0151-0185



## AMP-7 BACKPACK

- Technical backpack designed for carrying all your important gear, keeping it safe, dry, and secure, both on and off the bike
- Includes a packable waist strap, chest strap with a magnetic buckle to help distribute the pack's load when worn as well as conveniently open and close one-handed with gloves, back panel comfort pads, quick access front pocket, quick access external rain cover, internal zippered mesh pockets, adjustable position removable inner pouch, and a separate padded laptop compartment
- Features an overall capacity of 22L
- Constructed from a tech fabric with structured, padded walls and lower body reinforcements to help maintain the bag's shape, as well as full, long zippered openings for easy and wide access
- Whether partially filled or completely packed, four compression straps that add extra security to the closure, stabilize the internal load, and allow the backpack to fit as comfortably and closely to the body as possible, while keeping the bag as aerodynamic as possible
- The two main shoulder straps are ergonomically shaped and padded with ventilated air holes to allow it to breathe well and fit comfortably for those long trips



- There are three convenient grab handles, to easily grab and to provide functional large anchor points to strap the bag down to the motorcycle for easier transportation

### COLOR

Black

### PART #

3517-0520



## CHARGER V2 BACKPACK

- Aerodynamically shaped, sculptured, semi-rigid main shell for maximum performance
- Durable 600D main body fabric mixed 400D Ripstop for exceptional durability
- Clamshell main compartment opening with inner gusset for ease of use
- Single auto-lock slider zipper on main compartment for a secure closure
- Adjustable harness allows riders to adapt it to their torso length for a personalized fit, thus ensuring stability and comfort
- Lite Tech Chest Harness has been designed to be used with one hand and features a quick-release magnetic center buckle for quick and easy use
- Waist belt allows riders to adapt the bag to their personal riding requirements; when worn, the belt offers greater stability
- Equipped with a front pocket at top of the main compartment for storage of essentials
- A padded laptop pocket with a closure strap, individual organizer pockets plus additional mesh pockets allow riders to quickly and easily sort and store items
- Built-in helmet carrier with color-keyed anchor point allows riders to easily and securely carry a helmet without fear of dropping it
- Rain cover included for wet weather performance
- Reflective piping
- 18L capacity
- One size

### COLOR

Black

### PART #

3517-0516



## ROVER MULTI BACKPACK

- Multi-use adventure touring backpack complete with ergonomic design for rider comfort with a robust material construction for durability, while the external access and compartments make this suitable for commuting and everyday use
- Adjustable harness system for fit, comfort and load stability
- Large and tall roll top main compartment for quick and easy access, with a removable waterproof liner
- Compression lid for security and easier packing
- Hydration pocket for rider comfort
- Expandable side pods with zippers for extra capacity
- Equipped with multiple external pockets for quick access in town
- Front large zipper pocket, side entry front panel pocket and small items pocket on the lid for storage of essential items
- Clever compression design means that if the front compartment is empty, it will flatten with the compression straps to lay flat against the main compartment
- All straps are finished with easy pull ends for ease of use, with the down loops for added security
- 32,4 L capacity

### DESCRIPTION

Rover multi backpack

### BLACK

3517-0477





### PHENOM LEATHER GLOVES

- The perfect glove for everyday use and weekend riding
- Premium soft goat leather construction palm and backhand
- Hard knuckle protection
- Stretch fourchettes and control finger flex zone
- Cuff, thumb and landing zone padding

DESCRIPTION	(A) BLACK/BLACK	(B) BLACK/WHITE	(C) BLACK/BRIGHT RED
S	3301-4522	3301-4528	3301-4534
M	3301-4523	3301-4529	3301-4535
L	3301-4524	3301-4530	3301-4536

- Side hand reinforcement
- Touchscreen compatible fingertips on the index finger and thumb for use with smart devices
- The following standards apply to this product: EN 13594:2015, Level 1 KP

DESCRIPTION	(A) BLACK/BLACK	(B) BLACK/WHITE	(C) BLACK/BRIGHT RED
XL	3301-4525	3301-4531	3301-4537
2X	3301-4526	3301-4532	3301-4538
3X	3301-4527	3301-4533	3301-4539



### STELLA PHENOM LEATHER GLOVES

- Short glove that is perfect for everyday use and weekend riding that any female rider will appreciate
- Premium soft goat leather construction on palm and backhand
- Hard knuckle protection
- Stretch fourchettes and control finger flex zone
- Cuff, thumb and landing zone padding

SIZE	(D) BLACK/BLACK	(E) BLACK/DIVA PINK
XS	3302-0908	3302-0913
S	3302-0909	3302-0914
M	3302-0910	3302-0915

- Side hand reinforcement
- Ergonomic stretch insert between palm and thumb
- Touchscreen compatible fingertips on the index finger and thumb for use with smart devices
- The following standards apply to this product: EN 13595 2015, Level 1 KP

SIZE	(D) BLACK/BLACK	(E) BLACK/DIVA PINK
L	3302-0911	3302-0916
XL	3302-0912	3302-0917



### MEN'S HOOLIGAN GLOVES

- Lightweight vented polyester mesh backhands for improved airflow
- Ax Laredo® engineered synthetic palms and overlays
- Touchscreen-enabled fingers
- Internal padded knuckles
- Secure hook-and-loop wrist closures
- Sold in pairs
- Tested and certified to EN 13594:2015 Level 1

SIZE	FLYBOY
S	3301-4709
M	3301-4710

SIZE	FLYBOY
L	3301-4711
XL	3301-4712



SIZE	FLYBOY
2X	3301-4713
3X	3301-4714




## AGROID JERSEYS

- Lightweight stretch polyester chassis is highly breathable
- New chassis design is very flexible to promote performance fit and extreme ease of movement on and off the bike
- Laser-cut vent holes for added ventilation
- Custom stretch collar for maximum comfort
- Quick-drying fabric removes moisture away from the skin to keep you dry and comfortable
- Non-restrictive stretch mini cuffs
- High-quality sublimated graphics
- See size chart on page ?? before ordering

SIZE	(A) BLUE/ORANGE	(B) GRAY/BLUE
S	2910-7488	2910-7494
M	2910-7489	2910-7495
L	2910-7490	2910-7496
XL	2910-7491	2910-7497
2X	2910-7492	2910-7498
3X	2910-7493	2910-7499

## AGROID PANTS

- New chassis design is very flexible to promote performance fit and extreme ease of movement on the bike
- Lightweight durable stretch polyester woven chassis with stretch ripstop polyester woven knee and seat
- Stretch knee area for slim fit over knee braces or guards
- Double-layer knee system with extended-length leather outer and inner knee guard panels increases durability
- Laser-cut vent holes for added ventilation
- Sublimated graphics are breathable and non-fading
- Pre-bent ergonomic pant design
- Three-point waist adjustment system allows you to fine-tune fit
- High-quality YKK® zipper

SIZE	(C) BLUE/ORANGE	(D) GRAY/BLUE
28	2901-10889	2901-10897
30	2901-10890	2901-10898
32	2901-10891	2901-10899
34	2901-10892	2901-10900
36	2901-10893	2901-10901
38	2901-10894	2901-10902
40	2901-10895	2901-10903
42	2901-10896	2901-10904

AGROID JERSEYS & PANTS continued on next page

**MIGOSE**  
RACING**AGROID JERSEYS & PANTS (CONT)****AGROID JERSEYS (CONT)**

SIZE	(A) RED/WHITE/BLUE	(B) STEALTH	(C) GRAY/YELLOW
S	2910-7500	2910-7506	2910-7512
M	2910-7501	2910-7507	2910-7513
L	2910-7502	2910-7508	2910-7514
XL	2910-7503	2910-7509	2910-7515
2X	2910-7504	2910-7510	2910-7516
3X	2910-7505	2910-7511	2910-7517

**AGROID PANTS (CONT)**

SIZE	(D) RED/WHITE/BLUE	(E) STEALTH	(F) GRAY/YELLOW
28	2901-10905	2901-10913	2901-10921
30	2901-10906	2901-10914	2901-10922
32	2901-10907	2901-10915	2901-10923
34	2901-10908	2901-10916	2901-10924
36	2901-10909	2901-10917	2901-10925
38	2901-10910	2901-10918	2901-10926
40	2901-10911	2901-10919	2901-10927
42	2901-10912	2901-10920	2901-10928



Back view



### LITE JACKET

- Main fabric constructed of cotton canvas with oxford weave
- Fabric weight: 310g/sm - 100% cotton
- 100% polyester taffeta lining
- Two front chest pockets with button closure
- Two front hand pockets with zipper closure
- Copper finished THOR branded buttons

SIZE	BLACK
S	2920-0708
M	2920-0709

SIZE	BLACK
L	2920-0710
XL	2920-0711

SIZE	BLACK
2X	2920-0712
3X	2920-0713

SIZE	BLACK
4X	2920-0714



Back view



### BICYCLE PARAGON LITE SHORT-SLEEVE JACKET

- Lightweight, flexible design provides impact and high-abrasion protection within a breathable mesh sleeve for excellent levels of airflow and comfort
- Triple-segmented back shell plate is constructed from a high-performance polymeric material blend for optimized flexibility and weight-saving properties; abrasion-resistant fabric front panel
- Back protector structure design changes from the center towards the outside, providing the perfect balance between force dispersion and energy absorption
- Unique back protector microstructure cell is designed for advanced energy absorption, adaptivity, maximum breathability and airflow
- Horizontal flexion grooves for an adaptive fit in different riding positions; PU foam chest pad provides additional coverage to the chest area

SIZE	BLACK
XS	5130-0006
S	5130-0007

SIZE	BLACK
M	5130-0008
L	5130-0009

- Interlinked cell protectors are highly perforated and secured in a mesh pocket for breathability and core cooling
- Super lightweight back protector insert is developed in three waist-to-shoulder dimensions in order to cover all body sizes
- Ergonomic protection plate contours to the natural curve of the back, ensuring optimum fit while riding
- The following standards apply to these products, back protector: EN 1621-2:2014 Level 1
- The following standards apply to these products, shoulder protectors: EN 1621-1:2012 Level 1

SIZE	BLACK
XL	5130-0010



A



B



Back view



C



### ZACA WATERPROOF JACKETS

- Underarm zippered ventilation panels for optimized levels of airflow
- Detachable thermal liner (100 g body, 80 g sleeves) and detachable hood allows the jacket to be configured according to the climate
- The Zaca Jacket is Tech-Air® ready
- Nucleon Flex Pro armor on shoulders and elbows (Nucleon chest and Nucleon back protectors available as an accessory upgrade)
- DFS Lite shoulders with dynamic friction shield on the shoulder for enhanced abrasion resistance
- An engineered sports body mapped fit and pre-curved sleeves for optimal riding performance
- Rear of the jacket is elongated for enhanced coverage when riding
- Low profile sports collar construction with soft lining for enhanced rider comfort
- Zip front closure has been engineered to be durable and easy to use
- 3L softshell stretch panels on armpit, inner arms and shoulder blades for an optimized fit and performance

- Two front zippered pockets, two chest pockets, an inner waterproof document pocket and two inner pockets on the liner for safe and secure storage of valuables
- With a main chassis constructed from a blend of 450D poly-fabric and stretch softshell for the optimal blend of comfort, durability, lightweight, with a 2L waterproof membrane for proven wet weather performance
- The following standards apply to this product: tested and certifies to EN17092 - Class A
- Available in men's sizes S-4X

SIZE	(A) BLACK/GRAY	(B) BLACK/WHITE	(C) BLACK/RED/WHITE
S	2820-6008	2820-6015	2820-6022
M	2820-6009	2820-6016	2820-6023
L	2820-6010	2820-6017	2820-6024
XL	2820-6011	2820-6018	2820-6025

SIZE	(A) BLACK/GRAY	(B) BLACK/WHITE	(C) BLACK/RED/WHITE
2X	2820-6012	2820-6019	2820-6026
3X	2820-6013	2820-6020	2820-6027
4X	2820-6014	2820-6021	2820-6028



Back view



### FUSION SHERPA FLEECE JACKET

- 70% polyester, 30% cotton
- Heavy bonded Sherpa fleece hoodie with overlay and quilt stitch on yoke, sleeves and trim
- Raglan sleeves, overlay welt pockets, hood edge and hem
- Drawcord bottom, vislon zipper and rib cuff
- Internal main label and external label branding
- Logo woven patch at chest

SIZE	HEATHER GRAY	SIZE	HEATHER GRAY
M	3050-6633	XL	3050-6635
L	3050-6634	2X	3050-6636



### AGELESS II FLEECE ZIP-FRONT HOODIE

- 80% cotton, 20% polyester, 280 gsm hooded zip-front printed fleece
- Solid zip-front body and sleeves
- Hidden coil zipper, rib at cuffs and hem, metal eyelets and dipped drawcord tips
- Front chest logo print
- Internal main label and external label branding

SIZE	CHARCOAL HEATHER/GRAY	SIZE	CHARCOAL HEATHER/GRAY
M	3050-6577	XL	3050-6579
L	3050-6578	2X	3050-6580



## REGION HOODIES

- 80% cotton, 20% polyester
- Zip hoodie, fleece body
- Front heritage inspired logo graphic, pocket 63 and sleeve logo prints
- Kangaroo pocket, jersey hood lining, dipped drawcord tips, rib cuffs and hem
- Internal main label and external label branding

SIZE	(A) BLACK	(B) HEATHER GRAY
M	3050-6609	3050-6617
L	3050-6610	3050-6618
XL	3050-6611	3050-6619
2X	3050-6612	3050-6620



## ERA PREMIUM HOODIE

- 60% recycled polyester, 40% cotton
- Recycled content zip hoodie
- Zipper hoodie with recycled content fleece
- Hoodie body with front detail and body seaming
- Mesh-lined hood
- On-seam pockets, elastic binding sleeve hem, self fabric hem with bungee adjuster
- Internal main label and external label branding
- Logo prints at chest, sleeve and back

SIZE	GRAY	SIZE	GRAY
M	3050-6605	XL	3050-6607
L	3050-6606	2X	3050-6608



### FULL FACE LONG-SLEEVE T-SHIRTS

- 100% cotton jersey
- Crew neck knit tee
- Heavy jersey fabric
- Long sleeve crew neck
- Back and chest heritage inspired competition graphic in print and embroidery
- Sleeve print
- Set-in rib collar, rib cuffs
- Internal labeling, external labeling

SIZE	(A) CHARCOAL	(B) OFF-WHITE
M	3030-23310	3030-23314
L	3030-23311	3030-23315
XL	3030-23312	3030-23316
2X	3030-23313	3030-23317



### HERITAGE LOGO T-SHIRTS

- 100% cotton classic printed tee
- Front Heritage Word logo; soft hand print
- Internal neck print, external labeling

SIZE	(C) BLACK/WHITE	(D) MILITARY GREEN/GOLD
S	3030-22982	3030-22987
M	3030-22983	3030-22988
L	3030-22984	3030-22989
XL	3030-22985	3030-22990
2X	3030-22986	3030-22991

### LOS ANGELES T-SHIRTS

- 100% combed ring-spun cotton
- Classic printed tee
- Ageless logo Los Angeles athletic font graphic
- Soft hand print
- Internal neck print, external labeling

SIZE	(E) BLACK	(F) NAVY
M	3030-23346	3030-23350
L	3030-23347	3030-23351
XL	3030-23348	3030-23352
2XL	3030-23349	3030-23353





## RT-7 DRYSTAR® BOOTS

- Protective touring boot engineered for superior comfort on and off the bike
- Lateral side entry system with an elastic mounted zipper and a wide hook-and-loop flap for convenience and a precise, secure fit
- Drystar® membrane for proven performance in wet weather conditions
- New dynamic design shift pad in 3D print PU technology for effective upper foot protection
- Internal toe box and heel counter protection is layered under the upper for durability, improved feel and performance
- Rear puller for easy entry/exit
- Sole constructed with lightweight rubber compound for excellent grip on the pegs
- Removable anatomic EVA footbed with Lycra® lining on top for comfort
- Main upper material constructed with high abrasion textile with reflective dots for enhanced flexibility
- Shin plate and medial side constructed with microfiber and textile with reflective dots for enhanced durability and abrasion resistance
- Front and rear bellow constructed with a combination of textile material and soft lightweight stretch PU for enhanced rear flexion and comfort
- Double density ankle disk protection is mounted under the leather on the lateral and medial side for impact protection in a key area
- Internal shin plate reinforcement for enhanced shin protection
- Soft PU on the lateral side provides additional lateral protection
- The following standards apply to this product: EN13634:2017
- Available in men's sizes 38-48

SIZE	BLACK/RED	SIZE	BLACK/RED	SIZE	BLACK/RED	SIZE	BLACK/RED	SIZE	BLACK/RED	SIZE	BLACK/RED
38	3404-1665	40	3404-1667	42	3404-1669	44	3404-1671	46	3404-1673	48	3404-1675
39	3404-1666	41	3404-1668	43	3404-1670	45	3404-1672	47	3404-1674		



### TECH 3 BOOTS

- Upper boot is made from innovative, lightweight microfiber material that is flexible and lightweight
- Light microfiber on front and rear bellows for more comfort in flexible areas
- Toe box is made of synthetic material for high abrasion resistance
- Extended PU synthetic gaiter helps seal out water and dirt
- Contoured TPU calf plate, TPU higher medial plate, TPU outer lateral ankle guard and TPU heel counter provide support and resistance to impacts
- Rear TPU gaiter patch applied on the top of the TPU calf protector for added impact resistance and comfort on the rear flex zone
- Injected TPU shin plate connected to the TPU medial panel
- Hook-and-loop upper boot closure with TPR flap for a custom fit and support
- TPU higher medial guard is designed with a technical texture for improved grip
- Biomechanical medial blade system allows a good front/rear flex to provide support and impact resistance to the ankle
- Ergonomic TPU triple buckle straps wrap harmoniously from the front flex medial protector to the lateral side without compromising the flex of the boot
- Closure system includes three polymer buckles with ratchet memory and a quick-release/locking system with self-aligning design for easy, precise closure; buckles are replaceable
- Innovative one-piece TPU injected dual-compound foot shell is reinforced with a metal shank inside an injected toe reinforcement
- Soft foam surrounds the ankle and boot collar for comfort and shock-absorbing performance
- Boot lining is textile for added comfort
- Replaceable EVA footbed with a textile lining on top
- Exclusive high-grip rubber sole compound replaceable outsole
- The following standards apply to this product: EN 13634:2017
- Available in men's sizes 7-14

SIZE	GRAY/DARK GRAY/BLACK
7	<b>3410-3049</b>
8	<b>3410-3050</b>

SIZE	GRAY/DARK GRAY/BLACK
9	<b>3410-3051</b>
10	<b>3410-3052</b>

SIZE	GRAY/DARK GRAY/BLACK
11	<b>3410-3053</b>
12	<b>3410-3054</b>

SIZE	GRAY/DARK GRAY/BLACK
13	<b>3410-3055</b>
14	<b>3410-3056</b>



## TECH 3 ENDURO BOOTS

- Boot upper construction is an innovative, lightweight microfiber material that is flexible and abrasion-resistant
- Light microfiber on front and rear bellows provides a more comfortable flex area
- Toe box is made of synthetic material for high abrasion resistance
- Extended PU synthetic gaiter helps seal out water and dirt
- Contoured TPU calf guard, TPU higher medial guard, TPU outer lateral ankle guard and TPU heel counter for support and resistance to impacts
- Rear TPU gaiter patch applied on the top of the TPU calf protector for comfort and impact resistance on the rear flex area
- Injected TPU shin plate is connected with the TPU medial guard panel
- Hook-and-loop upper boot closure with TR flap that provides a wide range of fit and support
- TPU higher medial protector designed with technical texturing for improved grip
- Biomechanical medial blade system allows good front/rear boot flex and added support and impact resistance for the ankle
- Ergonomic TPU triple buckle straps wrap smoothly from the front flex and medial guard to the lateral side of the boot without compromising the boot's flexibility
- Closure system uses three polymer buckles with ratchet closure, buckle memory system and quick-release/locking system with a self-aligning design
- All boot buckles are replaceable
- One-piece TPU injected dual-compound foot shell is reinforced by a metal shank inside a co-injected toe reinforcement
- Soft foam surrounds the ankles and boot collar for comfort and shock-absorbing performance
- Entire boot is textile lined for comfort
- Replaceable EVA footbed with textile top lining
- Alpinestars all-terrain sole design with high-grip rubber compounds; sole is replaceable
- The following standards apply to this product: EN 13634:2017
- Available in men's sizes 7-14

SIZE	BLACK/WHITE DRYSTAR®
7	<b>3410-3057</b>
8	<b>3410-3058</b>

SIZE	BLACK/WHITE DRYSTAR®
9	<b>3410-3059</b>
10	<b>3410-3060</b>

SIZE	BLACK/WHITE DRYSTAR®
11	<b>3410-3061</b>
12	<b>3410-3062</b>

SIZE	BLACK/WHITE DRYSTAR®
13	<b>3410-3063</b>
14	<b>3410-3064</b>



## TECH 5 BOOTS

- Upper constructed from innovative and lightweight microfiber material with action leather on toe box
- Redesigned instep and Achilles accordion flex zones
- Contoured TPU calf protector plate, TPU higher medial protector and TPU outer lateral ankle
- Injected TPU shin plate connected with the TPU medial protector panel
- Hook-and-loop upper closure and TPR flap for broad-ranging calf fit adjustment and support
- TPU higher medial protector is designed with technical texture for improved grip
- Biomechanical pivot
- Ergonomic TPU triple buckle straps
- Incorporates innovative one-piece TPU injected dual-compound foot shell, reinforced by a metal shank inside and co-injected toe reinforcement
- TPU heel patch connected with shell and lateral/medial TPU sections
- Extended PU synthetic gaiter helps seal out excessive water and dirt entry
- Soft poly foam surrounds the ankles and collar
- Full inner textile lining
- Closure system includes four polymer buckles with an innovative closure system that includes a ratchet with memory and a quick-release/locking system with self-aligning design for precise closure; all buckles are replaceable
- Replaceable anatomic EVA footbed with textile lining on top
- Exclusive high-grip rubber compound outsole
- Sole is replaceable
- The following standards apply to this product: EN 13634:2017
- Available in men's sizes listed

SIZE	RED/BLUE	SIZE	RED/BLUE	SIZE	RED/BLUE	SIZE	RED/BLUE
7	3410-3065	9	3410-3067	11	3410-3069	13	3410-3071
8	3410-3066	10	3410-3068	12	3410-3070	14	3410-3072



## TECH 7 BOOTS

- Upper is constructed from a light microfiber that provides flexibility and abrasion resistance
- TPU shin-plate construction and a reinforced hook-and-loop closure offers for comfortable, highly customized fits
- TPU blade system provides flexibility while helping prevent frontal hyperextension
- Wide entry aperture and a hook-and-loop upper closure TPR flap allows for a broad range of calf-fit adjustments for comfort and support
- Single-piece TPU panel with honeycomb sculpturing for maximum grip contact with bike and improved heat and abrasion resistance on the medial facing area
- Top rear flexion of the boot is supported around the calf by an innovative TPU sliding blade system helps to dissipate friction
- Ergonomic buckle system offers secure and highly personalized fit
- Innovative TPU lateral ankle protection provides biomechanical link between the middle lateral and the bottom lateral of the boot

SIZE	(A) PURPLE/WHITE	(B) BLUE/RED/NAVY
7	3410-3015	3410-3023
8	3410-3016	3410-3024
9	3410-3017	3410-3025
10	3410-3018	3410-3026

- Instep and Achilles accordion flex zones for superior support and control
- Toes protected by metal shank-reinforced TPU shell
- Microfiber gaiter helps keep out water and dirt
- Polymer buckles with aluminum frames provide self-aligning, quick-release closures for personalized fits
- Breathable mesh 3D liner with anti-sliding microfiber suede reinforcement in the heel
- Shock absorbing soft poly-foam surrounds around ankles and collar
- Removable anatomic footbed
- High-grip, double-density rubber outer sole
- Replaceable sole
- The following standards apply to this product: EN 13634:2017
- Available in men's sizes 7-14

SIZE	(A) PURPLE/WHITE	(B) BLUE/RED/NAVY
11	3410-3019	3410-3027
12	3410-3020	3410-3028
13	3410-3021	3410-3029
14	3410-3022	3410-3030



## TECH 7 ENDURO BOOTS

- Upper is constructed from light, innovative microfiber that is flexible and abrasion resistant
- Innovative, evolutionary TPU shin plate construction for a greater range of fitment
- Shin plate features a reinforced hook-and-loop closure for a comfortable, customized fit
- Shin zone incorporates a TPU blade system engineered to prevent frontal hyperextension and offer greater flex control
- Specially designed sole provides enduro riders with superior grip, durability, feel and a high level of structural rigidity
- Wide entry aperture for convenience with a hook-and-loop upper closure with TPU flap to allow a wide range of calf fitment adjustment and support
- Medial-facing area is constructed from one-piece TPU panel with a honeycomb structure for maximum grip contact with the bike and improved heat- and abrasion-resistance
- Top rear flexion of the boot is supported around the calf by an innovative TPU sliding blade system which dissipates the friction
- Ergonomic buckle system offers a secure and highly personalized fit
- Innovative TPU lateral ankle protection provides a biomechanical link between the middle lateral and the bottom lateral of the boot
- Instep and Achilles accordion flex zones constructed for superior control and support
- TPU lower shell is reinforced with a metal shank and includes toe reinforcement for impact and abrasion resistance
- Extended microfiber gaiter helps seal out water and dirt
- Closure system includes polymer buckles plus an aluminum frame with innovative, self-aligning quick-release closures for a custom, secure fit
- All buckles are replaceable
- Breathable mesh 3D liner with anti-sliding microfiber suede reinforcement on the heel area
- Soft poly-foam surrounds the ankles and collar to offer comfort and shock-absorbing performance
- Removable anatomic footbed
- Exclusive high-grip rubber dual-density compound outer sole
- Sole is replaceable
- The following standards apply to this product: EN13634:2017
- Available in men's sizes listed

SIZE	(A) GRAY/RED	(B) NAVY/GRAY	SIZE	(A) GRAY/RED	(B) NAVY/GRAY	SIZE	(A) GRAY/RED	(B) NAVY/GRAY
5	3410-3031	-	9	3410-3035	3410-3043	13	3410-3039	3410-3047
6	3410-3032	-	10	3410-3036	3410-3044	14	3410-3040	3410-3048
7	3410-3033	3410-3041	11	3410-3037	3410-3045			
8	3410-3034	3410-3042	12	3410-3038	3410-3046			



## TECH 10 BOOTS

- Combine dual front and rear blade connectors
- Provide a complete and seamless flexion control system, from the foot shell all the way up to the shin plate
- Engineered to 'float' freely between the lower and upper boot construction
- Asymmetrical, dual pivot arms on boot frame
- A unique feature is the ankle control system developed in the outer shell construction, allowing natural ankle movement, vertical compression control and improved impact protection
- Asymmetrical medial and lateral double pivot system for improved levels of flexibility and precision for both independent and synchronized movement
- Redesigned dual-density TPU rear blade system engineered to prevent hyperextension while offering improved flex control and impact resistance
- Dynamic Heel Compression Protector (DHCP), an innovative safety feature which includes a fully integrated collapsible heel area with expanded poly-foam to absorb high impact energies during a crash
- Features lighter, anatomically redesigned medial and lateral torsion arms
- Double pivot system allows the Tech 10 to retain its integrity while flexing
- Low-profile, pull-on design for reduce material build, less weight and to facilitate easier and quicker wearing
- Innovative flexion inserts work seamlessly with new flex support system for ultimate in performance
- TPU protection and shock absorbing padding on the heel and ankles

SIZE	(A) PURPLE/BLACK	(B) YELLOW/BLACK/RED
7	3410-2991	3410-2999
8	3410-2992	3410-3000
9	3410-2993	3410-3001
10	3410-2994	3410-3002

- Constructed from a dual-density compound and combined with the rear blade system
- Energy dissipating shin plate features a new anatomic design for reduced surface area and weight-saving
- Completely redesigned sole with proprietary grip sculpturing to improve footpeg performance, grip and mud and water run-off
- Exclusive dual-compound sole is seamlessly integrated to the multi-density foot base structure with built-in support
- Slim-line buckles include high-impact bridge closures which are cold forged for precision and strength
- Closure system features contra-closure, doubling closure security and a quick release/locking system with self-aligning, memory design for easy, precise closure and improved riding performance and security
- Soles and buckles are easily replaceable
- Chassis combines advanced lightweight microfiber and impact and abrasion resistant TPU shell
- Foot shell features five different compounds in a single lightweight piece to offer strength while maintaining flexibility and structural integrity
- Soft microfiber gaiter helps seal out excessive water and dirt entry
- Poly-fabric lining with 3D open cell foam incorporates anti-slip suede in heel area, keeping the foot located inside the boot
- The following standards apply to this product: EN 13634:2017
- Available in men's sizes listed

SIZE	(A) PURPLE/BLACK	(B) YELLOW/BLACK/RED
11	3410-2995	3410-3003
12	3410-2996	3410-3004
13	3410-2997	3410-3005
14	3410-2998	3410-3006



## TECH 10 SUPERVENTED BOOTS

- Construction uses a highly breathable, perforated microfiber
- TPU feature is combined with ventilation zones and a new airflow system sole for breathability and superior ventilation
- Two large inlet ports on front of boot with exhausts at back for optimized levels of airflow and heat exchange
- Co-injected for strength and structure, the exclusive TPU and rubber compound panels provide superb levels of grip contact, durability and heat-resistance
- The contoured calf protector ergonomically wraps around the rear leg and is constructed from a dual density compound rear blade system to offer progressive dampening of excessive torsional forces
- Shin plate features a new anatomic design for reduced surface area and weight-saving
- Completely redesigned sole with proprietary grip sculpturing to improve footpeg performance, grip and mud and water run-off
- Exclusive dual compound sole is seamlessly integrated to the multi-density foot base structure with built-in support
- The sole offers superior durability, grip and feel while riding, and improved performance on the shifter
- Innovative, lightweight upper combines advanced lightweight microfiber with an impact- and abrasion-resistant TPU shell
- The foot shell features five different compounds in a single lightweight piece to offer strength while maintaining flexibility and structural integrity
- The foot shell incorporates heel and toe protection and is highly resistant against abrasion and impact while adding to the boot's overall durability
- The foot shell also includes an integrated shank for support and structural integrity
- Frontal protection features a dual closure system with an internal microfiber flap, plus hook-and-loop fasteners for a precise fit closure attached securely with a micro-adjustable, easy to operate, lightweight buckle
- The shin incorporates a unique TPU blade system engineered to prevent frontal hyperextension and offer greater flex control
- Soft microfiber gaiter helps seal out excessive water and dirt entry, while the 3D mesh lining ensures improved air circulation and comfort
- 3D mesh lining incorporates anti-sliding suede on heel area to keep the foot located inside the boot
- Highly ventilated perforated padding for optimized ventilation and airflow
- Perforated footbed for additional cooling
- The central sole insert features a micro grip and side hooking grip design
- It is easily replaceable and Alpinestars offers a full sole replacement and boot repair service
- Inner boot has a mesh construction for optimal levels of airflow
- Anatomically optimized for weight-saving and ergonomics, the new mechanical buckle closure system features a nylon and fiberglass compound for improved durability and strength



- The new slim-line buckle closure system includes high-impact bridge closures which are cold forged for precision and strength
- The buckle closure system features a memory and a quick-release/locking system with self-aligning design for easy, precise closure and improved riding performance and security
- All buckles are easily replaceable
- Air vents on the PU lateral calf plus breathable mesh insert improve comfort and reduce fatigue on short and long rides
- Alpinestars Dynamic Heel Compression Protector (DHCP), an innovative safety feature which includes a fully integrated collapsible heel area with expanded polyfoam to absorb high impact energies during a crash
- New performance double pivot motion control system feature
- Medial and lateral double pivot system for improved levels of flexibility and precision control
- Engineered bi-density front flexion control is strategically positioned over the mesh area, combined with a dual front blade system and shock absorber insert to offer mechanical progressive force release to dampen and absorb impact energies
- Redesigned dual density TPU rear blade system is engineered to prevent hyperextension while offering improved flex control and impact resistance
- Evolutionary new shin plate design with ventilation windows strategically positioned to allow more ventilation without compromising the impact protection
- 3D higher spring insole creates an effective cooling system using air channels within the sole for optimal levels of ventilation, while also creating a cushioning effect for enhanced levels of comfort
- The following standards apply to this product: EN 13634: 2017
- Available in men's sizes 7-14

SIZE	RAINBOW	SIZE	RAINBOW
7	3410-3007	9	3410-3009
8	3410-3008	10	3410-3010

SIZE	RAINBOW	SIZE	RAINBOW
11	3410-3011	13	3410-3013
12	3410-3012	14	3410-3014





A



B



C



## BLITZ XR BOOTS

- Padded mesh interior improves breathability
- Injection molded positive lock buckles
- Injection molded medial abrasion plate with integrated shift protection
- Contoured gaiter for increased mobility and comfort
- Custom molded lugged outsole with a steel shank insert
- Tested and certified according to standard EN 13634:2017

### XRS LTD

SIZE	(A) BLACK/GRAY
Europe 39 (USA 7)	<b>3410-3148</b>
Europe 41 (USA 8)	<b>3410-3149</b>
Europe 43 (USA 9)	<b>3410-3150</b>
Europe 44 (USA 10)	<b>3410-3151</b>
Europe 45 (USA 11)	<b>3410-3152</b>
Europe 46 (USA 12)	<b>3410-3153</b>
Europe 47 (USA 13)	<b>3410-3154</b>
Europe 48 (USA 14)	<b>3410-3155</b>

### XR TRAIL

SIZE	(B) BLACK/GRAY
Europe 39 (USA 7)	<b>3410-3127</b>
Europe 41 (USA 8)	<b>3410-3128</b>
Europe 43 (USA 9)	<b>3410-3129</b>
Europe 44 (USA 10)	<b>3410-3130</b>
Europe 45 (USA 11)	<b>3410-3131</b>
Europe 46 (USA 12)	<b>3410-3132</b>
Europe 47 (USA 13)	<b>3410-3133</b>
Europe 48 (USA 14)	<b>3410-3134</b>
Europe 49 (USA 15)	<b>3410-3135</b>

### XR

SIZE	(C) BLACK/WHITE
Europe 39 (USA 7)	<b>3410-3073</b>
Europe 41 (USA 8)	<b>3410-3074</b>
Europe 43 (USA 9)	<b>3410-3075</b>
Europe 44 (USA 10)	<b>3410-3076</b>
Europe 45 (USA 11)	<b>3410-3077</b>
Europe 46 (USA 12)	<b>3410-3078</b>
Europe 47 (USA 13)	<b>3410-3079</b>
Europe 48 (USA 14)	<b>3410-3080</b>
Europe 49 (USA 15)	<b>3410-3081</b>

BLITZ XR BOOTS continued on next page

**THOR** BLITZ XR BOOTS (CONT)

**XR (CONT)**

SIZE	(A) BLUE/BLACK	(B) GRAY/CHARCOAL	(C) WHITE/BLACK	(D) RED/CHARCOAL	(E) ACID/BLACK
Europe 39 (USA 7)	3410-3082	3410-3091	3410-3100	3410-3109	3410-3118
Europe 41 (USA 8)	3410-3083	3410-3092	3410-3101	3410-3110	3410-3119
Europe 43 (USA 9)	3410-3084	3410-3093	3410-3102	3410-3111	3410-3120
Europe 44 (USA 10)	3410-3085	3410-3094	3410-3103	3410-3112	3410-3121
Europe 45 (USA 11)	3410-3086	3410-3095	3410-3104	3410-3113	3410-3122
Europe 46 (USA 12)	3410-3087	3410-3096	3410-3105	3410-3114	3410-3123
Europe 47 (USA 13)	3410-3088	3410-3097	3410-3106	3410-3115	3410-3124
Europe 48 (USA 14)	3410-3089	3410-3098	3410-3107	3410-3116	3410-3125
Europe 49 (USA 15)	3410-3090	3410-3099	3410-3108	3410-3117	3410-3126



### WOMEN'S BLITZ XR BOOTS

- Padded mesh interior improves breathability
- Injection molded positive lock buckles
- Injection molded medial abrasion plate with integrated shift protection
- Contoured gaiter for increased mobility and comfort
- Custom molded lugged outsole with a steel shank insert
- Tested and certified according to standard EN 13634:2017

SIZE	(A) WHITE/BLACK	(B) BLACK/GRAY
Europe 35-36 (USA 5)	<b>3410-3136</b>	<b>3410-3142</b>
Europe 36-37 (USA 6)	<b>3410-3137</b>	<b>3410-3143</b>
Europe 37-38 (USA 7)	<b>3410-3138</b>	<b>3410-3144</b>

SIZE	(A) WHITE/BLACK	(B) BLACK/GRAY
Europe 38-39 (USA 8)	<b>3410-3139</b>	<b>3410-3145</b>
Europe 39-40 (USA 9)	<b>3410-3140</b>	<b>3410-3146</b>
Europe 40-41 (USA 10)	<b>3410-3141</b>	<b>3410-3147</b>



### TECH 10 BOOT KEYFOBS

- Three-dimensional rendition of the iconic Tech 10 Boot
- Metal snap ring
- 100% polyurethane



COLOR	PART #
(C) Red	<b>9905-0206</b>

COLOR	PART #
(D) Black	<b>9905-0207</b>



**GLOBAL SNAPBACK HATS**

- Six-panel, classic fit flat bill snapback with woven patch
- One size fits most

COLOR	PART #	COLOR	PART #
(A) Navy	2501-4153	(B) Camo	2501-4154

**BUILT SNAPBACK HATS**

- Six-panel, classic fit flat bill snapback with woven patch
- One size fits most

COLOR	PART #	COLOR	PART #
(C) Army	2501-4157	(D) Charcoal	2501-4158



**SECTION SNAPBACK HATS**

- Six-panel, classic fit flat bill snapback with woven patch
- One size fits most

COLOR	BLACK	COLOR	BLACK
(E) Black	2501-4151	(F) Navy	2501-4152

**SEGMENT SNAPBACK HATS**

- Six-panel, classic fit flat bill snapback with woven patch
- One size fits most

COLOR	BLACK/GRAY	COLOR	BLACK/GRAY
(G) Black/gray	2501-4159	(H) Navy/red	2501-4160



**CALIBER SNAPBACK HATS**

- Six-panel, classic fit flat bill snapback with woven patch
- One size fits most

COLOR	PART #	COLOR	PART #
(I) Gray/yellow	2501-4155	(J) Black/gray	2501-4156



**LANYARD**

- Unobtrusive lanyard
- Features sublimated nylon leash and metal fastening hook at one end to hold keys or an all-access pass

DESCRIPTION	PART #
Black/gray	9501-0284