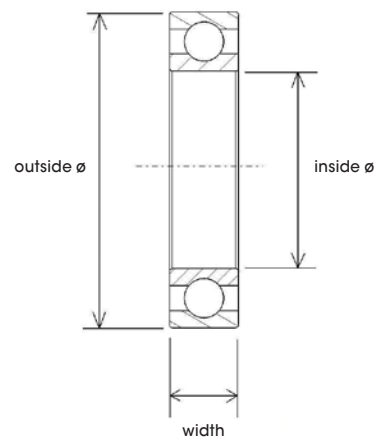




PRODUCT INFORMATION

Bicycle Bearings, E-Motor Service Kits & Tools





B3 Bearings

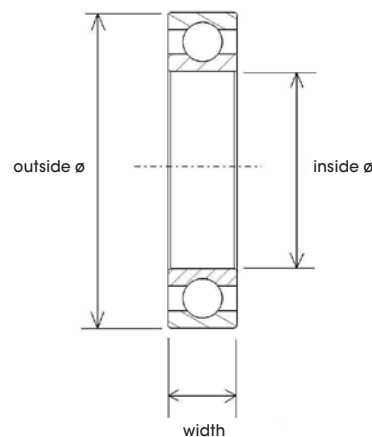
- High-end bearings for sports
- Black bearings B3 are steel balls, they are mounted original by the vast majority of cycle manufacturers (frames, wheels, pedals...), urban sport (Roller, scooters, Skate, BMX...), motorcycle, quad, model...
- The bearings of the B3 range are manufactured in the largest factories, they have been selected for their reliability, efficiency and quality / price ratio
- A replacement bearing compatible with your original bearings

Technical characteristics:

- High-end steel
- 2RS seals, Waterproof and dust sealing
- Quality fat
- Quality marbles

DESCRIPTION	INSIDE DIAMETER (IN MM)	OUTSIDE DIAMETER (IN MM)	WIDTH (IN MM)	PART #
MR104-2RS - 4 x 10 x 4 mm	4	10	4	4950-0176
605-2RS - 5 x 14 x 5 mm	5	14	5	4950-0122
685-2RS - 5 x 11 x 5 mm	5	11	5	4950-0158
695-2RS - 5 x 13 x 4 mm	5	13	4	4950-0170
MR105-2RS - 5 x 10 x 4 mm	5	10	4	4950-0177
606-2RS - 6 x 17 x 6 mm	6	17	6	4950-0123
626-2RS - 6 x 19 x 6 mm	6	19	6	4950-0131
686-2RS - 6 x 13 x 5 mm	6	13	5	4950-0159
696-2RS - 6 x 15 x 5 mm	6	15	5	4950-0171
MR616-2RS - 6 x 16 x 5 mm	6	16	5	4950-0202
R4-2RS - 6,35 x 15,88 x 4,98 mm	6,35	15,88	4,98	4950-0206
607-2RS - 7 x 19 x 6 mm	7	19	6	4950-0124
627-2RS - 7 x 22 x 7 mm	7	22	7	4950-0132
MR137-2RS - 7 x 13 x 4 mm	7	13	4	4950-0179
608-2RS - 8 x 22 x 7 mm	8	22	7	4950-0126
628-2RS - 8 x 24 x 8 mm	8	24	8	4950-0133
688-2RS - 8 x 16 x 5 mm	8	16	5	4950-0160
698-2RS - 8 x 19 x 6 mm	8	19	6	4950-0172
608/9-2RS - 9 x 22 x 7 mm	9	22	7	4950-0125
609-2RS - 9 x 24 x 7 mm	9	24	7	4950-0127
629-2RS - 9 x 26 x 8 mm	9	26	8	4950-0134
689/4-2RS - 9 x 17 x 4 mm	9	17	4	4950-0161
689-2RS - 9 x 17 x 5 mm	9	17	5	4950-0162
699-2RS - 9 x 20 x 6 mm	9	20	6	4950-0173
R6-2RS - 9,53 x 22,23 x 7,14 mm	9,53	22,23	7,14	4950-0207
16100-2RS - 10 x 28 x 8 mm	10	28	8	4950-0106
3800-2RS - 10 x 19 x 7 mm	10	19	7	4950-0109
6000-2RS - 10 x 26 x 8 mm	10	26	8	4950-0114
6200-2RS - 10 x 30 x 9 mm	10	30	9	4950-0128
63800-2RS - 10 x 19 x 7 mm	10	19	7	4950-0135
6700-2RS - 10 x 15 x 4 mm	10	15	4	4950-0138
DR6700-2RS - 10 x 16 x 8 mm	10	16	8	4950-0139
6800-2RS - 10 x 19 x 5 mm	10	19	5	4950-0148
6900-2RS - 10 x 22 x 6 mm	10	22	6	4950-0163
16001-2RS - 12 x 28 x 7 mm	12	28	7	4950-0104
3801-2RS - 12 x 21 x 8 mm	12	21	8	4950-0110
6001-2RS - 12 x 28 x 8 mm	12	28	8	4950-0115
6201-2RS - 12 x 32 x 10 mm	12	32	10	4950-0129
63801-2RS - 12 x 21 x 7 mm	12	21	7	4950-0136
6701-2RS - 12 x 18 x 4 mm	12	18	4	4950-0140
6801-2RS - 12 x 21 x 5 mm	12	21	5	4950-0149
6901-2RS - 12 x 24 x 6 mm	12	24	6	4950-0164
MR12268-2RS - 12 x 26 x 8 mm	12	26	8	4950-0178
1212-2RS - 12,7 x 19,05 x 3,97 mm	12,7	19,05	3,97	4950-0103
R1212-2RS - 12,7 x 19,05 x 3,97 mm	12,7	19,05	3,97	4950-0203
R8-2RS - 12,7 x 28,58 x 7,94 mm	12,7	28,58	7,94	4950-0208
MR14245-2RS - 14 x 24 x 5 mm	14	24	5	4950-0180

DESCRIPTION	INSIDE DIAMETER (IN MM)	OUTSIDE DIAMETER (IN MM)	WIDTH (IN MM)	PART #
16002-2RS - 15 x 32 x 8 mm	15	32	8	4950-0105
3002-2RS - 15 x 32 x 13 mm	15	32	13	4950-0107
3802-2RS - 15 x 24 x 7 mm	15	24	7	4950-0111
6002-2RS - 15 x 32 x 9 mm	15	32	9	4950-0116
6202-2RS - 15 x 35 x 11 mm	15	35	11	4950-0130
6702-2RS - 15 x 21 x 4 mm	15	21	4	4950-0141
6802-2RS - 15 x 24 x 5 mm	15	24	5	4950-0150
6902-2RS - 15 x 28 x 7 mm	15	28	7	4950-0165
MR15268-2RS - 15 x 26 x 8 mm	15	26	8	4950-0181
MR152610-2RS - 15 x 26 x 10 mm	15	26	10	4950-0182
MR16277-2RS - 16 x 27 x 7 mm	16	27	7	4950-0183
MR16287-2RS - 16 x 28 x 7 mm	16	28	7	4950-0184
MR163110-2RS - 16 x 31 x 10 mm	16	31	10	4950-0185
MR163511-2RS - 16 x 35 x 11 mm	16	35	11	4950-0186
3803-2RS - 17 x 26 x 10 mm	17	26	10	4950-0112
6003-2RS - 17 x 35 x 10 mm	17	35	10	4950-0117
63803-2RS - 17 x 26 x 7 mm	17	26	7	4950-0137
6703-2RS - 17 x 23 x 4 mm	17	23	4	4950-0142
6803-2RS - 17 x 26 x 5 mm	17	26	5	4950-0151
6903-2RS - 17 x 30 x 7 mm	17	30	7	4950-0166
MR17289-2RS - 17 x 28 x 9 mm	17	28	9	4950-0187
MR173010-2RS - 17 x 30 x 10 mm	17	30	10	4950-0188
MR173110-2RS - 17 x 31 x 10 mm	17	31	10	4950-0189
MR18287-2RS - 18 x 28 x 7 mm	18	28	7	4950-0190
MR19285-2RS - 19 x 28 x 5 mm	19	28	5	4950-0192
MR19327 - 19 x 32 x 7 mm	19	32	7	4950-0193
MR190537-2RS - 19,05 x 37 x 9 mm	19,05	37	9	4950-0191
R12-2RS - 19,05 x 41,28 x 11,11 mm	19,05	41,28	11,11	4950-0204
6004-2RS - 20 x 42 x 12 mm	20	42	12	4950-0118
6704-2RS - 20 x 27 x 4 mm	20	27	4	4950-0143
6804-2RS - 20 x 32 x 7 mm	20	32	7	4950-0152
6904-2RS - 20 x 37 x 9 mm	20	37	9	4950-0167
MR203013-2RS - 20 x 30 x 13 mm	20	30	13	4950-0194
6904-2rs/21,5 - 21,5 x 37 x 9 mm	21,5	37	9	4950-0119
6004-2RS/21,5 - 21,5 x 42 x 12 mm	21,5	42	12	4950-0120
MR22317-2RS - 22 x 31 x 7 mm	22	31	7	4950-0195
R12/22-2RS - 22 x 41,28 x 11,11 mm	22	41,28	11,11	4950-0205
MR23327-2RS - 23 x 32 x 7 mm	23	32	7	4950-0196
MR24378-2RS - 24 x 37 x 8 mm	24	37	8	4950-0198
MR240737-2RS - 24,07 x 37 x 7 mm	24,07	37	7	4950-0197
6005-2RS - 25 x 47 x 12 mm	25	47	12	4950-0121
6705-2RS - 25 x 32 x 4 mm	25	32	4	4950-0144
6805-2RS - 25 x 37 x 7 mm	25	37	7	4950-0153
6805W6-2RS - 25 x 37 x 6 mm	25	37	6	4950-0154
6905-2RS - 25 x 42 x 9 mm	25	42	9	4950-0168
7805-2RS - 25 x 37 x 7 mm	25	37	7	4950-0174
MR27537-2RS - 27,5 x 37 x 7 mm	27,5	37	7	4950-0199
3806-2RS - 30 x 42 x 10 mm	30	42	10	4950-0113
6706-2RS - 30 x 37 x 4 mm	30	37	4	4950-0145
6906-2RS - 30 x 47 x 9 mm	30	47	9	4950-0169
MR30407-2RS - 30 x 40 x 7 mm	30	40	7	4950-0200
31437-2RS - 31 x 43 x 7 mm	31	43	7	4950-0108
MR314357-2RS - 31 x 43,5 x 7 mm	31	43,5	7	4950-0201
6708-2RS - 40 x 50 x 6 mm	40	50	6	4950-0146
6808-2RS - 40 x 52 x 7 mm	40	52	7	4950-0155
6809-2RS - 45 x 58 x 7 mm	45	58	7	4950-0156
6710-2RS - 50 x 62 x 6 mm	50	62	6	4950-0147
6810-2RS - 50 x 65 x 7 mm	50	65	7	4950-0157



B5 Bearings

- The reference of bearings for sport
- The BLACK BEARING B5 range of bearings is specifically designed for the cycle (frames, wheels, pedals...), urban sports (Roller, Skate, BMX...), motorcycle, quad, Karting, model making...
- Made in Europe or Japan, the B5 range has been developed and optimised to withstand the most extreme conditions of use
- Each of the components (steel, lubricant, grease...) is selected and assembled with precision
- Constant quality control throughout their production ensures bearings that meet the highest quality standards
- A Black Bearing is synonymous with Reliability, Fluidity, Efficiency, Rigidity...
- An excellent replacement bearing compatible with your original bearings

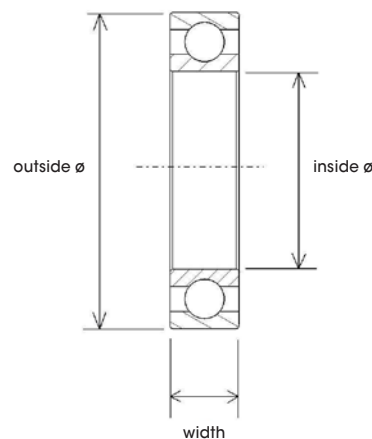
Technical characteristics:

- Steel (standard)
- 2RS seals: Labyrinth joints with double lip of the latest generation. Better resistance to water and dust, combined with low friction
- Rectified running tracks for better fluidity and longer service life
- Superior quality lubricant
- High quality of the marbles, label "abec 5"
- Holds balls by metal cage

DESCRIPTION	INSIDE DIAMETER (IN MM)	OUTSIDE DIAMETER (IN MM)	WIDTH (IN MM)	PART #
R2-2RS - 3,18 x 9,53 x 3,97 mm	3,18	9,53	3,97	4950-0306
605-2RS - 5 x 14 x 5 mm	5	14	5	4950-0256
685-2RS - 5 x 11 x 5 mm	5	11	5	4950-0290
695-2RS - 5 x 13 x 4 mm	5	13	4	4950-0301
606-2RS - 6 x 17 x 6 mm	6	17	6	4950-0257
626-2RS - 6 x 19 x 6 mm	6	19	6	4950-0266
686-2RS - 6 x 13 x 5 mm	6	13	5	4950-0291
696-2RS - 6 x 15 x 5 mm	6	15	5	4950-0302
R4-2RS - 6,35 x 15,88 x 4,98 mm	6,35	15,88	4,98	4950-0307
607-2RS - 7 x 19 x 6 mm	7	19	6	4950-0258
627-2RS - 7 x 22 x 7 mm	7	22	7	4950-0267
608-2RS - 8 x 22 x 7 mm	8	22	7	4950-0259
628-2RS - 8 x 24 x 8 mm	8	24	8	4950-0268
688-2RS - 8 x 16 x 5 mm	8	16	5	4950-0292
698-2RS - 8 x 19 x 6 mm	8	19	6	4950-0303
609-2RS - 9 x 24 x 7 mm	9	24	7	4950-0260
629-2RS - 9 x 26 x 8 mm	9	26	8	4950-0269
689-2RS - 9 x 17 x 5 mm	9	17	5	4950-0293
699-2RS - 9 x 20 x 6 mm	9	20	6	4950-0304
R6-2RS - 9,53 x 22,23 x 7,14 mm	9,53	22,23	7,14	4950-0308
16100-2RS - 10 x 28x 8 mm	10	28	8	4950-0250
6000-2RS - 10 x 26 x 8 mm	10	26	8	4950-0251
6200-2RS - 10 x 30 x 9 mm	10	30	9	4950-0261
63800-2RS - 10 x 19 x 7 mm	10	19	7	4950-0270
6800-2RS - 10 x 19 x 5 mm	10	19	5	4950-0279
6900-2RS - 10 x 22 x 6 mm	10	22	6	4950-0294
16001-2RS - 12 x 28 x 7 mm	12	28	7	4950-0249
6001-2RS - 12 x 28 x 8 mm	12	28	8	4950-0252
6201-2RS - 12 x 32 x 10 mm	12	32	10	4950-0262
63801-2RS - 12 x 21 x 7 mm	12	21	7	4950-0271
6701-2RS - 12 x 18 x 4 mm	12	18	4	4950-0275
6801-2RS - 12 x 21 x 5 mm	12	21	5	4950-0280
6901-2RS - 12 x 24 x 6 mm	12	24	6	4950-0295
R8-2RS - 12,7 x 28,58 x 7,94 mm	12,7	28,58	7,94	4950-0309
6002-2RS - 15 x 32 x 9 mm	15	32	9	4950-0253
6202-2RS - 15 x 35 x 11 mm	15	35	11	4950-0263
63802-2RS - 15 x 24 x 7 mm	15	24	7	4950-0272
6702-2RS - 15 x 21 x 4 mm	15	21	4	4950-0276
6802-2RS - 15 x 24 x 5 mm	15	24	5	4950-0281
6902-2RS - 15 x 28 x 7 mm	15	28	7	4950-0296
15267-2RS - 15 x 26 x 7 mm	15	26	7	4950-0311

DESCRIPTION	INSIDE DIAMETER (IN MM)	OUTSIDE DIAMETER (IN MM)	WIDTH (IN MM)	PART #
6003-2RS - 17 x 35 x 10 mm	17	35	10	4950-0254
6203-2RS - 17 x 40 x 12 mm	17	40	12	4950-0264
63803-2RS - 17 x 26 x 7 mm	17	26	7	4950-0273
6803-2RS - 17 x 26 x 5 mm	17	26	5	4950-0282
6903-2RS - 17 x 30 x 7 mm	17	30	7	4950-0297
17287-2RS - 17 x 28 x 7 mm	17	28	7	4950-0312
18307-2RS - 18 x 30 x 7 mm	18	30	7	4950-0310
R12-2RS - 19,05 x 41,28 x 11,11 mm	19,05	41,28	11,11	4950-0305
6004-2RS - 20 x 42 x 12 mm	20	42	12	4950-0255
6204-2RS - 20 x 47 x 14 mm	20	47	14	4950-0265
6704-2RS - 20 x 27 x 4 mm	20	27	4	4950-0277
6804-2RS - 20 x 32 x 7 mm	20	32	7	4950-0283
6904-2RS - 20 x 37 x 9 mm	20	37	9	4950-0298
2437-2RS - 24 x 37 x 7 mm	24	37	7	4950-0313
63805-2RS - 25 x 37 x 10 mm	25	37	10	4950-0274
6805-2RS - 25 x 37 x 7 mm	25	37	7	4950-0284
6905-2RS - 25 x 42 x 9 mm	25	42	9	4950-0299
7806-2RS - 30 x 42 x 7 mm	30	42	7	4950-0175
6806-2RS - 30 x 42 x 7 mm	30	42	7	4950-0285
6906-2RS - 30 x 47 x 9 mm	30	47	9	4950-0300
6707-2RS - 35 x 44 x 5 mm	35	44	5	4950-0278
6807-2RS - 35 x 47 x 7 mm	35	47	7	4950-0286
6808-2RS - 40 x 52 x 7 mm	40	52	7	4950-0287
6809-2RS - 45 x 58 x 7 mm	45	58	7	4950-0288
6810-2RS - 50 x 65 x 7 mm	50	65	7	4950-0289





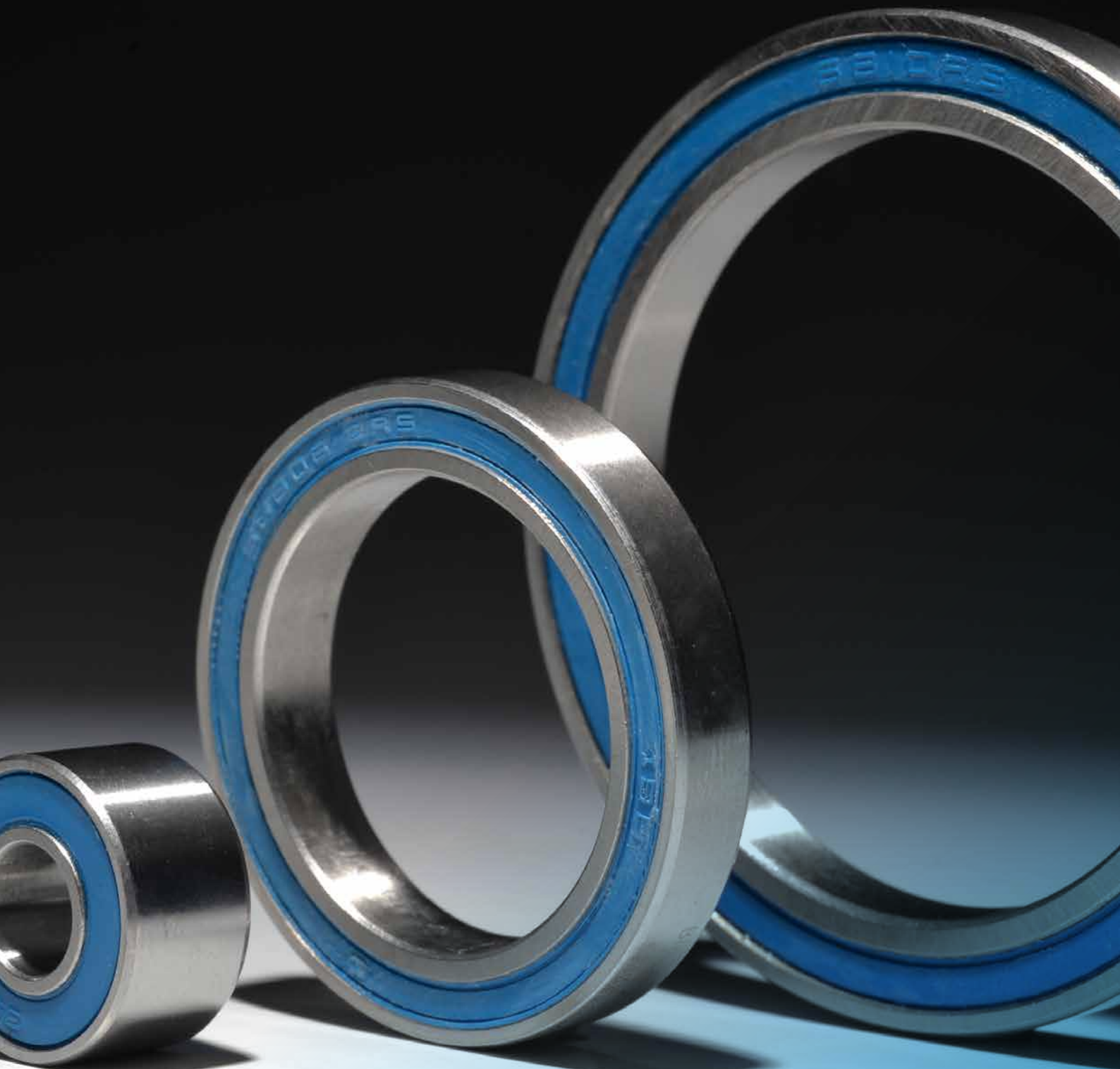
Max Bearings

- Bearings specially designed for frame joints
- Black bearings ARE PERFECTLY SUITED FOR OSCILLATION MOVEMENTS SUCH AS on the pivots of all-suspended VTT frames
- Bearing designed with more balls for a larger load capacity
- Recommended for frame suspension pivots
- A replacement bearing compatible with your original bearings

Technical characteristics:

- more marbles
- 2RS seals, Waterproof and dust sealing
- more grease than standard bearings
- mechanical strength > 30/40% compared to standards

DESCRIPTION	INSIDE DIAMETER (IN MM)	OUTSIDE DIAMETER (IN MM)	WIDTH (IN MM)	PART #
608-2RS - 8 x 22 x 7 mm	8	22	7	4950-0221
688-2RS - 8 x 16 x 5 mm	8	16	5	4950-0233
688-2RS/E - 8 x 16 x 5 / 6,5 mm	8	16	5 / 6.5	4950-0235
398-2RS/E - 8 x 19 x 10 / 11 mm	8	19	10 / 11	4950-0240
698-2RS/E - 8 x 19 x 6 / 7,5 mm	8	19	6 / 7.5	4950-0241
698-2RS - 8 x 19 x 6 mm	8	19	6	4950-0243
3800-2RS - 10 x 19 x 7 mm	10	19	7	4950-0214
6000-2RS - 10 x 26 x 8 mm	10	26	8	4950-0218
63800-2RS - 10 x 19 x 7 mm	10	19	7	4950-0222
6800-2RS - 10 x 19 x 5 mm	10	19	5	4950-0225
6900-2RS - 10 x 22 x 6 mm	10	22	6	4950-0234
7900-2RS - 10 x 22 x 6 mm	10	22	6	4950-0244
3001-2RS - 12 x 28 x 12 mm	12	28	12	4950-0213
6001-2RS - 12 x 28 x 8 mm	12	28	8	4950-0219
6801-2RS - 12 x 21 x 5 mm	12	21	5	4950-0226
6901-2RS - 12 x 24 x 6 mm	12	24	6	4950-0236
7901-2RS - 12 x 24 x 6 mm	12	24	6	4950-0245
3802-2RS - 15 x 24 x 7 mm	15	24	7	4950-0215
6002-2RS - 15 x 32 x 9 mm	15	32	9	4950-0220
63802-2RS - 15 x 24 x 7 mm	15	24	7	4950-0223
6802-2RS - 15 x 24 x 5 mm	15	24	5	4950-0227
6902-2RS - 15 x 28 x 7 mm	15	28	7	4950-0237
6902-2RS/E - 15 x 28 x 7 / 10 mm	15	28	7 / 10	4950-0242
7902-2RS - 15 x 28 x 7 mm	15	28	7	4950-0246
17286-2RS - 17 x 28 x 6 mm	17	28	6	4950-0209
3803-2RS - 17 x 26 x 10 mm	17	26	10	4950-0216
63803-2RS - 17 x 26 x 7 mm	17	26	7	4950-0224
6803-2RS - 17 x 26 x 5 mm	17	26	5	4950-0228
6903-2RS - 17 x 30 x 7 mm	17	30	7	4950-0238
19285-2RS - 19 x 28 x 5 mm	19	28	5	4950-0210
B539-2RS - 19,05 x 30,16 x 7,14 mm	19,05	30,16	7,14	4950-0247
3804-2RS - 20 x 32 x 10 mm	20	32	10	4950-0217
6804-2RS - 20 x 32 x 7 mm	20	32	7	4950-0229
6904-2RS - 20 x 37 x 9 mm	20	37	9	4950-0239
20307-2rs - 20 x 30 x 7 mm	20	30	7	4950-0248
215317-2RS - 21,5 x 31 x 7 mm	21,5	31	7	4950-0211
2153114-2RS - 21,5 x 31 x 14 mm	21,5	31	14	4950-0212
6805-2RS - 25 x 37 x 7 mm	25	37	7	4950-0230
6808-2RS - 40 x 52 x 7 mm	40	52	7	4950-0231
6809-2RS - 45 x 58 x 7 mm	45	58	7	4950-0232





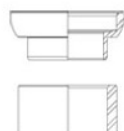
0410-0428



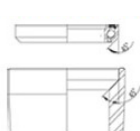
0410-0431



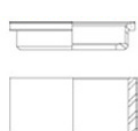
0410-0433



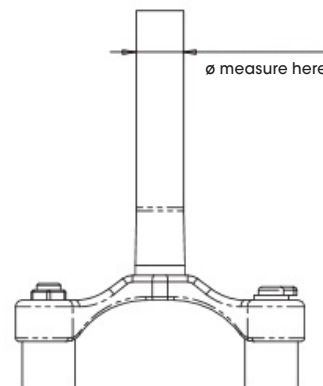
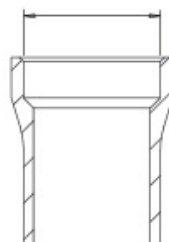
external



integrated



semi integrated



Upper Headset

DESCRIPTION	FRAME	PIVOT	PART #
UPPER HEADSET			
external	34 mm	1-1/8	0410-0428
	49 mm	1-1/8	0410-0429
	49 mm	1-1/2	0410-0430
integrated	41 mm	1-1/8	0410-0431
	42 mm	1-1/8	0410-0432

DESCRIPTION	FRAME	PIVOT	PART #
UPPER HEADSET (CONT.)			
semi integrated	44 mm	1-1/8	0410-0433
	56 mm	1-1/2	0410-0434
	56 mm	1-1/8	0410-0435



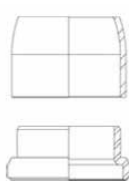
0410-0437



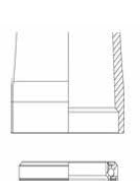
0410-0442



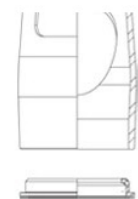
0410-0451



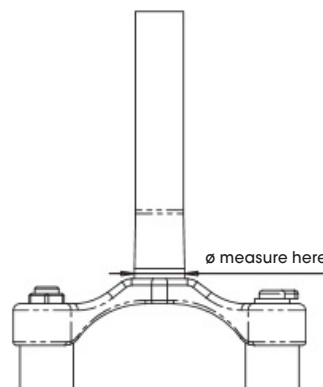
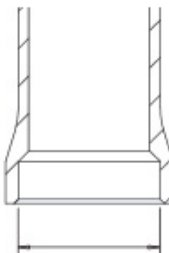
external



integrated



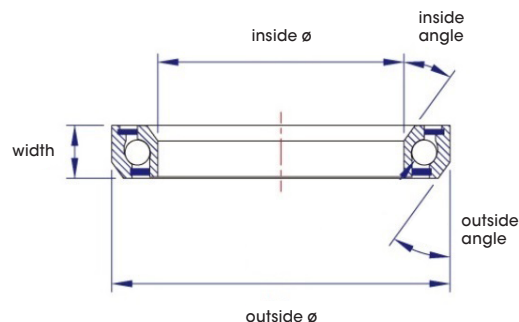
semi integrated



Lower Headset

DESCRIPTION	FRAME	PIVOT	PART #
LOWER HEADSET			
external	34 mm	1-1/8	0410-0436
	44 mm	1-1/2	0410-0437
	49 mm	1-1/8	0410-0438
	49 mm	1-1/2	0410-0439
	49 mm	1-1/2	0410-0439
integrated	41 mm	1-1/8	0410-0440
	42 mm	1-1/8	0410-0441
	47 mm	1-1/8	0410-0442
	47 mm	1-1/4	0410-0443
	52 mm	1-1/8	0410-0444
	52 mm	1-1/2	0410-0445

DESCRIPTION	FRAME	PIVOT	PART #
LOWER HEADSET (CONT.)			
semi integrated	44 mm	1-1/8	0410-0446
	49 mm	1-1/8	0410-0447
	55 mm	1-1/8	0410-0448
	55 mm	1-1/2	0410-0449
	56 mm	1-1/8	0410-0450
	56 mm	1-1/2	0410-0451



Headset Bearings

Technical characteristics:

- Steel (standard)
- "2RS" seals: Labyrinth seals with double lip of last generation. Better resistance to water and dust, combined with low friction.
- Ground raceways for better fluidity and longer life.
- Superior quality lubricant.
- High quality of marbles, label "abec 5".
- Maintains balls by metal cage.

DESCRIPTION	INSIDE DIAMETER (IN MM)	OUTSIDE DIAMETER (IN MM)	WIDTH (IN MM)	ANGLE	PART #
27.15 x 38 x 6.5 mm 36/45°	27,15	38	6,5	36/45°	0410-0381
30.05 x 42 x 7 mm 36°/45	30,05	42	7	36°/45	0410-0388
30.15 x 41 x 7 mm 45/45°	30,15	41	7	45/45°	0410-0382
30.15 x 41 x 6.5 / 7.1 mm 45°/90	30,15	41	6.5 / 7.1	45°/90	0410-0383
30.15 x 41 x 7.7 mm 36°/45	30,15	41	7,7	36°/45	0410-0384
30.15 x 41,5 x 6,5 mm 36°/36	30,15	41,5	6,5	36°/36	0410-0385
30.15 x 41,8 x 7 mm 36°/36	30,15	41,8	7	36°/36	0410-0386
30.15 x 41 x 6.5 mm 45/45°	30,15	41	6,5	45/45°	0410-0389
30.15 x 41 x 6.5 mm 36/45°	30,15	41	6,5	36/45°	0410-0390
30.15 x 39 x 6.5 mm 45/45°	30,15	39	6,5	45/45°	0410-0391
30.15 x 41,8 x 6.5 mm 45/45°	30,15	41,8	6,5	45/45°	0410-0392
30.15 x 41,8 x 7 mm 45/45°	30,15	41,8	7	45/45°	0410-0394
30.5 x 41,8 x 8 mm 36°/45	30,5	41,8	8	36°/45	0410-0387
30.5 x 41,8 x 8 mm 45/45°	30,5	41,8	8	45/45°	0410-0395
30.5 x 41,8 x 8 mm 45/45°	30,5	41,8	8	45/45°	0410-0396
30.5 x 41,8 x 7.7 mm 45/45°	30,5	41,8	7,7	45/45°	0410-0397
32.4 x 43,8 x 7 mm 45/45°	32,4	43,8	7	45/45°	0410-0409
32.8 x 41,8 x 6 mm 45/45°	32,8	41,8	6	45/45°	0410-0408
33 x 44 x 6 mm 36/45°	33	44	6	36/45°	0410-0400
33,05 x 43,8 x 7 mm 36/45°	33,05	43,8	7	36/45°	0410-0402
34.1 x 46,8 x 7 mm 45/45°	34,1	46,8	7	45/45°	0410-0398
34.1 x 46 x 7 mm 45/45°	34,1	46	7	45/45°	0410-0412
35 x 44 x 5,5 mm 36/45°	35	44	5,5	36/45°	0410-0401
35 x 45,3 x 7,3 mm 45/45°	35	45,3	7,3	45/45°	0410-0405
35 x 47 x 8 mm 45/45°	35	47	8	45/45°	0410-0407
35 x 47 x 7 mm 45/45°	35	47	7	45/45°	0410-0411
36,8 x 45,8 x 6,5 mm 45/45°	36,8	45,8	6,5	45/45°	0410-0403
37 x 49 x 6,5 mm 36/45°	37	49	6,5	36/45°	0410-0399
37 x 48 x 7 mm 45/90°	37	48	7	45/90°	0410-0404
37 x 49 x 7 mm 45/45°	37	49	7	45/45°	0410-0406
37 x 46,9 x 7 mm 45/45°	37	46,9	7	45/45°	0410-0410
39,7 x 50,8 x 7,14	39,7	50,8	7,14	-	0410-0393
40 x 51,8 x 8 mm 36/45°	40	51,8	8	36/45°	0410-0413
40 x 51,9 x 7 mm 45/45°	40	51,9	7	45/45°	0410-0414
40 x 51,5 x 7 mm 45/45°	40	51,5	7	45/45°	0410-0415
40 x 51,8 x 8 mm 45/45°	40	51,8	8	45/45°	0410-0416
40 x 52 x 7 mm 36/45°	40	52	7	36/45°	0410-0417
40 x 52 x 7 mm 45/45°	40	52	7	45/45°	0410-0420
40 x 52 x 8 mm 45/45°	40	52	8	45/45°	0410-0421
40 x 52 x 12 mm 45/45°	40	52	12	45/45°	0410-0422
40 x 52 x 6,5 mm 36/45°	40	52	6,5	36/45°	0410-0423
40 x 51 x 7 mm 45/45°	40	51	7	45/45°	0410-0424
40 x 51 x 6,5 mm 36/45°	40	51	6,5	36/45°	0410-0425
40 x 51,9 x 8 mm 45/45°	40	51,9	8	45/45°	0410-0426
40 x 50,8 x 7,14 45/90°	40	50,8	7,14	45/90°	0410-0427
40,5 x 49,5 x 6,5 mm 45/45°	40,5	49,5	6,5	45/45°	0410-0418
42 x 52 x 7 mm 45/45°	42	52	7	45/45°	0410-0419

E-Motor Service Kit & Parts - Yamaha / Panasonic



DESCRIPTION	PART #
YAMAHA	
service kit Yamaha PW & PW-SE	0961-0015
service kit Yamaha PW & PW-X	0961-0016



DESCRIPTION	PART #
PANASONIC	
service kit Panasonic 36V	0961-0028

E-Motor Service Kit & Parts - Brose



IMAGE MARK	DESCRIPTION	PART #
BROSE		
-	service kit Brose (contains 2, 3, 4, 5, 7, 8, 9)	0961-0027
1	Belt	0961-0021
2	Bearing	0961-0022
3	Bearing	0961-0023
4	Bearing	0961-0024
5	Bearing	0961-0017
6.1	Gasket for magesium case	0961-0018
6.2	Gasket for aluminium case	0961-0020
7	Fly wheel	0961-0025
8	Fly wheel	0961-0026
9	Needle Bearing	0961-0019



E-Motor Service Kit & Parts - Bosch Gen. 2

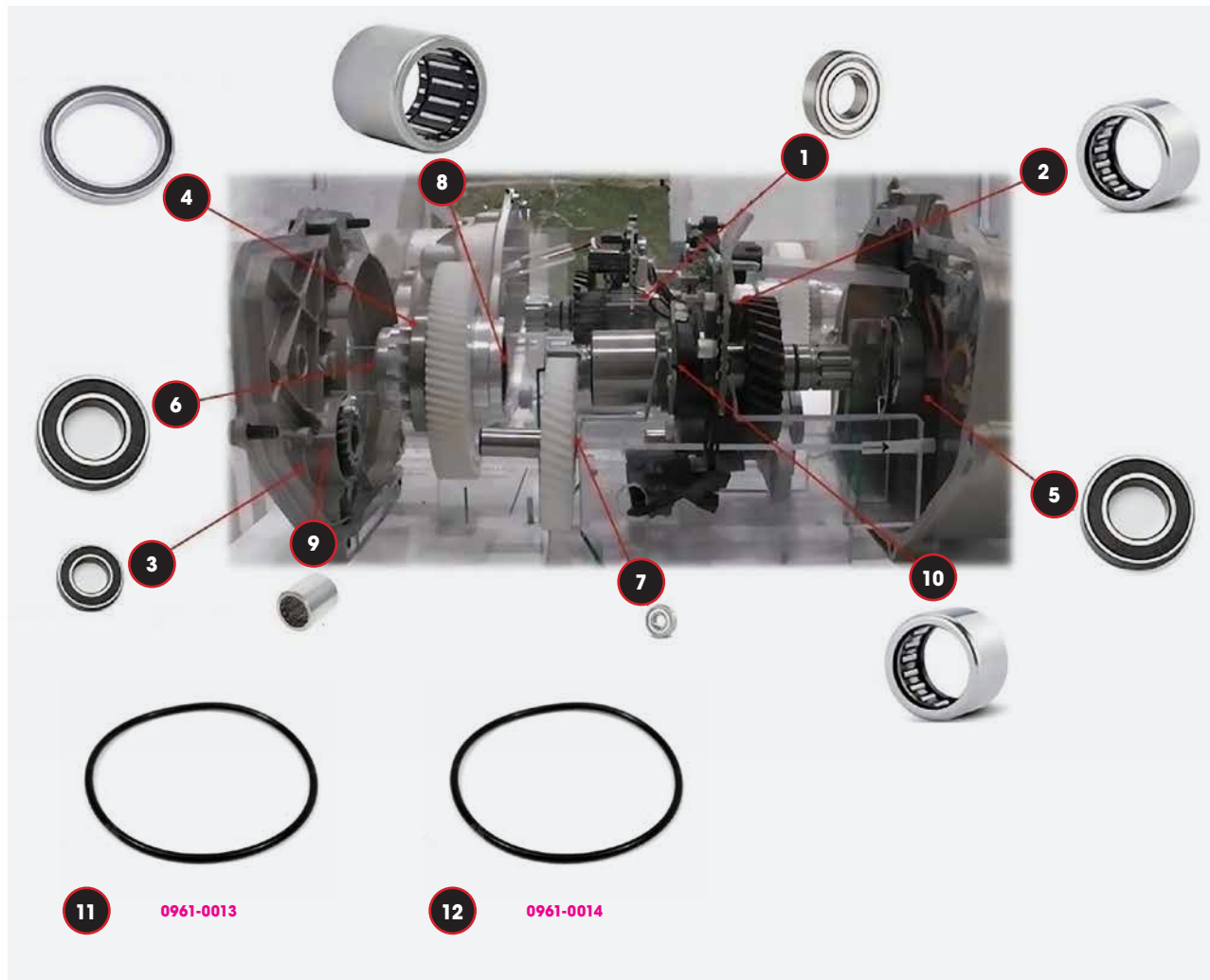


IMAGE MARK	DESCRIPTION	PART #
BOSCH GEN. 2		
-	service kit 1 (contains 1, 2, 3, 4, 5, 6, 7, 8, 9, 10, 11, 12)	0961-0001
-	service kit 2 (contains 4, 5, 6, 11, 12)	0961-0002
1	Bearing	0961-0003
2	Needle Bearing	0961-0004
3	Bearing	0961-0005
4	Bearing	0961-0006
5	Bearing	0961-0007

IMAGE MARK	DESCRIPTION	PART #
BOSCH GEN. 2		
6	Bearing	0961-0008
7	Bearing	0961-0009
8	Needle Bearing	0961-0010
9	Needle Bearing	0961-0011
10	Needle Bearing	0961-0012
11	O-ring 35 x 1,45 mm	0961-0013
12	O-ring 19 x 1,32 mm	0961-0014

service kit 1



0961-0001

service kit 2



0961-0002

E-Motor Service Kit & Parts – Bosch Gen. 3

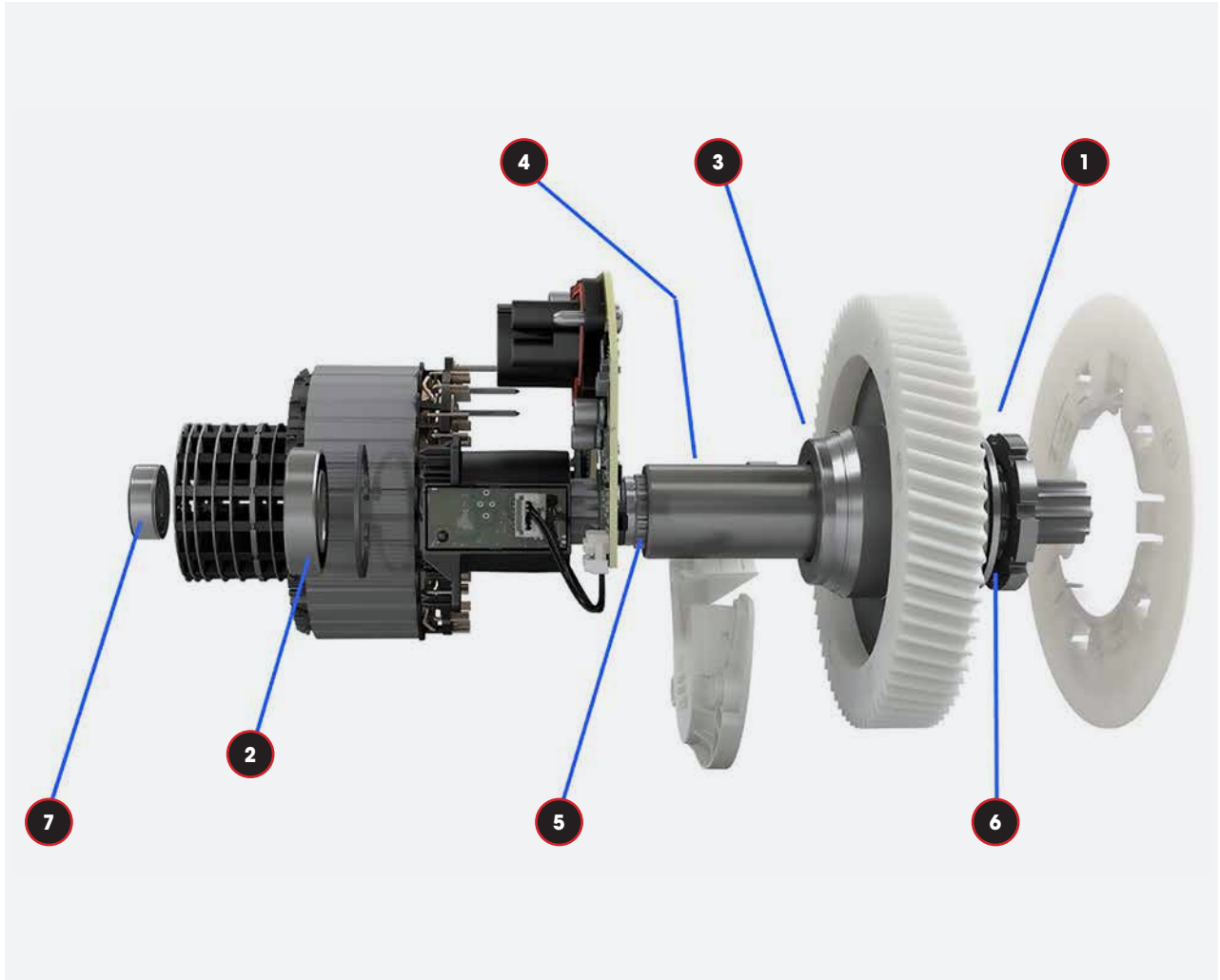


IMAGE MARK	DESCRIPTION	PART #
BOSCH GEN. 3		
-	service kit (contains 1, 2, 3, 4, 5, 6, 7)	0961-0029
1	Bearing	0961-0030
2	Bearing	0961-0031
3	Needle Bearing	0961-0032
4	Bearing	0961-0033
5	O-ring	0961-0034
6	O-ring	0961-0035
7	Bearing	0961-0036



E-Motor Service Kit & Parts - Bosch Gen. 4

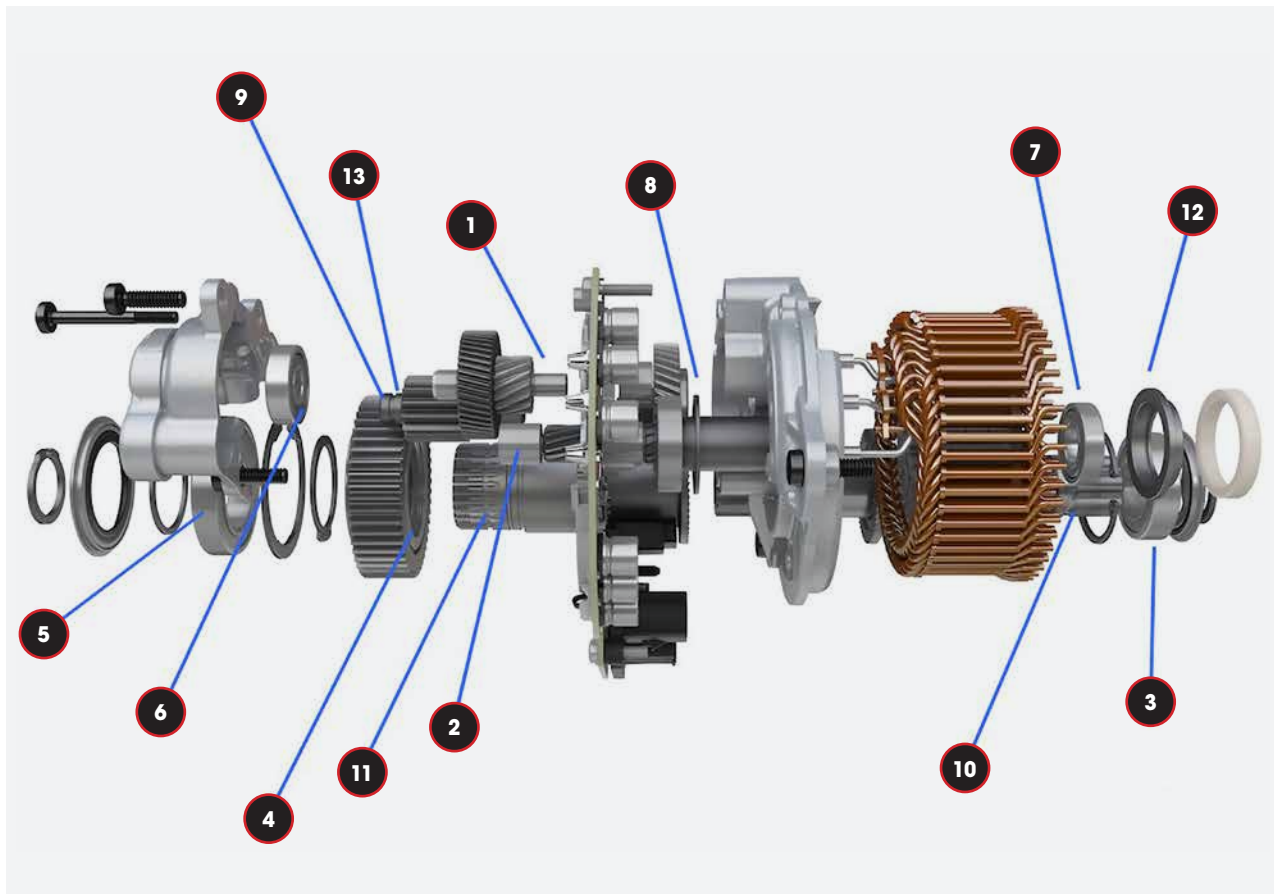


IMAGE MARK	DESCRIPTION	PART #
BOSCH GEN. 4		
-	service kit (contains 1, 2, 3, 4, 5, 6, 7, 8, 9, 10, 11, 12, 13)	0961-0037
1	Needle Bearing	0961-0038
2	Needle Bearing	0961-0039
3	Bearing	0961-0040
4	Fly wheel	0961-0041
5	Bearing	0961-0042
6	Bearing	0961-0043
7	Bearing	0961-0044
8	Bearing	0961-0045
9	O-ring	0961-0046
10	O-ring	0961-0047
11	O-ring	0961-0048
12	O-ring	0961-0049
13	Bearing	0961-0050





Assembly Press "Press1"

- Our press allows the assembly of about 50 different models of bearings
- It is a set of 7 aluminum spacers, 2 plastic spacers and bolts

DESCRIPTION

Assembly Press "TO-PRESS1"

PART #

3812-0718



Blind Hole Puller Set "Puller1":

- This tool allows an easy extraction of the bearings!
- It is a set of 8 pullers with different dimensions and a rod lead
- Compatible wheel, crankset, frame...
- Allows the dismounting of bearings with an internal diameter of 8 to 30 mm (from mtb frame pivot bearing to bb30 crankset)

DESCRIPTION

Blind Hole Puller Set "TO-PULLER1"

PART #

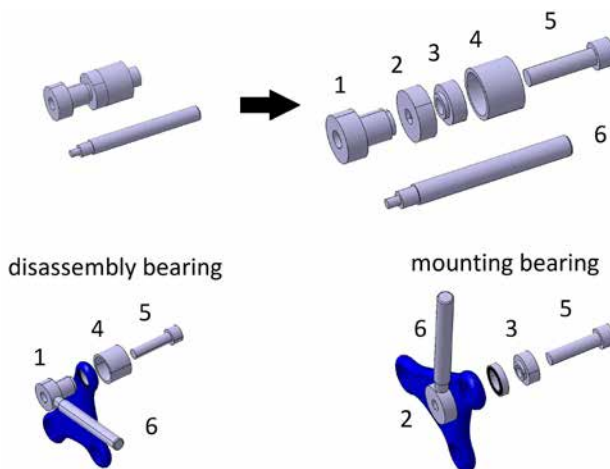
3812-0719



Bearings Assembly Press "Press2"

- Did you know that 50% of bearing damage is caused by improper assembly?
- Assembly is an essential step to ensure the proper functioning of your bearing
- The Blackbearing press is made up of 34 CNC machined and anodized aluminum shims
- Professional use

DESCRIPTION	PART #
Bearings Assembly Press "TO-PRESS2"	3812-0720



Bearing Assembly and Disassembly Box

- Disassembly and assembly case for frame pivot bearings
- Only for frame pivot bearings, does not work with wheels and bottom brackets

DESCRIPTION	PART #
Bearing Assembly and Disassembly Box "TO-FRAME1"	3812-0721



Tool Headset

- Measuring the angle of Direction
- This stainless steel tool is used to measure the angle of the headset's bearings
- There are 4 measure points: 36° and 45° inside and 36° and 45° outside

DESCRIPTION	PART #
TOOLHEADSET	3812-0722



3805-0227

3805-0228

3805-0229

3805-0230

3805-0231



Fork Seal Fitting Tool

- This plastic tool is compatible for all brands of fork
- Available in dimension: 32 mm, 34 mm, 35/36 mm, 38 mm, 40 mm

DESCRIPTION	PART #	DESCRIPTION	PART #	DESCRIPTION	PART #
32 mm, MTB32TO	3805-0227	35/36 mm, MTB35/36TO	3805-0229	40 mm, MTB40TO	3805-0231
34 mm, MTB34TO	3805-0228	38 mm, MTB38TO	3805-0230		



Distributed by:

PARTS
EUROPE

Tel.: +49 (0) 6501 9695 - 2000
Fax: +49 (0) 6501 9695 - 2650
E-Mail: sales@partseurope.eu
Web: www.partseurope.eu